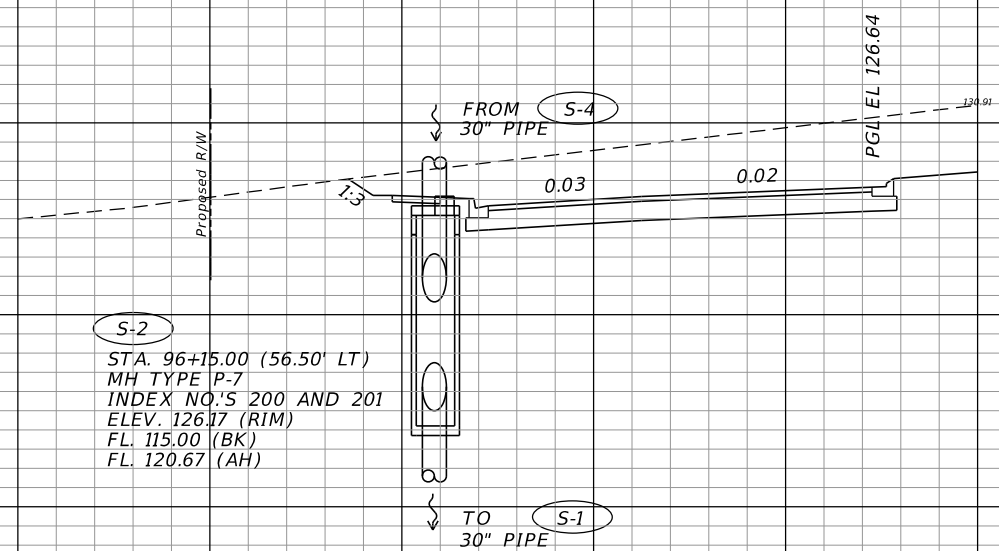


GENERAL NOTES

1. SPECIAL ATTENTION IS DIRECTED TO THE FACT THAT PORTIONS OF SOME DRAINAGE STRUCTURES EXTEND INTO THE STABILIZED PORTION OF THE ROADBED AND EXTREME CAUTION WILL BE NECESSARY IN STABILIZATION OPERATIONS AT THESE LOCATIONS.
2. ALL DRAINAGE STRUCTURES HAVE OPTIONAL MATERIALS. THE OPTIONAL MATERIALS TABULATION SHEET(S) SHOWS ALL MATERIALS ALLOWED AS WELL AS INDICATING WHICH MATERIAL IS PLOTTED ON THESE SHEETS AND USED AS BASIS FOR PAY QUANTITIES.

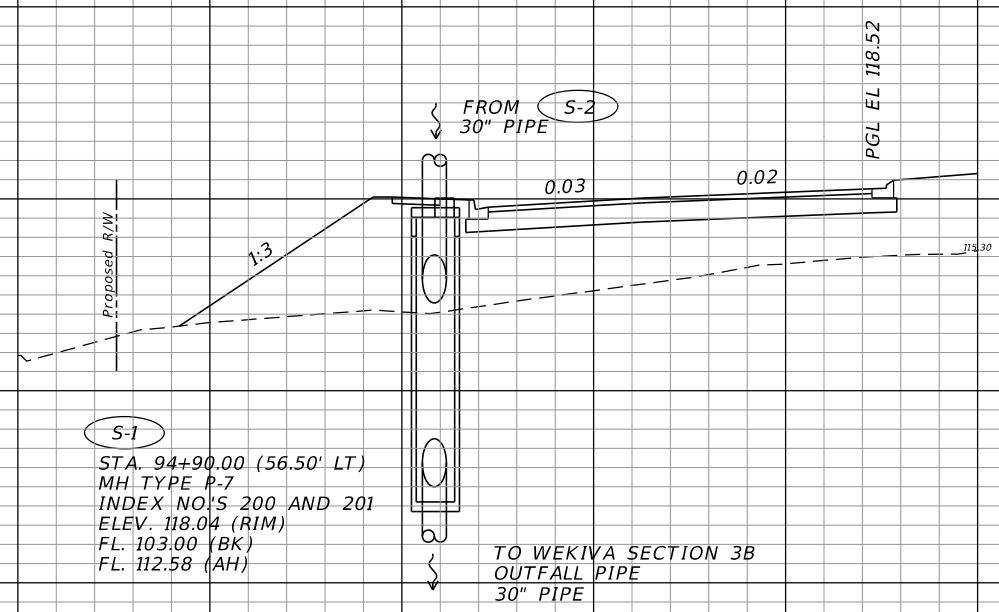
142
140
138
136
134
132
130
128
126
124
122
120
118
116
114
112
110

128
126
124
122
120
118
116
114
112
110
108
106
104
102
100
98



S-2
STA. 96+15.00 (56.50' LT)
MH TYPE P-7
INDEX NO.'S 200 AND 201
ELEV. 126.17 (RIM)
FL. 115.00 (BK)
FL. 120.67 (AH)

S-2
96+15.00



S-1
STA. 94+90.00 (56.50' LT)
MH TYPE P-7
INDEX NO.'S 200 AND 201
ELEV. 118.04 (RIM)
FL. 103.00 (BK)
FL. 112.58 (AH)

TO WEKIVA SECTION 3B
OUTFALL PIPE
30" PIPE

S-1
94+90.00

SCALE
1" = 20' Horizontal
1" = 10' Vertical

140 120 100 80 60 40 20 0 20 40 60 80 100

REVISIONS				LOCHRANE ENGINEERING, INC. 201 SOUTH BUMBY AVENUE ORLANDO, FLORIDA 32803 (407) 896-3317 RICHARD D. BOBLETZ, P.E. P.E. NUMBER 40049 CERTIFICATE OF AUTHORIZATION NO. 2856	STATE OF FLORIDA DEPARTMENT OF TRANSPORTATION			DRAINAGE STRUCTURES SR 46	SHEET NO. 69
DATE	DESCRIPTION	DATE	DESCRIPTION		ROAD NO.	COUNTY	FINANCIAL PROJECT ID		
				46	LAKE	238275-3-52-01			

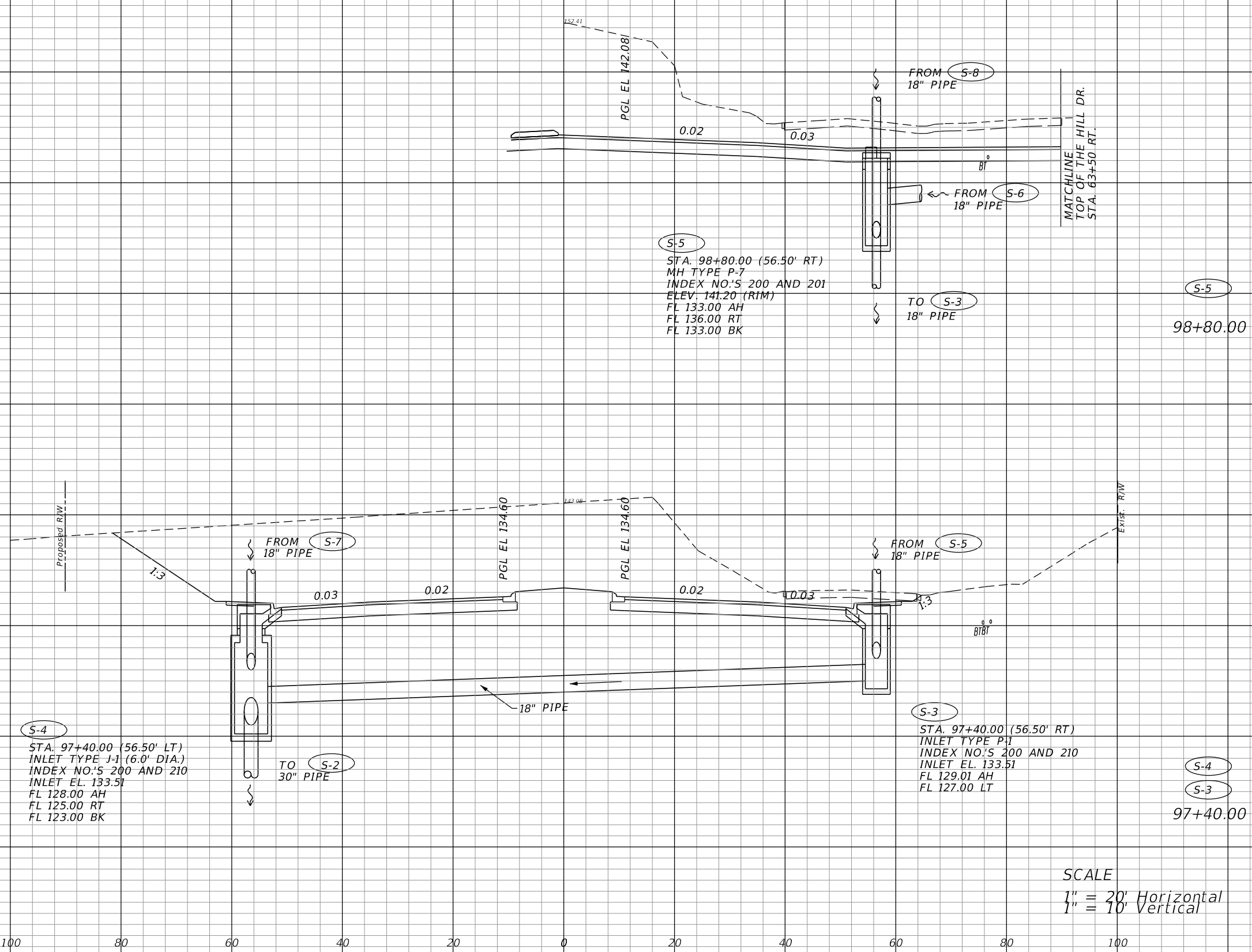
NOTICE: THE OFFICIAL RECORD OF THIS SHEET IS THE ELECTRONIC FILE SIGNED AND SEALED UNDER RULE 61G15-23.003, F.A.C.

158
156
154
152
150
148
146
144
142
140
138
136
134
132
130
128
126
124
122

146
144
142
140
138
136
134
132
130
128
126
124
122

146
144
142
140
138
136
134
132
130
128
126
124
122

120
118
116
114
112

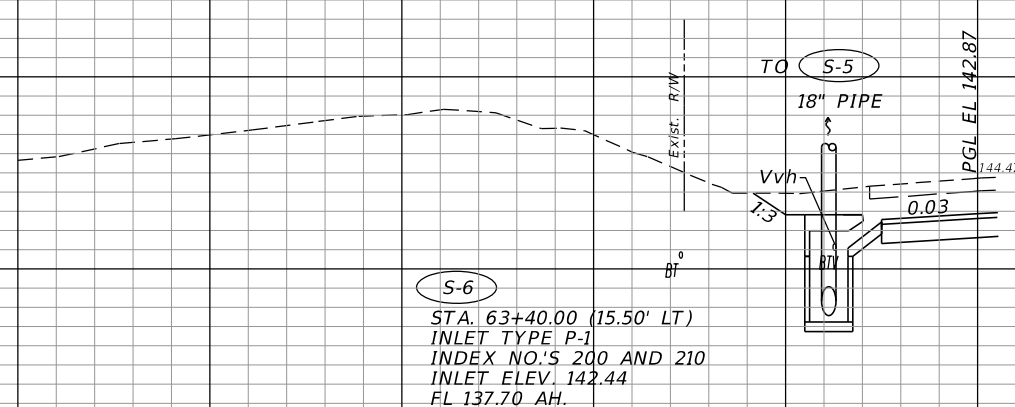


SCALE
1" = 20' Horizontal
1" = 10' Vertical

REVISIONS		DESCRIPTION		LOCHRANE ENGINEERING, INC. 201 SOUTH BUMBY AVENUE ORLANDO, FLORIDA 32803 (407) 896-3317 RICHARD D. BOBLETZ, P.E. P.E. NUMBER 40049 CERTIFICATE OF AUTHORIZATION NO. 2856	STATE OF FLORIDA DEPARTMENT OF TRANSPORTATION			DRAINAGE STRUCTURES SR 46	SHEET NO. 70
DATE	DESCRIPTION	DATE	DESCRIPTION		ROAD NO.	COUNTY	FINANCIAL PROJECT ID		
					46	LAKE	238275-3-52-01		

NOTICE: THE OFFICIAL RECORD OF THIS SHEET IS THE ELECTRONIC FILE SIGNED AND SEALED UNDER RULE 61G15-23.003, F.A.C.

156
154
152
150
148
146
144
142
140
138
136
134
132
130
128



S-6
 STA. 63+40.00 (15.50' LT)
 INLET TYPE P-1
 INDEX NO.'S 200 AND 210
 INLET ELEV. 142.44
 FL 137.70 AH.

S-6
 63+40.00

SCALE
 1" = 20' Horizontal
 1" = 10' Vertical

← C CONST. TOP OF THE HILL RD.

140 120 100 80 60 40 20 0 20 40 60 80 100

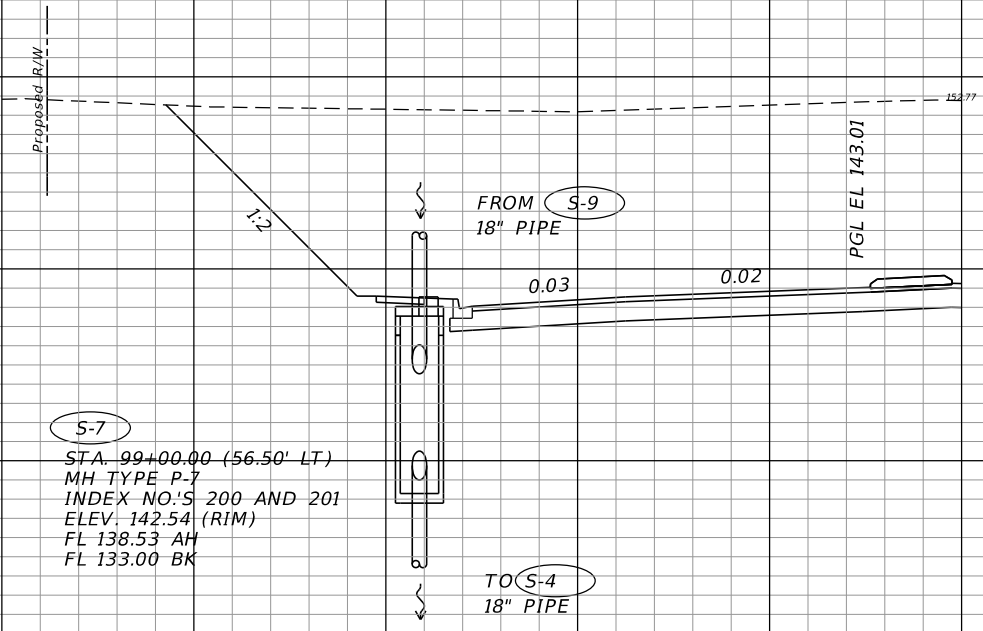
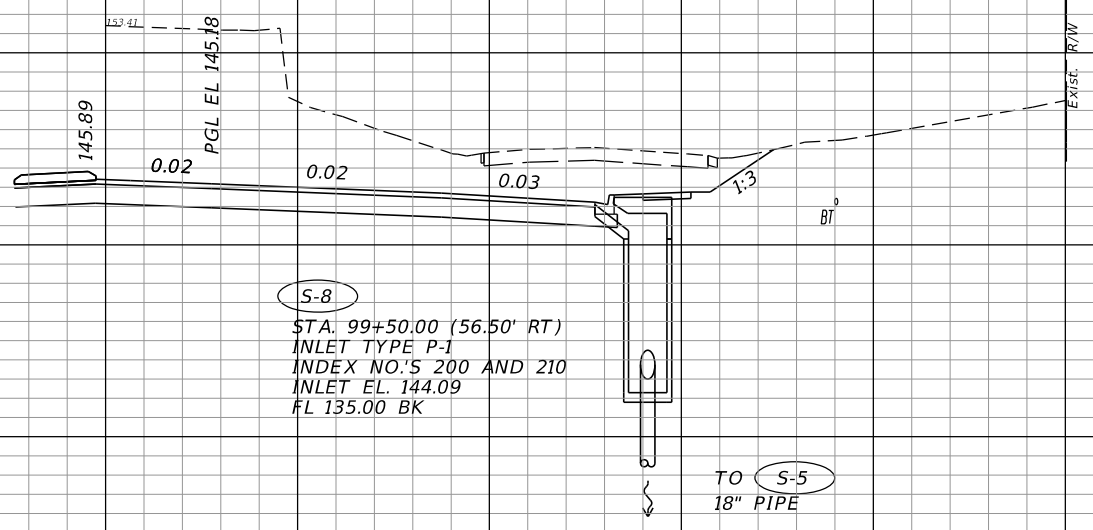
<table border="1"> <thead> <tr> <th colspan="2">REVISIONS</th> </tr> <tr> <th>DATE</th> <th>DESCRIPTION</th> </tr> </thead> <tbody> <tr> <td> </td> <td> </td> </tr> </tbody> </table>		REVISIONS		DATE	DESCRIPTION			LOCHRANE ENGINEERING, INC. 201 SOUTH BUMBY AVENUE ORLANDO, FLORIDA 32803 (407) 896-3317 RICHARD D. BOBLETZ, P.E. P.E. NUMBER 40049 CERTIFICATE OF AUTHORIZATION NO. 2856	STATE OF FLORIDA DEPARTMENT OF TRANSPORTATION	<table border="1"> <thead> <tr> <th>ROAD NO.</th> <th>COUNTY</th> <th>FINANCIAL PROJECT ID</th> </tr> </thead> <tbody> <tr> <td>46</td> <td>LAKE</td> <td>238275-3-52-01</td> </tr> </tbody> </table>	ROAD NO.	COUNTY	FINANCIAL PROJECT ID	46	LAKE	238275-3-52-01	<p align="center">DRAINAGE STRUCTURES TOP OF THE HILL</p>	<table border="1"> <tr> <td>SHEET NO.</td> </tr> <tr> <td align="center">71</td> </tr> </table>	SHEET NO.	71
REVISIONS																				
DATE	DESCRIPTION																			
ROAD NO.	COUNTY	FINANCIAL PROJECT ID																		
46	LAKE	238275-3-52-01																		
SHEET NO.																				
71																				

NOTICE: THE OFFICIAL RECORD OF THIS SHEET IS THE ELECTRONIC FILE SIGNED AND SEALED UNDER RULE 61G15-23.003, F.A.C.

160
158
156
154
152
150
148
146
144
142
140
138
136
134
132
130
128
126

158
156
154
152
150
148
146
144
142
140
138
136
134
132
130
128
126
124

140 120 100 80 60 40 20 0 20 40 60 80 100



SCALE
1" = 20' Horizontal
1" = 10' Vertical

REVISIONS			
DATE	DESCRIPTION	DATE	DESCRIPTION

LOCHRANE ENGINEERING, INC.
201 SOUTH BUMBY AVENUE
ORLANDO, FLORIDA 32803
(407) 896-3317
RICHARD D. BOBLETZ, P.E.
P.E. NUMBER 40049
CERTIFICATE OF AUTHORIZATION NO. 2856

STATE OF FLORIDA DEPARTMENT OF TRANSPORTATION		
ROAD NO.	COUNTY	FINANCIAL PROJECT ID
46	LAKE	238275-3-52-01

DRAINAGE STRUCTURES
SR 46

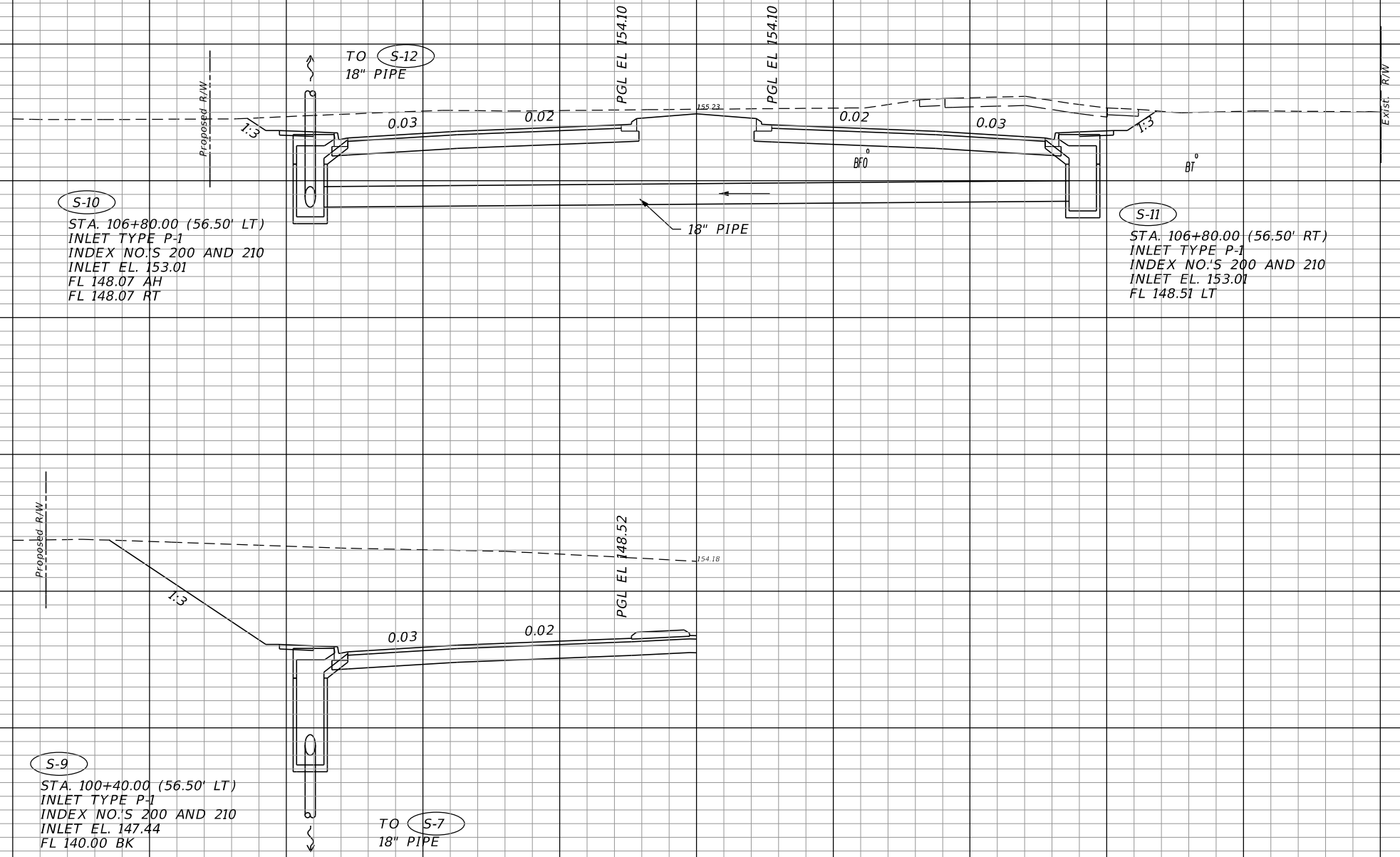
SHEET NO.
72

NOTICE: THE OFFICIAL RECORD OF THIS SHEET IS THE ELECTRONIC FILE SIGNED AND SEALED UNDER RULE 61G15-23.003, F.A.C.

164
162
160
158
156
154
152
150
148
146
144
142
140

162
160
158
156
154
152
150
148
146
144
142
140
138
136
134
132

140 120 100 80 60 40 20 0 20 40 60 80 100



SCALE
1" = 20' Horizontal
1" = 10' Vertical

REVISIONS			
DATE	DESCRIPTION	DATE	DESCRIPTION

LOCHRANE ENGINEERING, INC.
201 SOUTH BUMBY AVENUE
ORLANDO, FLORIDA 32803
(407) 896-3317
RICHARD D. BOBLETZ, P.E.
P.E. NUMBER 40049
CERTIFICATE OF AUTHORIZATION NO. 2856

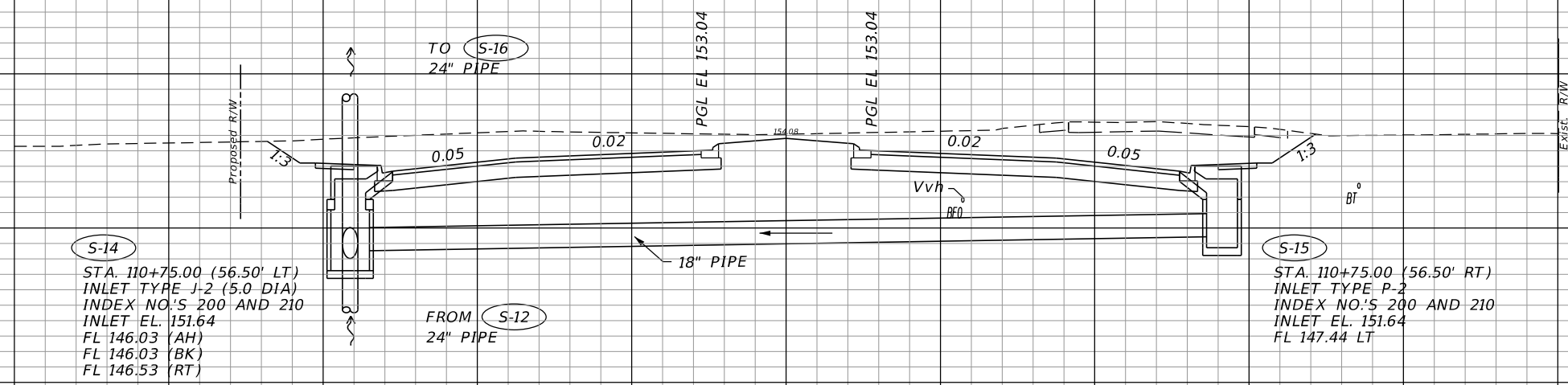
STATE OF FLORIDA DEPARTMENT OF TRANSPORTATION		
ROAD NO.	COUNTY	FINANCIAL PROJECT ID
46	LAKE	238275-3-52-01

DRAINAGE STRUCTURES
SR 46

SHEET NO.
73

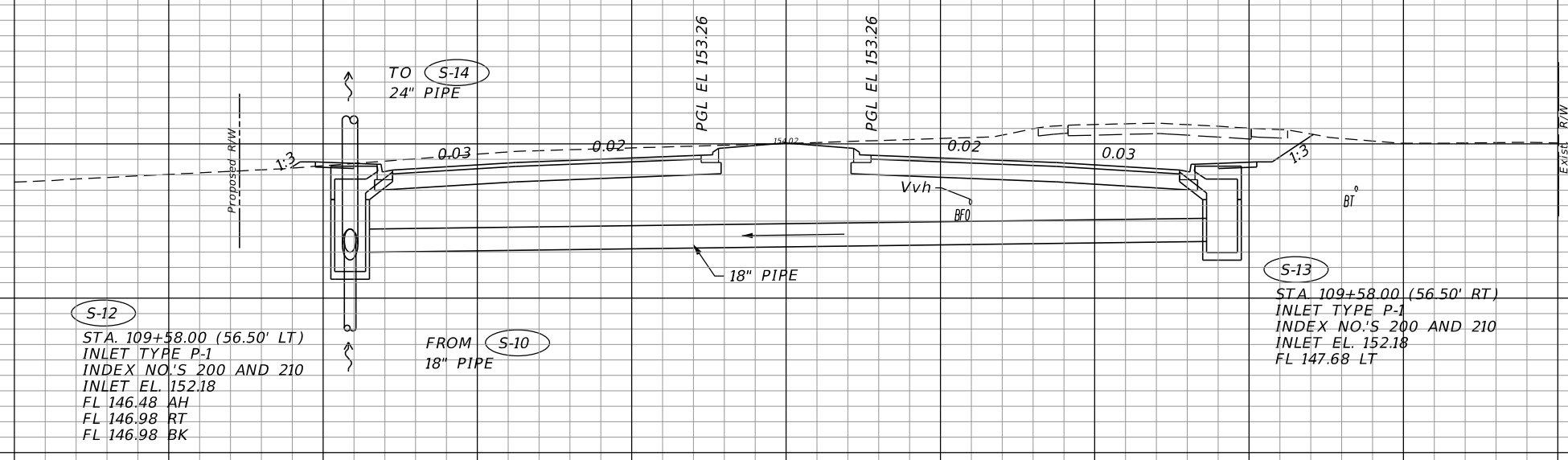
NOTICE: THE OFFICIAL RECORD OF THIS SHEET IS THE ELECTRONIC FILE SIGNED AND SEALED UNDER RULE 61G15-23.003, F.A.C.

164
162
160
158
156
154
152
150
148
146
144
142
140
138



S-14
S-15
110+75.00

164
162
160
158
156
154
152
150
148
146
144
142
140
138
136
134



S-12
S-13
109+58.00

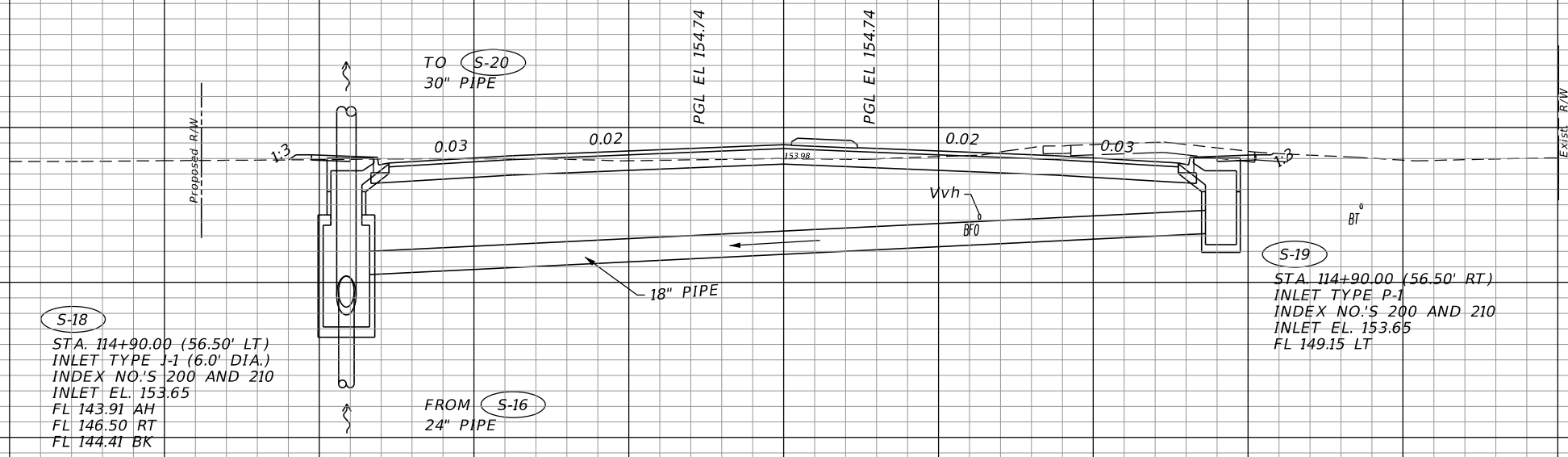
SCALE
1" = 20' Horizontal
1" = 10' Vertical

140 120 100 80 60 40 20 0 20 40 60 80 100

REVISIONS		DESCRIPTION		LOCHRANE ENGINEERING, INC. 201 SOUTH BUMBY AVENUE ORLANDO, FLORIDA 32803 (407) 896-3317 RICHARD D. BOBLETZ, P.E. P.E. NUMBER 40049 CERTIFICATE OF AUTHORIZATION NO. 2856	STATE OF FLORIDA DEPARTMENT OF TRANSPORTATION			DRAINAGE STRUCTURES SR 46	SHEET NO. 74
DATE	DESCRIPTION	DATE	DESCRIPTION		ROAD NO.	COUNTY	FINANCIAL PROJECT ID		
					46	LAKE	238275-3-52-01		

NOTICE: THE OFFICIAL RECORD OF THIS SHEET IS THE ELECTRONIC FILE SIGNED AND SEALED UNDER RULE 61G15-23.003, F.A.C.

164
162
160
158
156
154
152
150
148
146
144
142
140
138
136
134

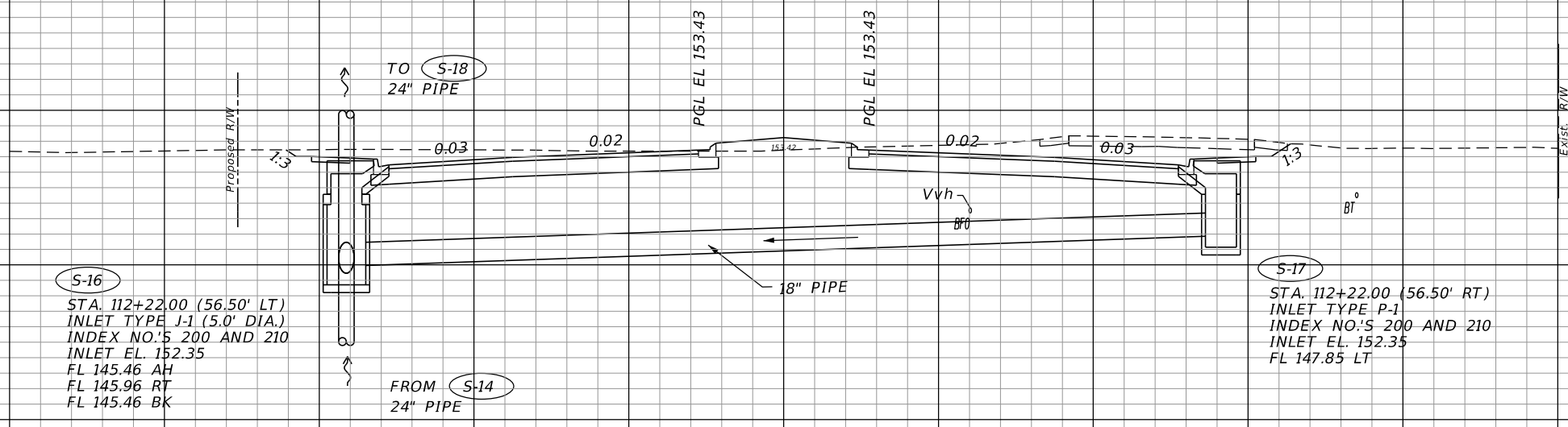


S-18
STA. 114+90.00 (56.50' LT)
INLET TYPE J-1 (6.0' DIA.)
INDEX NO.'S 200 AND 210
INLET EL. 153.65
FL 143.91 AH
FL 146.50 RT
FL 144.41 BK

S-19
STA. 114+90.00 (56.50' RT)
INLET TYPE P-1
INDEX NO.'S 200 AND 210
INLET EL. 153.65
FL 149.15 LT

S-18
S-19
114+90.00

164
162
160
158
156
154
152
150
148
146
144
142
140
138
136



S-16
STA. 112+22.00 (56.50' LT)
INLET TYPE J-1 (5.0' DIA.)
INDEX NO.'S 200 AND 210
INLET EL. 152.35
FL 145.46 AH
FL 145.96 RT
FL 145.46 BK

S-17
STA. 112+22.00 (56.50' RT)
INLET TYPE P-1
INDEX NO.'S 200 AND 210
INLET EL. 152.35
FL 147.85 LT

S-16
S-17
112+22.00

SCALE
1" = 20' Horizontal
1" = 10' Vertical

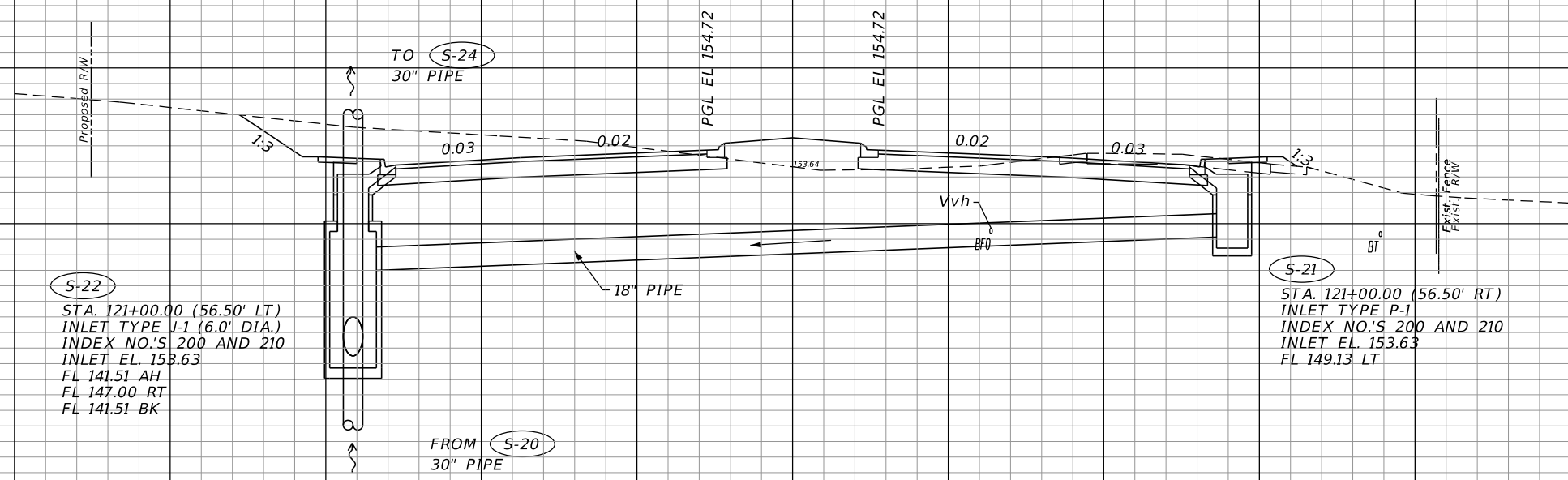
140 120 100 80 60 40 20 0 20 40 60 80 100

REVISIONS		DESCRIPTION		LOCHRANE ENGINEERING, INC. 201 SOUTH BUMBY AVENUE ORLANDO, FLORIDA 32803 (407) 896-3317 RICHARD D. BOBLETZ, P.E. P.E. NUMBER 40049 CERTIFICATE OF AUTHORIZATION NO. 2856	STATE OF FLORIDA DEPARTMENT OF TRANSPORTATION			DRAINAGE STRUCTURES SR 46	SHEET NO. 75
DATE	DESCRIPTION	DATE	DESCRIPTION		ROAD NO.	COUNTY	FINANCIAL PROJECT ID		
					46	LAKE	238275-3-52-01		

NOTICE: THE OFFICIAL RECORD OF THIS SHEET IS THE ELECTRONIC FILE SIGNED AND SEALED UNDER RULE 61G15-23.003, F.A.C.

164
162
160
158
156
154
152
150
148
146
144
142
140
138
136
134
132

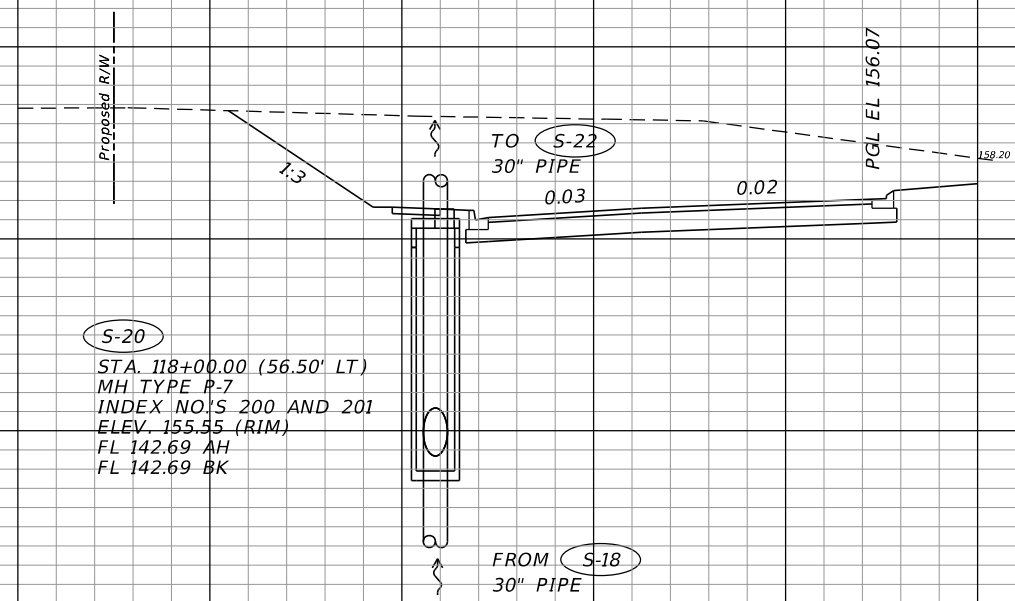
166
164
162
160
158
156
154
152
150
148
146
144
142
140
138
136
134



S-22
 STA. 121+00.00 (56.50' LT)
 INLET TYPE J-1 (6.0' DIA.)
 INDEX NO.'S 200 AND 210
 INLET EL. 153.63
 FL 141.51 AH
 FL 147.00 RT
 FL 141.51 BK

S-21
 STA. 121+00.00 (56.50' RT)
 INLET TYPE P-1
 INDEX NO.'S 200 AND 210
 INLET EL. 153.63
 FL 149.13 LT

S-21
S-22
 121+00.00



S-20
 STA. 118+00.00 (56.50' LT)
 MH TYPE P-7
 INDEX NO.'S 200 AND 201
 ELEV. 155.55 (RIM)
 FL 142.69 AH
 FL 142.69 BK

S-20
 118+00.00

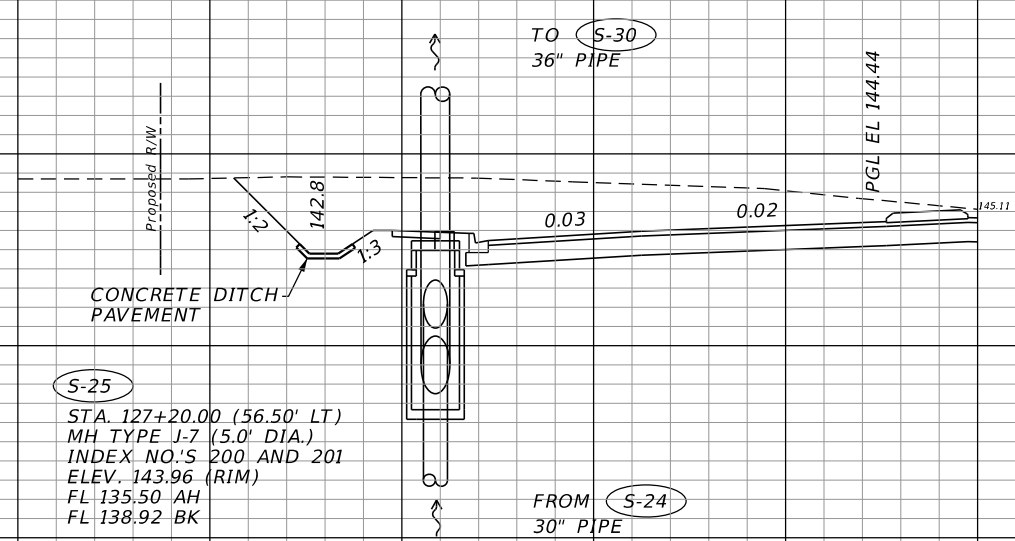
SCALE
 1" = 20' Horizontal
 1" = 10' Vertical

140 120 100 80 60 40 20 0 20 40 60 80 100

REVISIONS		DESCRIPTION		LOCHRANE ENGINEERING, INC. 201 SOUTH BUMBY AVENUE ORLANDO, FLORIDA 32803 (407) 896-3317 RICHARD D. BOBLETZ, P.E. P.E. NUMBER 40049 CERTIFICATE OF AUTHORIZATION NO. 2856	STATE OF FLORIDA DEPARTMENT OF TRANSPORTATION			DRAINAGE STRUCTURES SR 46	SHEET NO. 76
DATE	DESCRIPTION	DATE	DESCRIPTION		ROAD NO.	COUNTY	FINANCIAL PROJECT ID		
					46	LAKE	238275-3-52-01		

NOTICE: THE OFFICIAL RECORD OF THIS SHEET IS THE ELECTRONIC FILE SIGNED AND SEALED UNDER RULE 61G15-23.003, F.A.C.

156
154
152
150
148
146
144
142
140
138
136
134
132
130
128
126



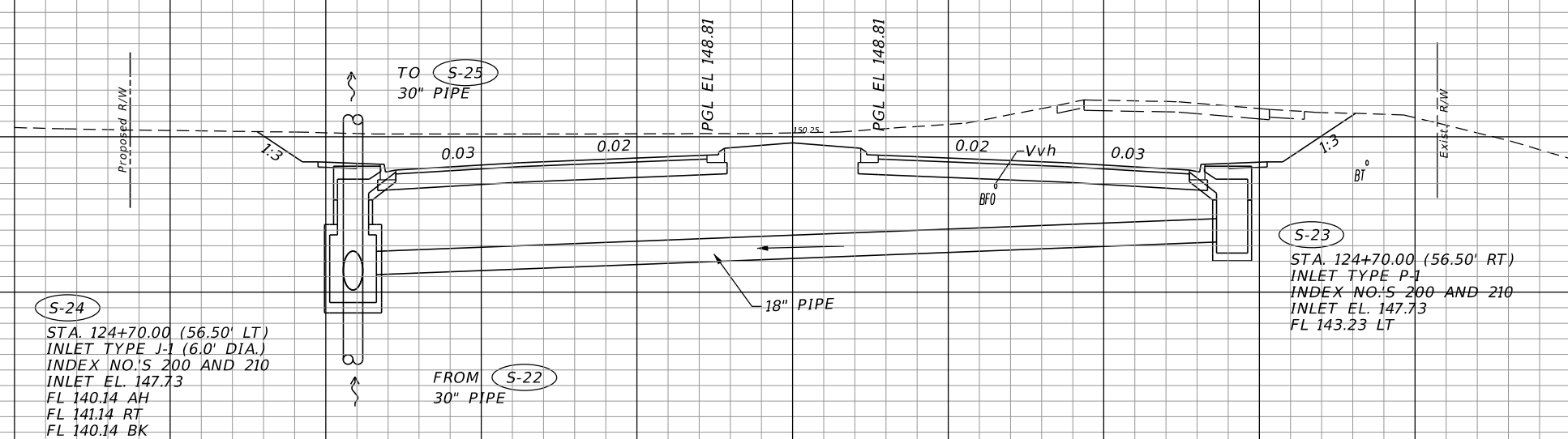
S-25
STA. 127+20.00 (56.50' LT)
MH TYPE J-7 (5.0' DIA.)
INDEX NO.'S 200 AND 201
ELEV. 143.96 (RIM)
FL 135.50 AH
FL 138.92 BK

TO **S-30**
36" PIPE

FROM **S-24**
30" PIPE

S-25
127+20.00

158
156
154
152
150
148
146
144
142
140
138
136
134
132
130



S-24
STA. 124+70.00 (56.50' LT)
INLET TYPE J-1 (6.0' DIA.)
INDEX NO.'S 200 AND 210
INLET EL. 147.73
FL 140.14 AH
FL 141.14 RT
FL 140.14 BK

TO **S-25**
30" PIPE

FROM **S-22**
30" PIPE

S-23
STA. 124+70.00 (56.50' RT)
INLET TYPE P-1
INDEX NO.'S 200 AND 210
INLET EL. 147.73
FL 143.23 LT

S-23
S-24
124+70.00

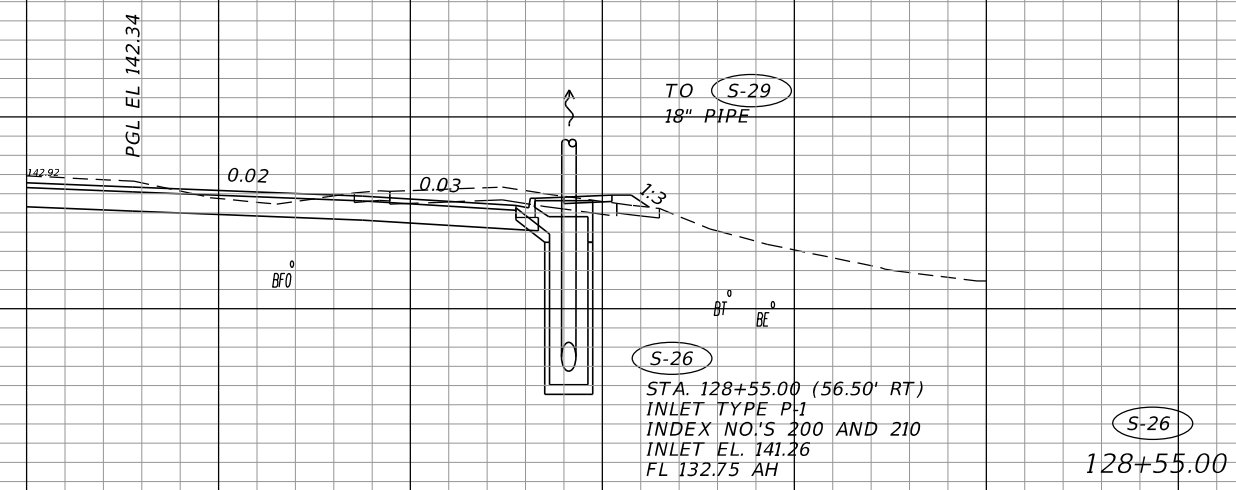
SCALE
1" = 20' Horizontal
1" = 10' Vertical

140 120 100 80 60 40 20 0 20 40 60 80 100

REVISIONS		DESCRIPTION		LOCHRANE ENGINEERING, INC. 201 SOUTH BUMBY AVENUE ORLANDO, FLORIDA 32803 (407) 896-3317 RICHARD D. BOBLETZ, P.E. P.E. NUMBER 40049 CERTIFICATE OF AUTHORIZATION NO. 2856	STATE OF FLORIDA DEPARTMENT OF TRANSPORTATION			DRAINAGE STRUCTURES SR 46	SHEET NO. 77
DATE	DESCRIPTION	DATE	DESCRIPTION		ROAD NO.	COUNTY	FINANCIAL PROJECT ID		
					46	LAKE	238275-3-52-01		

NOTICE: THE OFFICIAL RECORD OF THIS SHEET IS THE ELECTRONIC FILE SIGNED AND SEALED UNDER RULE 61G15-23.003, F.A.C.

152
150
148
146
144
142
140
138
136
134
132
130
128
126



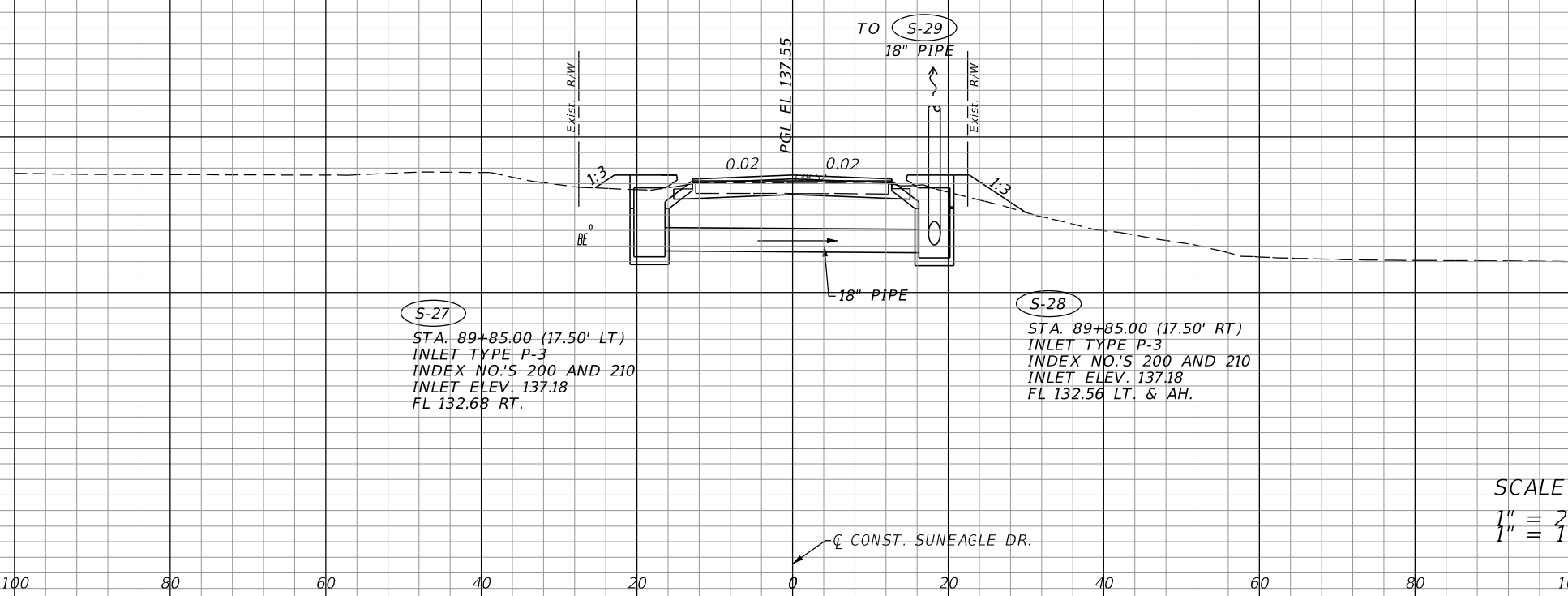
SCALE
1" = 20' Horizontal
1" = 10' Vertical

140 120 100 80 60 40 20 0 20 40 60 80 100

REVISIONS		LOCHRANE ENGINEERING, INC. 201 SOUTH BUMBY AVENUE ORLANDO, FLORIDA 32803 (407) 896-3317 RICHARD D. BOBLETZ, P.E. P.E. NUMBER 40049 CERTIFICATE OF AUTHORIZATION NO. 2856		STATE OF FLORIDA DEPARTMENT OF TRANSPORTATION			DRAINAGE STRUCTURES SR 46	SHEET NO. 78
DATE	DESCRIPTION	DATE	DESCRIPTION	ROAD NO.	COUNTY	FINANCIAL PROJECT ID		
				46	LAKE	238275-3-52-01		

NOTICE: THE OFFICIAL RECORD OF THIS SHEET IS THE ELECTRONIC FILE SIGNED AND SEALED UNDER RULE 61G15-23.003, F.A.C.

156
154
152
150
148
146
144
142
140
138
136
134
132
130
128



S-27
STA. 89+85.00 (17.50' LT)
INLET TYPE P-3
INDEX NO.'S 200 AND 210
INLET ELEV. 137.18
FL 132.68 RT.

S-28
STA. 89+85.00 (17.50' RT)
INLET TYPE P-3
INDEX NO.'S 200 AND 210
INLET ELEV. 137.18
FL 132.56 LT. & AH.

S-27
S-28
89+85.00

SCALE
1" = 20' Horizontal
1" = 10' Vertical

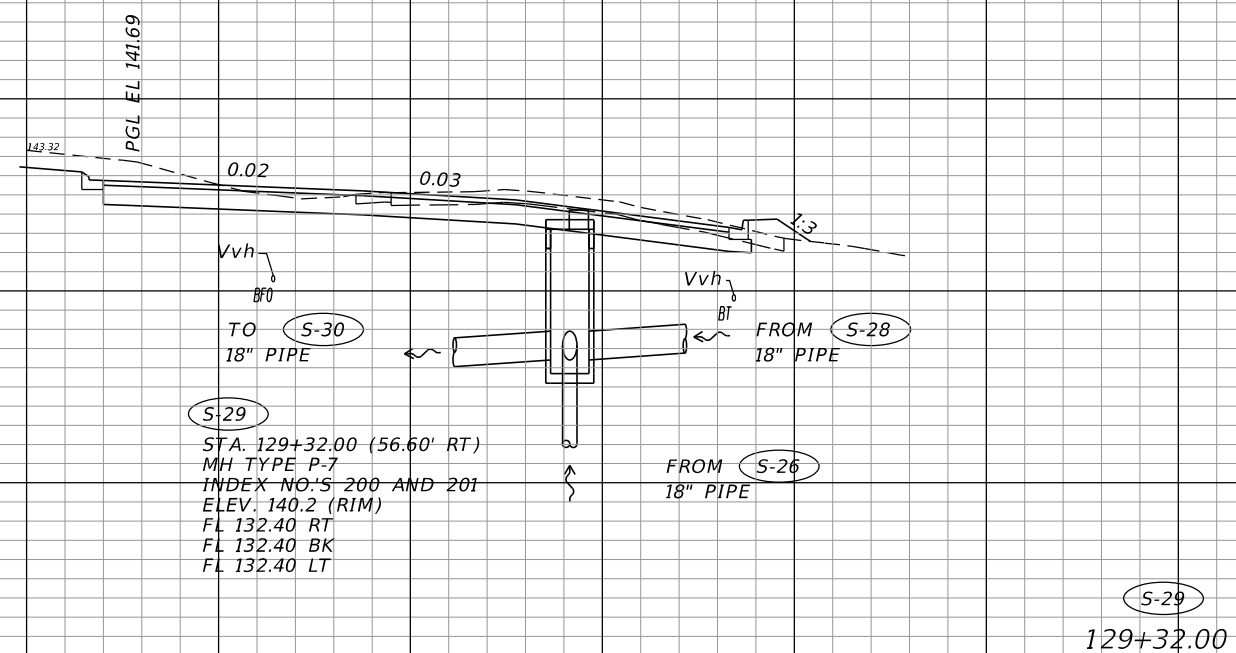
CONST. SUNEAGLE DR.

140 120 100 80 60 40 20 0 20 40 60 80 100

REVISIONS		DESCRIPTION		LOCHRANE ENGINEERING, INC. 201 SOUTH BUMBY AVENUE ORLANDO, FLORIDA 32803 (407) 896-3317 RICHARD D. BOBLETZ, P.E. P.E. NUMBER 40049 CERTIFICATE OF AUTHORIZATION NO. 2856	STATE OF FLORIDA DEPARTMENT OF TRANSPORTATION			DRAINAGE STRUCTURES SUNEAGLE DR.	SHEET NO. 79
DATE	DESCRIPTION	DATE	DESCRIPTION		ROAD NO.	COUNTY	FINANCIAL PROJECT ID		
					46	LAKE	238275-3-52-01		

NOTICE: THE OFFICIAL RECORD OF THIS SHEET IS THE ELECTRONIC FILE SIGNED AND SEALED UNDER RULE 61G15-23.003, F.A.C.

166
164
162
160
158
156
154
152
150
148
146
144
142
140
138
136
134
132
130
128
126
124
122
120
118
116



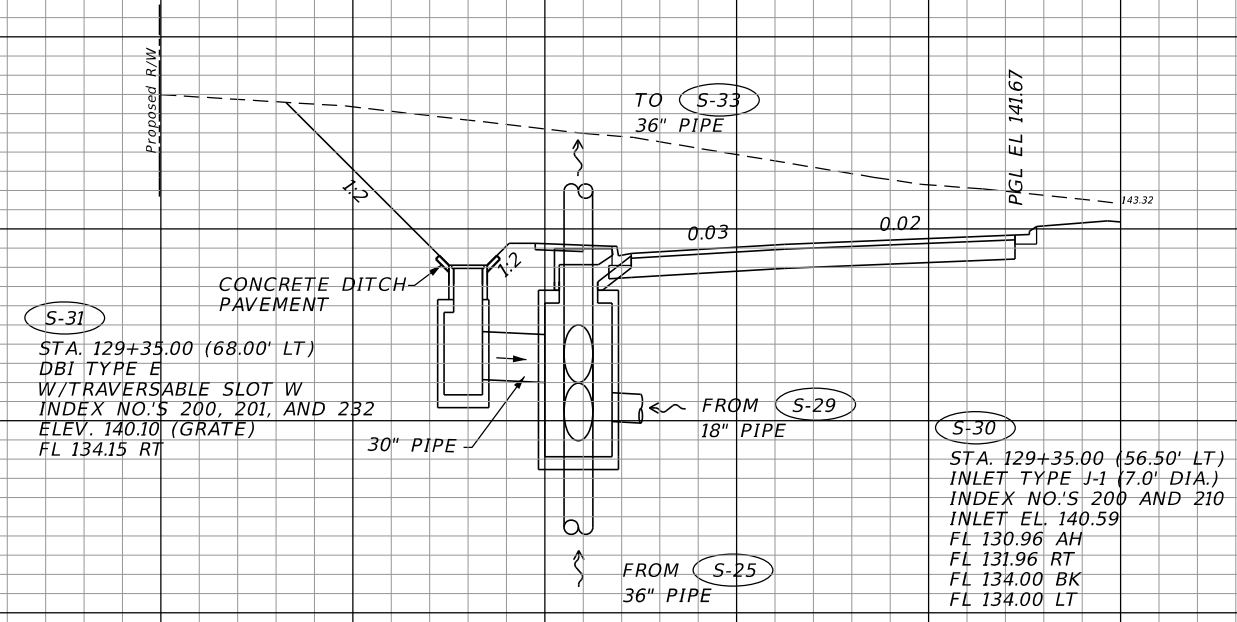
140 120 100 80 60 40 20 0 20 40 60 80 100

REVISIONS				STATE OF FLORIDA DEPARTMENT OF TRANSPORTATION			DRAINAGE STRUCTURES SR 46	SHEET NO. 80
DATE	DESCRIPTION	DATE	DESCRIPTION	ROAD NO.	COUNTY	FINANCIAL PROJECT ID		
				46	LAKE	238275-3-52-01		

LOCHRANE ENGINEERING, INC.
201 SOUTH BUMBY AVENUE
ORLANDO, FLORIDA 32803
(407) 896-3317
RICHARD D. BOBLETZ, P.E.
P.E. NUMBER 40049
CERTIFICATE OF AUTHORIZATION NO. 2856

NOTICE: THE OFFICIAL RECORD OF THIS SHEET IS THE ELECTRONIC FILE SIGNED AND SEALED UNDER RULE 61G15-23.003, F.A.C.

166
164
162
160
158
156
154
152
150
148
146
144
142
140
138
136
134
132
130
128
126
124
122



S-30
S-31
129+35.00

SCALE
1" = 20' Horizontal
1" = 10' Vertical

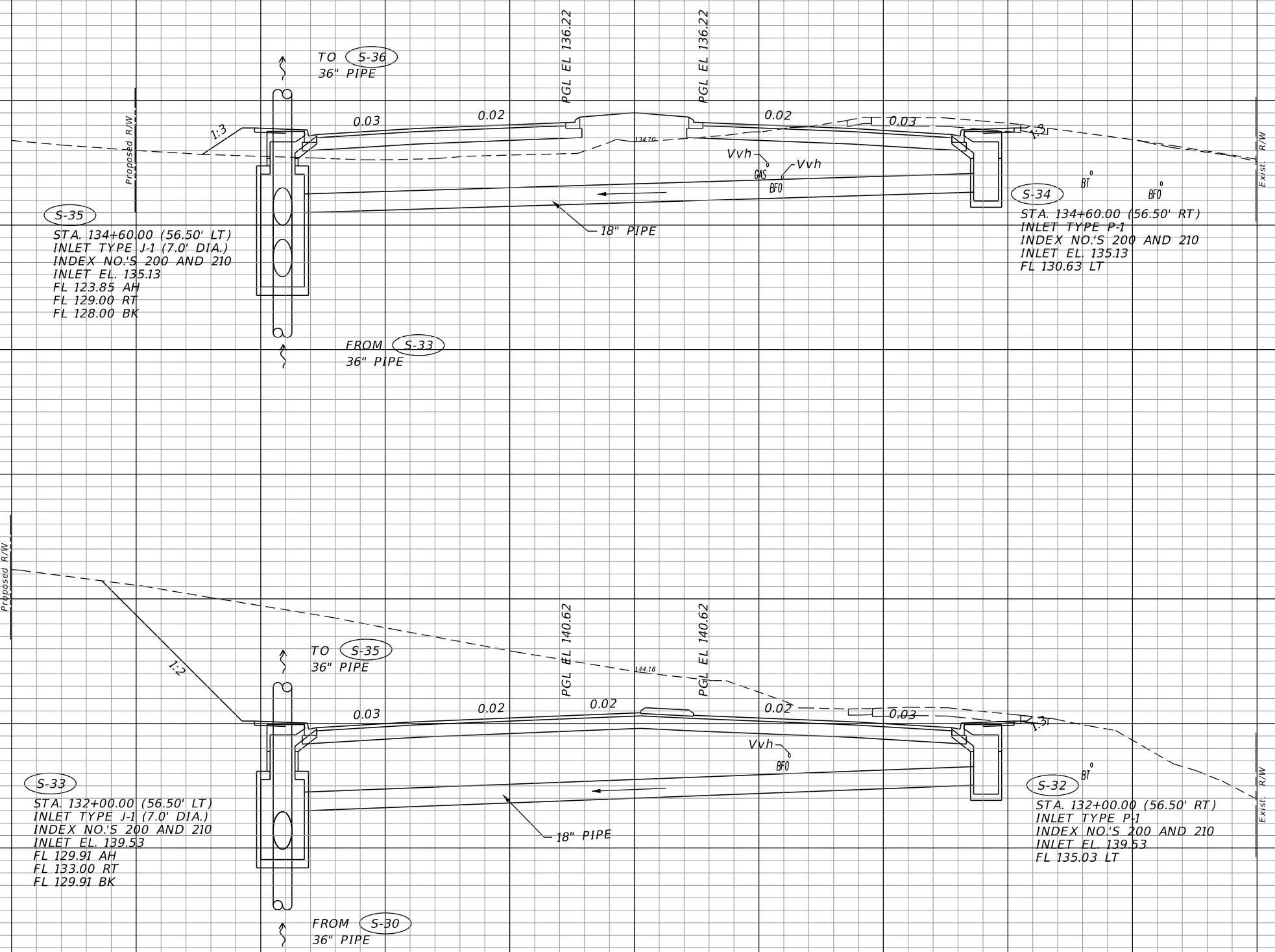
140 120 100 80 60 40 20 0 20 40 60 80 100

REVISIONS		DESCRIPTION		LOCHRANE ENGINEERING, INC. 201 SOUTH BUMBY AVENUE ORLANDO, FLORIDA 32803 (407) 896-3317 RICHARD D. BOBLETZ, P.E. P.E. NUMBER 40049 CERTIFICATE OF AUTHORIZATION NO. 2856	STATE OF FLORIDA DEPARTMENT OF TRANSPORTATION			DRAINAGE STRUCTURES SR 46	SHEET NO. 81
DATE	DESCRIPTION	DATE	DESCRIPTION		ROAD NO.	COUNTY	FINANCIAL PROJECT ID		
					46	LAKE	238275-3-52-01		

NOTICE: THE OFFICIAL RECORD OF THIS SHEET IS THE ELECTRONIC FILE SIGNED AND SEALED UNDER RULE 61G15-23.003, F.A.C.

146
144
142
140
138
136
134
132
130
128
126
124
122
120
118
116

158
156
154
152
150
148
146
144
142
140
138
136
134
132
130
128
126
124
122
120



S-34
S-35
134+60.00

S-32
S-33
132+00.00

SCALE
1" = 20' Horizontal
1" = 10' Vertical

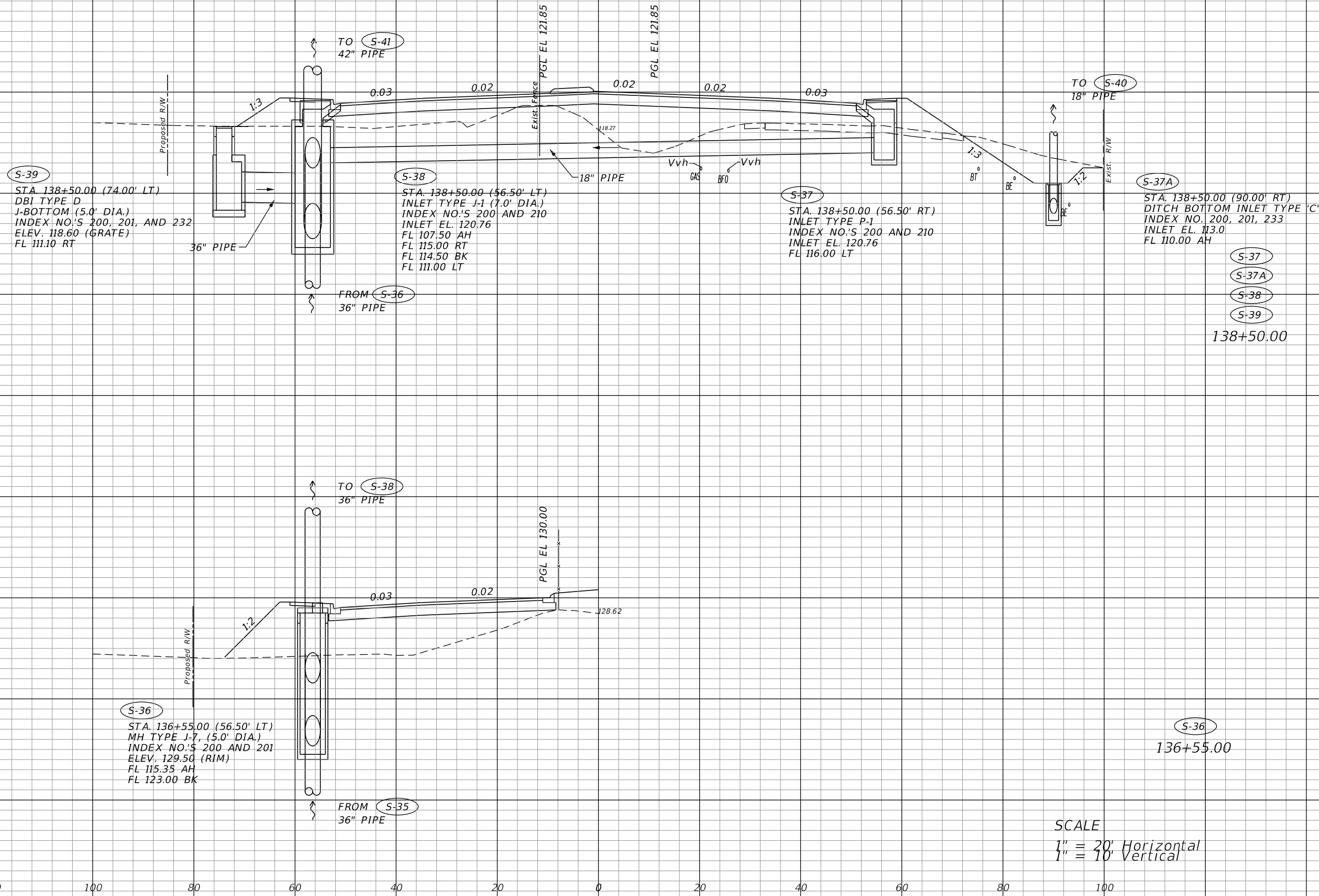
140 120 100 80 60 40 20 0 20 40 60 80 100

REVISIONS				LOCHRANE ENGINEERING, INC. 201 SOUTH BUMBY AVENUE ORLANDO, FLORIDA 32803 (407) 896-3317 RICHARD D. BOBLETZ, P.E. P.E. NUMBER 40049 CERTIFICATE OF AUTHORIZATION NO. 2856	STATE OF FLORIDA DEPARTMENT OF TRANSPORTATION			DRAINAGE STRUCTURES SR 46	SHEET NO. 82
DATE	DESCRIPTION	DATE	DESCRIPTION		ROAD NO.	COUNTY	FINANCIAL PROJECT ID		
					46	LAKE	238275-3-52-01		

NOTICE: THE OFFICIAL RECORD OF THIS SHEET IS THE ELECTRONIC FILE SIGNED AND SEALED UNDER RULE 61G15-23.003, F.A.C.

128
126
124
122
120
118
116
114
112
110
108
106
104
102

136
134
132
130
128
126
124
122
120
118
116
114
112
110
108
106



- S-37
 - S-37A
 - S-38
 - S-39
- 138+50.00

S-36
136+55.00

SCALE
1" = 20' Horizontal
1" = 10' Vertical

REVISIONS			
DATE	DESCRIPTION	DATE	DESCRIPTION

LOCHRANE ENGINEERING, INC.
201 SOUTH BUMBY AVENUE
ORLANDO, FLORIDA 32803
(407) 896-3317
RICHARD D. BOBLETZ, P.E.
P.E. NUMBER 40049
CERTIFICATE OF AUTHORIZATION NO. 2856

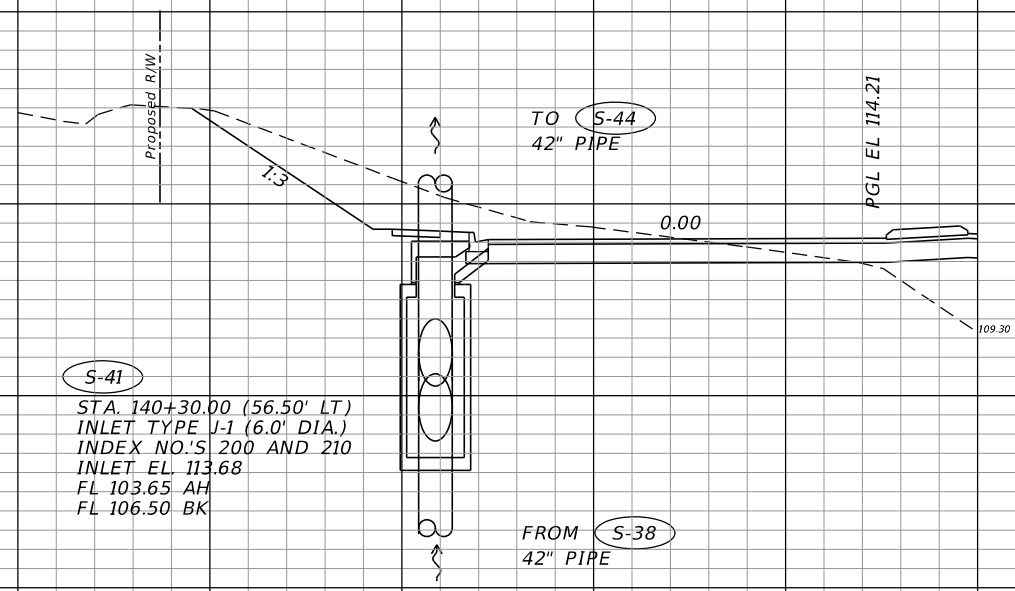
STATE OF FLORIDA DEPARTMENT OF TRANSPORTATION		
ROAD NO.	COUNTY	FINANCIAL PROJECT ID
46	LAKE	238275-3-52-01

DRAINAGE STRUCTURES
SR 46

SHEET NO.
83

NOTICE: THE OFFICIAL RECORD OF THIS SHEET IS THE ELECTRONIC FILE SIGNED AND SEALED UNDER RULE 61G15-23.003, F.A.C.

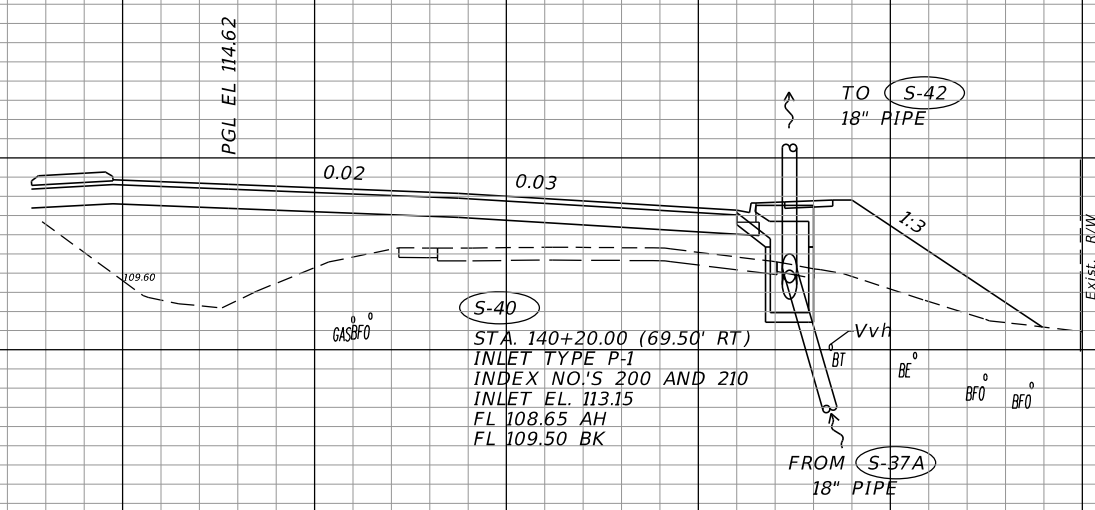
128
126
124
122
120
118
116
114
112
110
108
106
104
102
100
98
96



S-41
 STA. 140+30.00 (56.50' LT)
 INLET TYPE J-1 (6.0' DIA.)
 INDEX NO.'S 200 AND 210
 INLET EL. 113.68
 FL 103.65 AH
 FL 106.50 BK

S-41
 140+30.00

126
124
122
120
118
116
114
112
110
108
106
104
102
100
98
96



S-40
 STA. 140+20.00 (69.50' RT)
 INLET TYPE P-1
 INDEX NO.'S 200 AND 210
 INLET EL. 113.15
 FL 108.65 AH
 FL 109.50 BK

S-40
 140+20.00

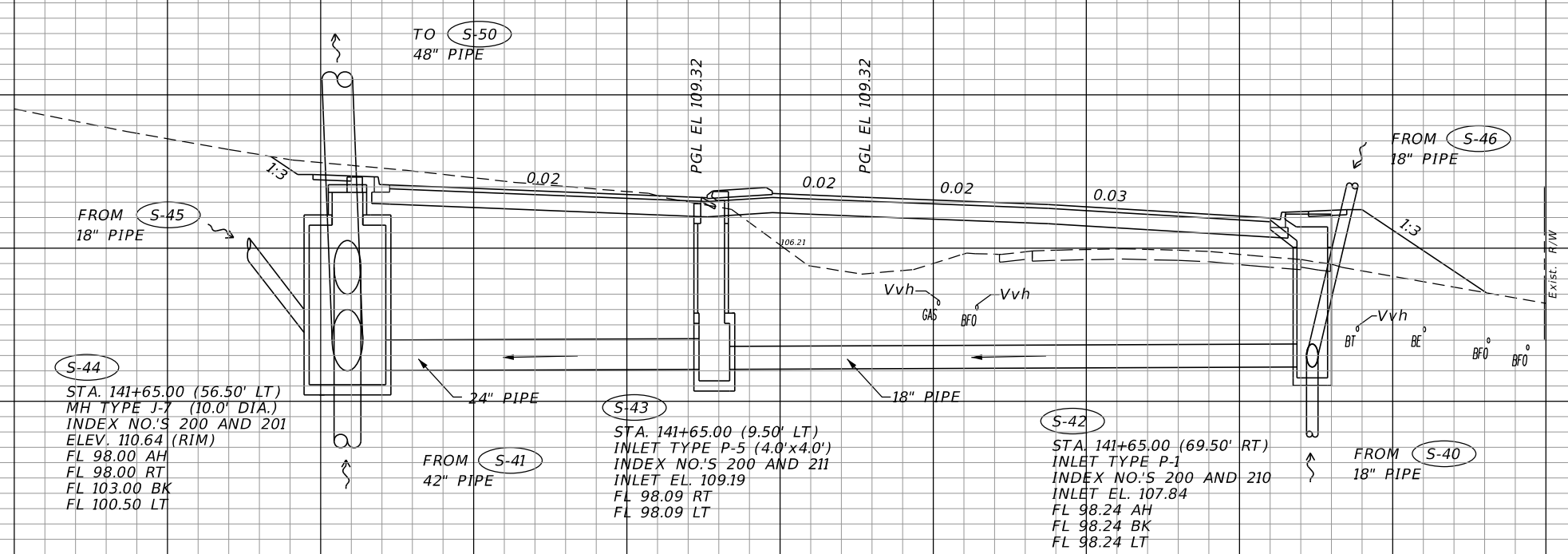
SCALE
 1" = 20' Horizontal
 1" = 10' Vertical

140 120 100 80 60 40 20 0 20 40 60 80 100

REVISIONS		DESCRIPTION		LOCHRANE ENGINEERING, INC. 201 SOUTH BUMBAY AVENUE ORLANDO, FLORIDA 32803 (407) 896-3317 RICHARD D. BOBLETZ, P.E. P.E. NUMBER 40049 CERTIFICATE OF AUTHORIZATION NO. 2856	STATE OF FLORIDA DEPARTMENT OF TRANSPORTATION			DRAINAGE STRUCTURES SR 46	SHEET NO. 84
DATE	DESCRIPTION	DATE	DESCRIPTION		ROAD NO.	COUNTY	FINANCIAL PROJECT ID		
					46	LAKE	238275-3-52-01		

NOTICE: THE OFFICIAL RECORD OF THIS SHEET IS THE ELECTRONIC FILE SIGNED AND SEALED UNDER RULE 61G15-23.003, F.A.C.

136
134
132
130
128
126
124
122
120
118
116
114
112
110
108
106
104
102
100
98
96
94
92
90
88
86



S-44
STA. 141+65.00 (56.50' LT)
MH TYPE J-7 (10.0' DIA.)
INDEX NO.'S 200 AND 201
ELEV. 110.64 (RIM)
FL 98.00 AH
FL 98.00 RT
FL 103.00 BK
FL 100.50 LT

S-43
STA. 141+65.00 (9.50' LT)
INLET TYPE P-5 (4.0'x4.0')
INDEX NO.'S 200 AND 211
INLET EL. 109.19
FL 98.09 RT
FL 98.09 LT

S-42
STA. 141+65.00 (69.50' RT)
INLET TYPE P-1
INDEX NO.'S 200 AND 210
INLET EL. 107.84
FL 98.24 AH
FL 98.24 BK
FL 98.24 LT

S-42
S-43
S-44
141+65.00

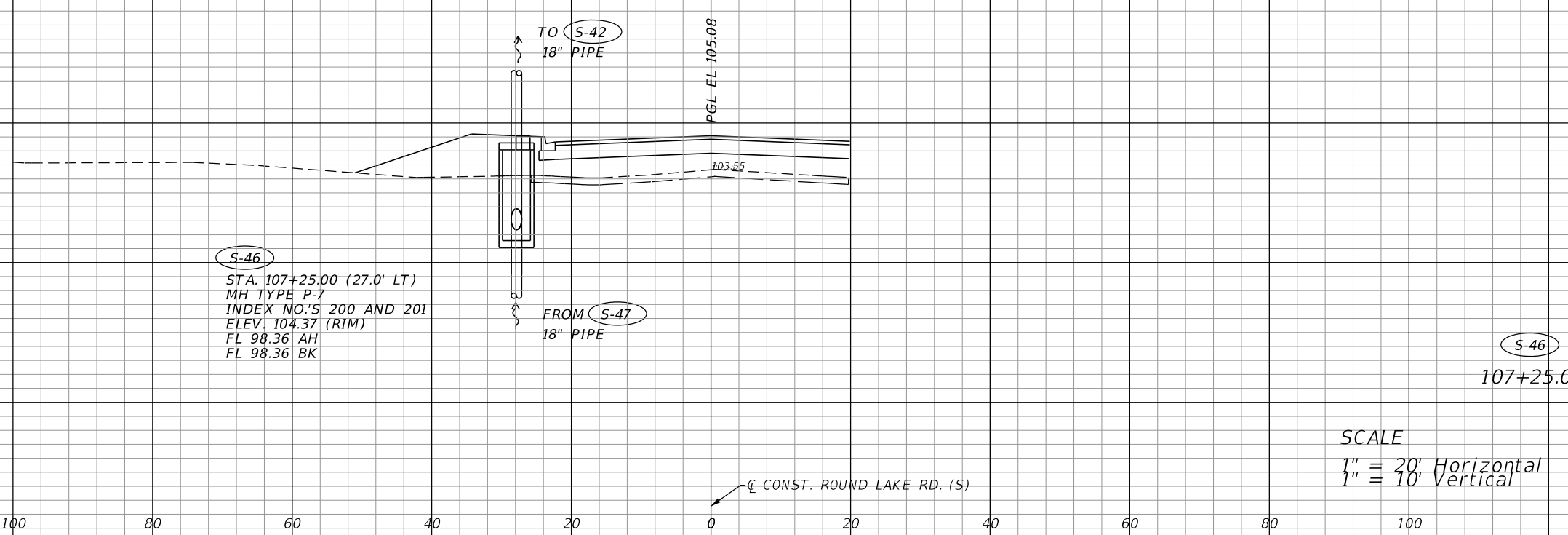
SCALE
1" = 20' Horizontal
1" = 10' Vertical

140 120 100 80 60 40 20 0 20 40 60 80 100

DATE		DESCRIPTION		REVISIONS		DATE		DESCRIPTION		LOCHRANE ENGINEERING, INC. 201 SOUTH BUMBY AVENUE ORLANDO, FLORIDA 32803 (407) 896-3317 RICHARD D. BOBLETZ, P.E. P.E. NUMBER 40049 CERTIFICATE OF AUTHORIZATION NO. 2856		STATE OF FLORIDA DEPARTMENT OF TRANSPORTATION			ROAD NO. COUNTY FINANCIAL PROJECT ID 46 LAKE 238275-3-52-01		DRAINAGE STRUCTURES SR 46		SHEET NO. 85
------	--	-------------	--	-----------	--	------	--	-------------	--	--	--	--	--	--	--	--	------------------------------	--	-----------------

NOTICE: THE OFFICIAL RECORD OF THIS SHEET IS THE ELECTRONIC FILE SIGNED AND SEALED UNDER RULE 61G15-23.003, F.A.C.

114
112
110
108
106
104
102
100
98
96
94
92
90
88



SCALE
1" = 20' Horizontal
1" = 10' Vertical

140 120 100 80 60 40 20 0 20 40 60 80 100

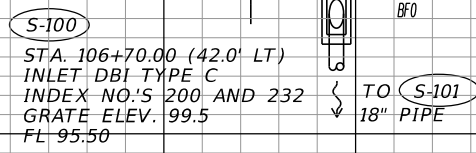
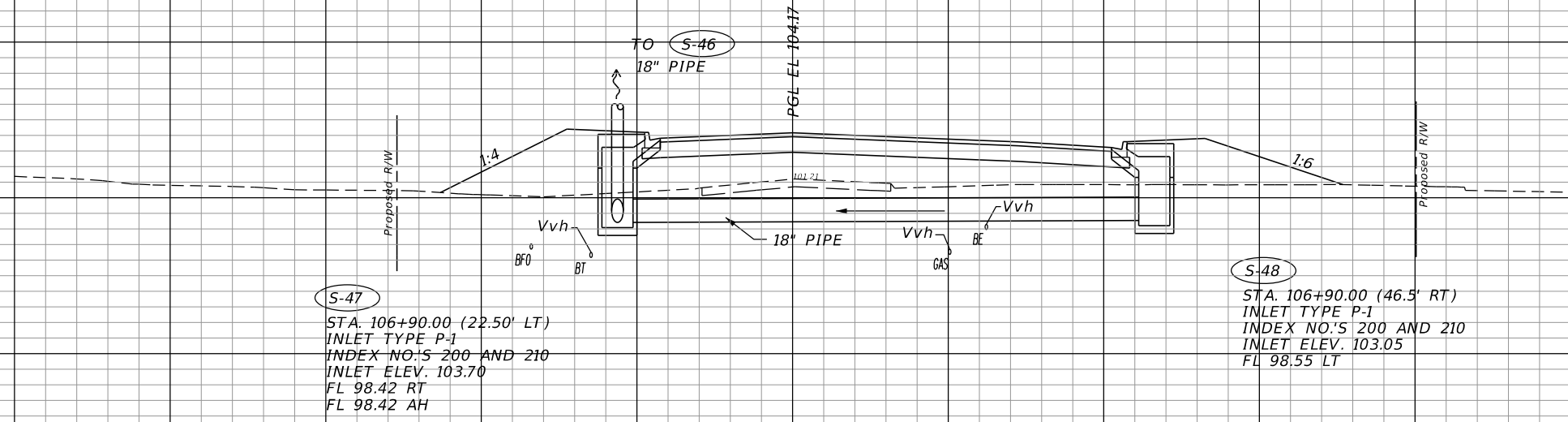
DATE		DESCRIPTION		REVISIONS		DATE		DESCRIPTION		LOCHRANE ENGINEERING, INC. 201 SOUTH BUMBY AVENUE ORLANDO, FLORIDA 32803 (407) 896-3317 RICHARD D. BOBLETZ, P.E. P.E. NUMBER 40049 CERTIFICATE OF AUTHORIZATION NO. 2856		STATE OF FLORIDA DEPARTMENT OF TRANSPORTATION		ROAD NO. 46 COUNTY LAKE FINANCIAL PROJECT ID 238275-3-52-01		DRAINAGE STRUCTURES ROUND LAKE RD. S		SHEET NO. 86	
------	--	-------------	--	-----------	--	------	--	-------------	--	--	--	--	--	---	--	---	--	-----------------	--

NOTICE: THE OFFICIAL RECORD OF THIS SHEET IS THE ELECTRONIC FILE SIGNED AND SEALED UNDER RULE 61G15-23.003, F.A.C.

114
112
110
108
106
104
102
100
98
96
94
92
90
88
86

114
112
110
108
106
104
102
100
98
96
94
92
90
88

140 120 100 80 60 40 20 0 20 40 60 80 100



SCALE
1" = 20' Horizontal
1" = 10' Vertical

CONST. ROUND LAKE RD. (S)

REVISIONS			
DATE	DESCRIPTION	DATE	DESCRIPTION

LOCHRANE ENGINEERING, INC.
201 SOUTH BUMBY AVENUE
ORLANDO, FLORIDA 32803
(407) 896-3317
RICHARD D. BOBLETZ, P.E.
P.E. NUMBER 40049
CERTIFICATE OF AUTHORIZATION NO. 2856

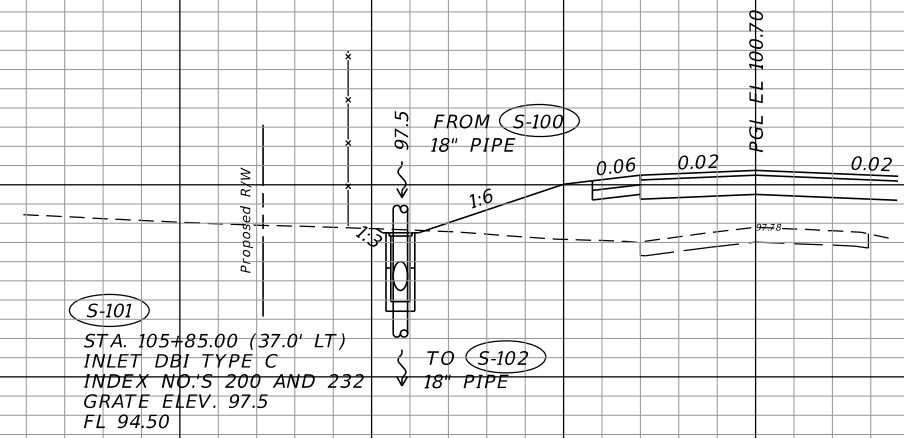
STATE OF FLORIDA DEPARTMENT OF TRANSPORTATION		
ROAD NO.	COUNTY	FINANCIAL PROJECT ID
46	LAKE	238275-3-52-01

DRAINAGE STRUCTURES
ROUND LAKE RD. S

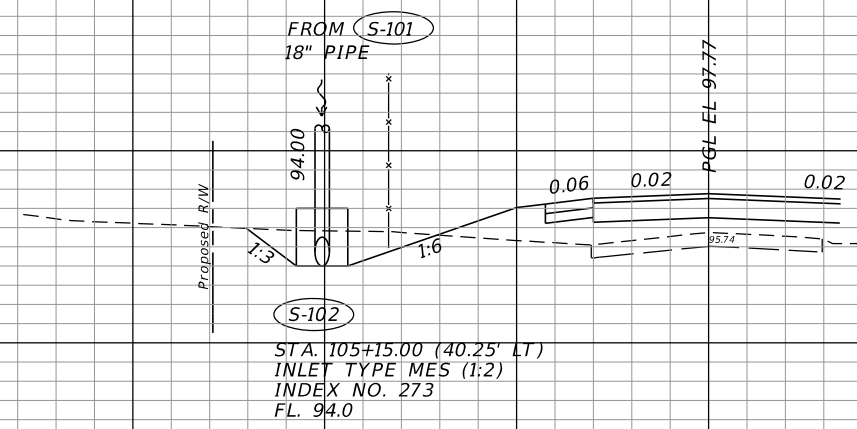
SHEET NO.
87

NOTICE: THE OFFICIAL RECORD OF THIS SHEET IS THE ELECTRONIC FILE SIGNED AND SEALED UNDER RULE 61G15-23.003, F.A.C.

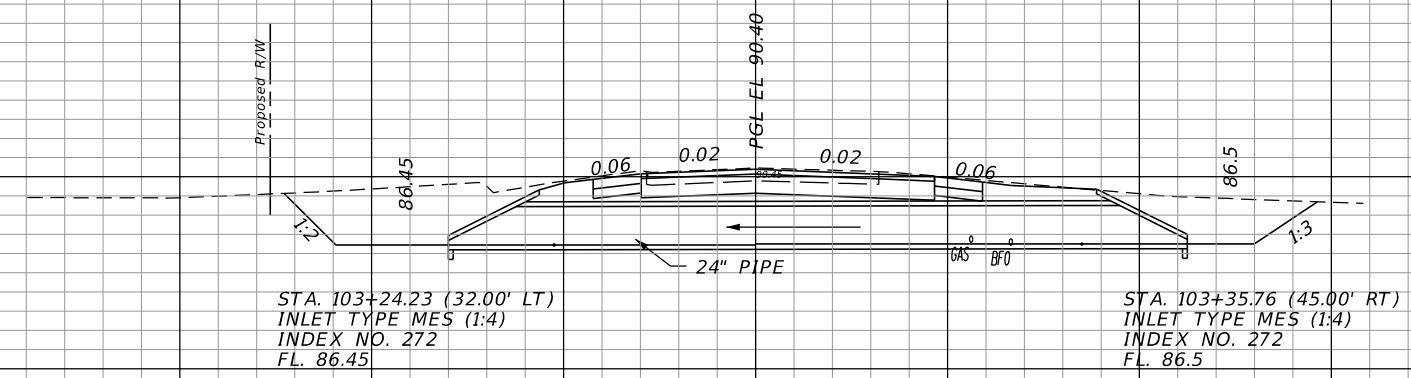
110
108
106
104
102
100
98
96
94
92
90
88
86



S-101
105+85.00



S-102
105+15.00



S-110
103+28.85
(SECTION TAKEN FROM ϕ OF PIPE)

SCALE
1" = 20' Horizontal
1" = 10' Vertical

140 120 100 80 60 40 20 0 20 40 60 80 100

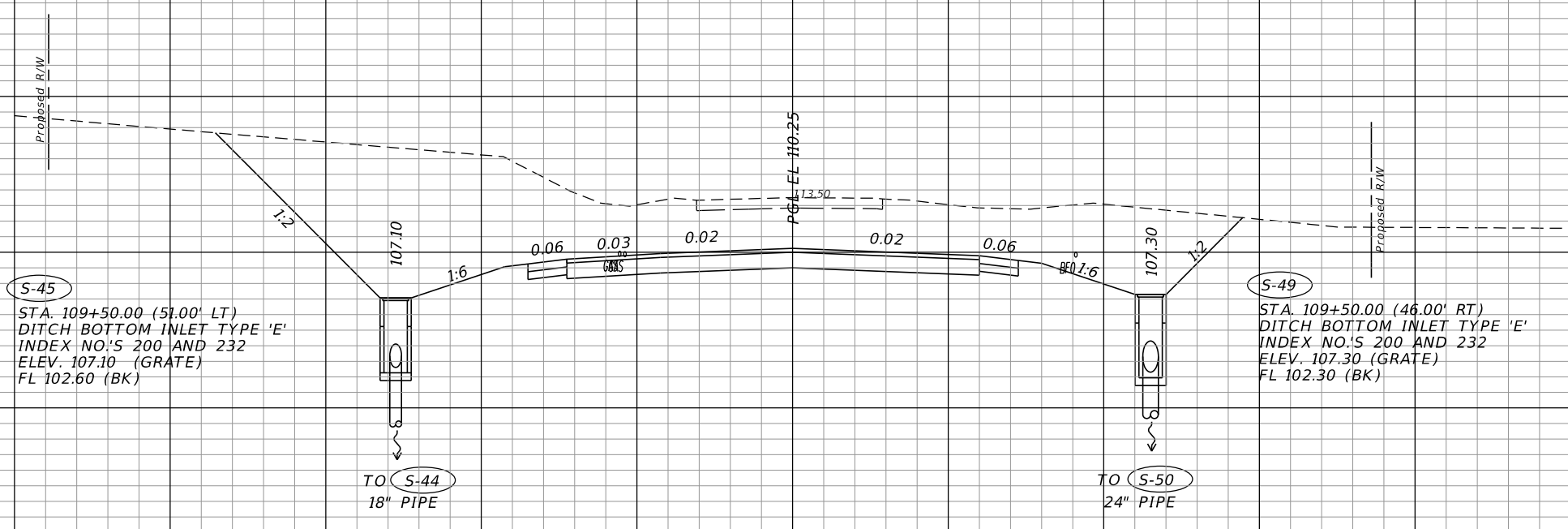
REVISIONS		LOCHRANE ENGINEERING, INC. 201 SOUTH BUMBY AVENUE ORLANDO, FLORIDA 32803 (407) 896-3317 RICHARD D. BOBLETZ, P.E. P.E. NUMBER 40049 CERTIFICATE OF AUTHORIZATION NO. 2856		STATE OF FLORIDA DEPARTMENT OF TRANSPORTATION			DRAINAGE STRUCTURES ROUND LAKE RD. S	SHEET NO. 88
DATE	DESCRIPTION	DATE	DESCRIPTION	ROAD NO.	COUNTY	FINANCIAL PROJECT ID		
				46	LAKE	238275-3-52-01		

NOTICE: THE OFFICIAL RECORD OF THIS SHEET IS THE ELECTRONIC FILE SIGNED AND SEALED UNDER RULE 61G15-23.003, F.A.C.

136
134
102
100
98
96
94
92
90

112
112
126
124
122
120
118
116
114
112
110
108
106
104
102
100
98

140 120 100 80 60 40 20 0 20 40 60 80 100



S-45
STA. 109+50.00 (51.00' LT)
DITCH BOTTOM INLET TYPE 'E'
INDEX NO.'S 200 AND 232
ELEV. 107.10 (GRATE)
FL 102.60 (BK)

TO S-44
18" PIPE

S-49
STA. 109+50.00 (46.00' RT)
DITCH BOTTOM INLET TYPE 'E'
INDEX NO.'S 200 AND 232
ELEV. 107.30 (GRATE)
FL 102.30 (BK)

TO S-50
24" PIPE

S-49
S-45
109+50.00

SCALE
1" = 20' Horizontal
1" = 10' Vertical

CONST. ROUND LAKE RD. (N)

REVISIONS			
DATE	DESCRIPTION	DATE	DESCRIPTION

LOCHRANE ENGINEERING, INC.
201 SOUTH BUMBY AVENUE
ORLANDO, FLORIDA 32803
(407) 896-3317
FOREST W. ADKINS, P.E.
P.E. NUMBER 56003
CERTIFICATE OF AUTHORIZATION NO. 2856

STATE OF FLORIDA DEPARTMENT OF TRANSPORTATION		
ROAD NO.	COUNTY	FINANCIAL PROJECT ID
46	LAKE	238275-3-52-01

DRAINAGE STRUCTURES
ROUND LAKE RD. (N)

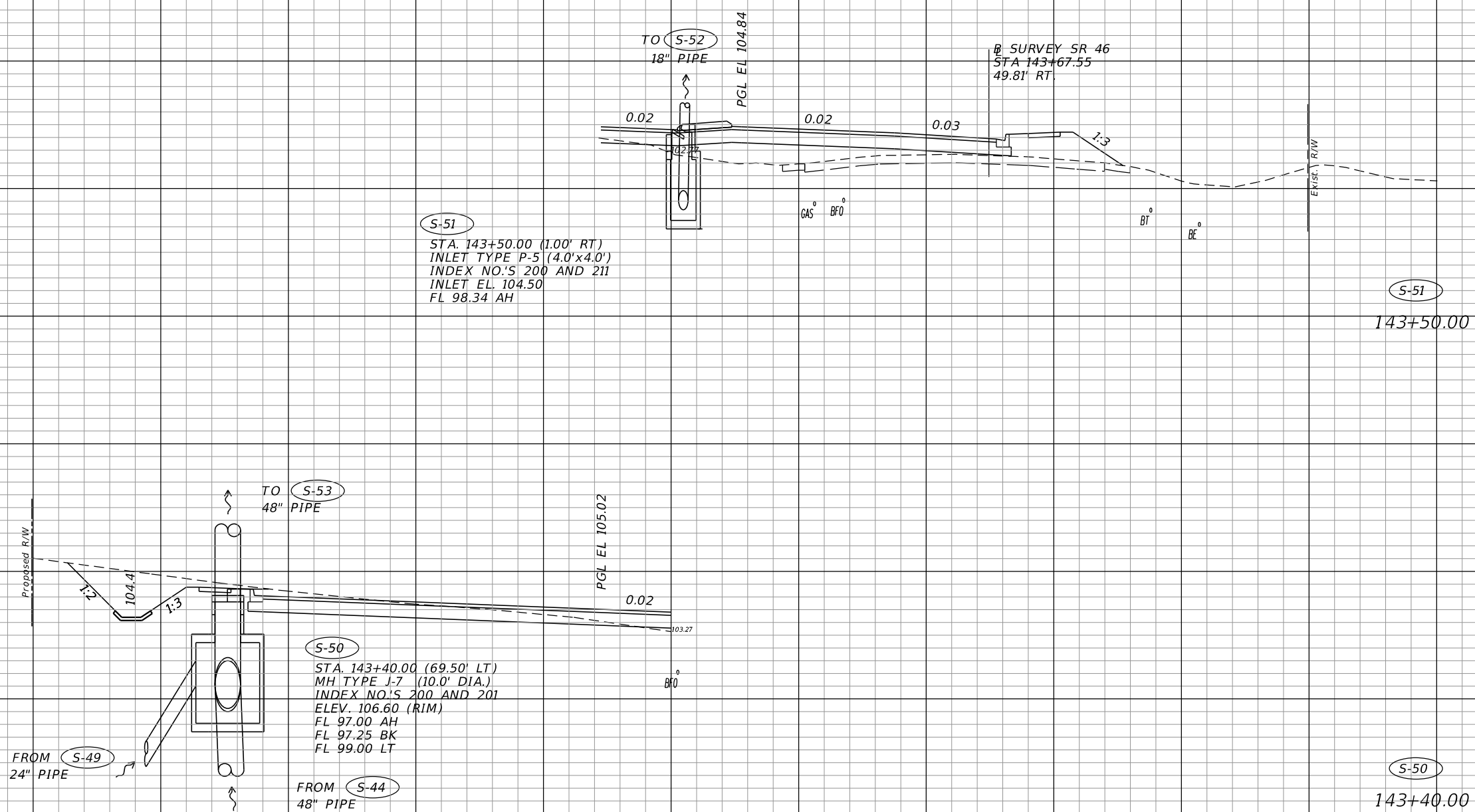
SHEET NO.
89

NOTICE: THE OFFICIAL RECORD OF THIS SHEET IS THE ELECTRONIC FILE SIGNED AND SEALED UNDER RULE 61G15-23.003, F.A.C.

130
128
126
124
122
120
118
116
114
112
110
108
106
104
102
100
98
96
94
92

116
114
112
110
108
106
104
102
100
98
96
94
92
90
88

140 120 100 80 60 40 20 0 20 40 60 80 100

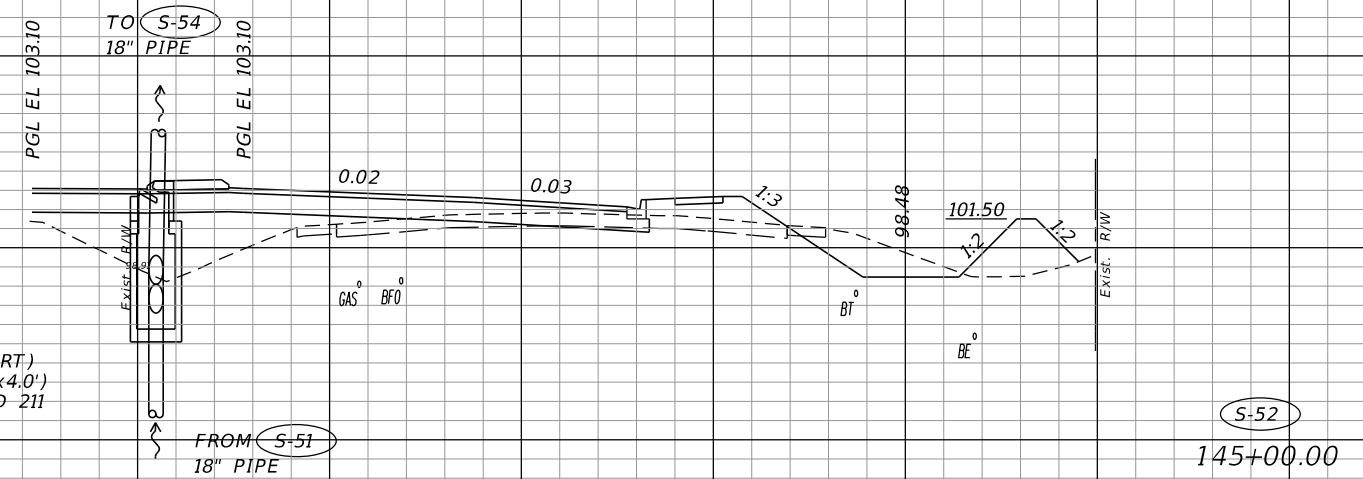
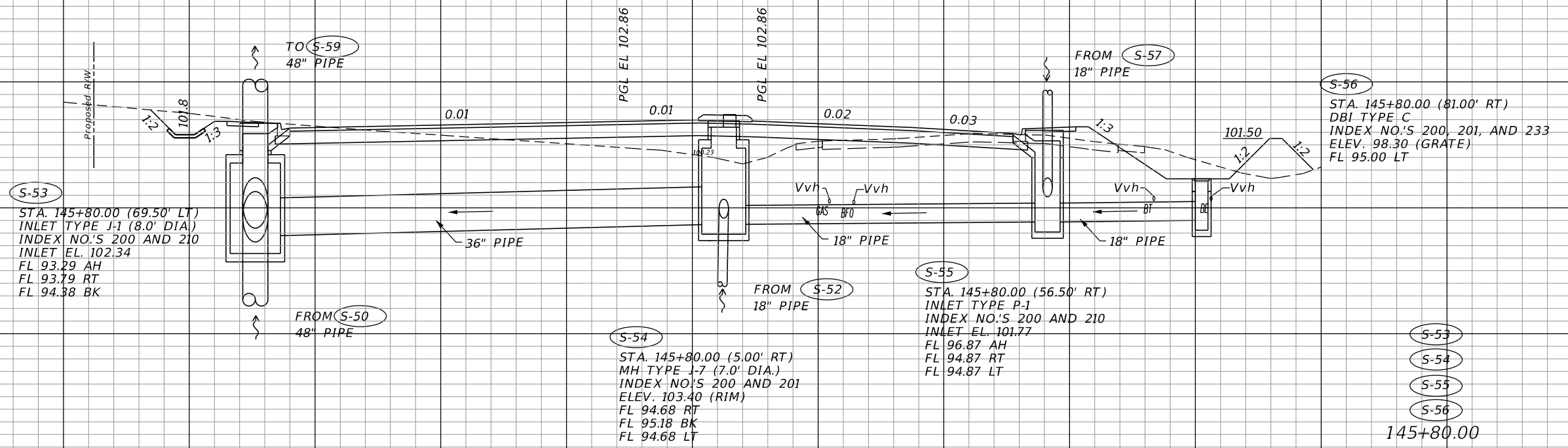


SCALE
1" = 20' Horizontal
1" = 10' Vertical

REVISIONS				LOCHRANE ENGINEERING, INC. 201 SOUTH BUMBY AVENUE ORLANDO, FLORIDA 32803 (407) 896-3317 RICHARD D. BOBLETZ, P.E. P.E. NUMBER 40049 CERTIFICATE OF AUTHORIZATION NO. 2856	STATE OF FLORIDA DEPARTMENT OF TRANSPORTATION			DRAINAGE STRUCTURES SR 46	SHEET NO. 90
DATE	DESCRIPTION	DATE	DESCRIPTION		ROAD NO.	COUNTY	FINANCIAL PROJECT ID		
				46	LAKE	238275-3-52-01			

NOTICE: THE OFFICIAL RECORD OF THIS SHEET IS THE ELECTRONIC FILE SIGNED AND SEALED UNDER RULE 61G15-23.003, F.A.C.

112
110
108
106
104
102
100
98
96
94
92
90
88
86
130
128
126
124
122
120
118
116
114
112
110
108
106
104
102
100
98
96
94
92
90
88



SCALE
1" = 20' Horizontal
1" = 10' Vertical

REVISIONS			
DATE	DESCRIPTION	DATE	DESCRIPTION

LOCHRANE ENGINEERING, INC.
201 SOUTH BUMBY AVENUE
ORLANDO, FLORIDA 32803
(407) 896-3317
RICHARD D. BOBLETZ, P.E.
P.E. NUMBER 40049
CERTIFICATE OF AUTHORIZATION NO. 2856

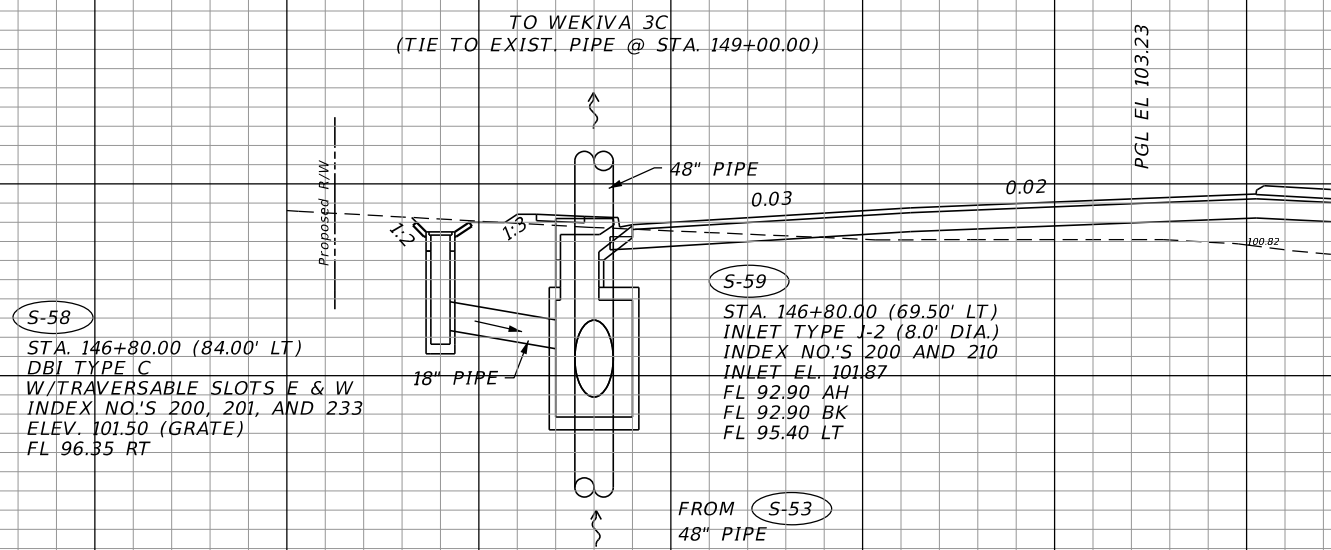
STATE OF FLORIDA DEPARTMENT OF TRANSPORTATION		
ROAD NO.	COUNTY	FINANCIAL PROJECT ID
46	LAKE	238275-3-52-01

DRAINAGE STRUCTURES
SR 46

SHEET NO.
91

NOTICE: THE OFFICIAL RECORD OF THIS SHEET IS THE ELECTRONIC FILE SIGNED AND SEALED UNDER RULE 61G15-23.003, F.A.C.

114
112
110
108
106
104
102
100
98
96
94
92
90
88
86
84



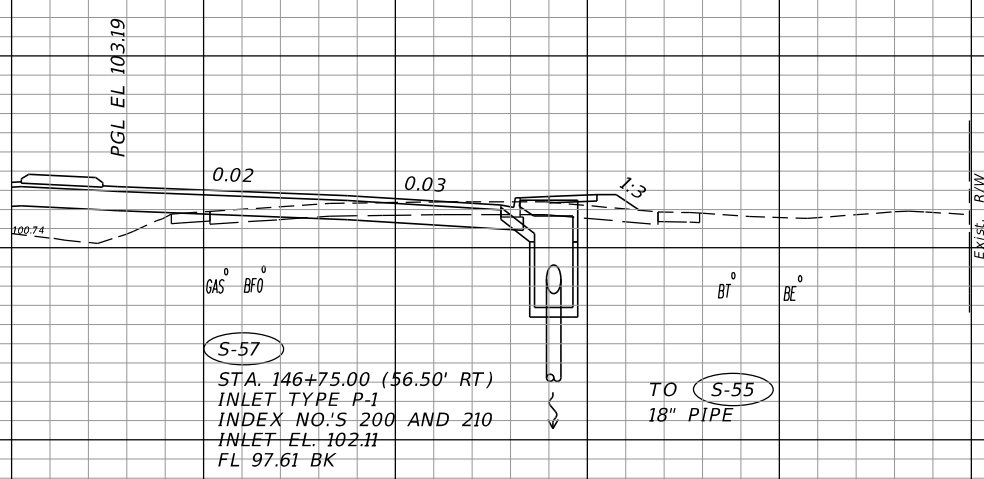
S-58
STA. 146+80.00 (84.00' LT)
DBI TYPE C
W/TRAVERSABLE SLOTS E & W
INDEX NO.'S 200, 201, AND 233
ELEV. 101.50 (GRATE)
FL 96.85 RT

S-59
STA. 146+80.00 (69.50' LT)
INLET TYPE J-2 (8.0' DIA.)
INDEX NO.'S 200 AND 210
INLET EL. 101.87
FL 92.90 AH
FL 92.90 BK
FL 95.40 LT

FROM S-53
48" PIPE

S-58
S-59
146+80.00

112
110
108
106
104
102
100
98
96
94
92
90
88
86



S-57
STA. 146+75.00 (56.50' RT)
INLET TYPE P-1
INDEX NO.'S 200 AND 210
INLET EL. 102.11
FL 97.61 BK

TO S-55
12" PIPE

S-57
146+75.00

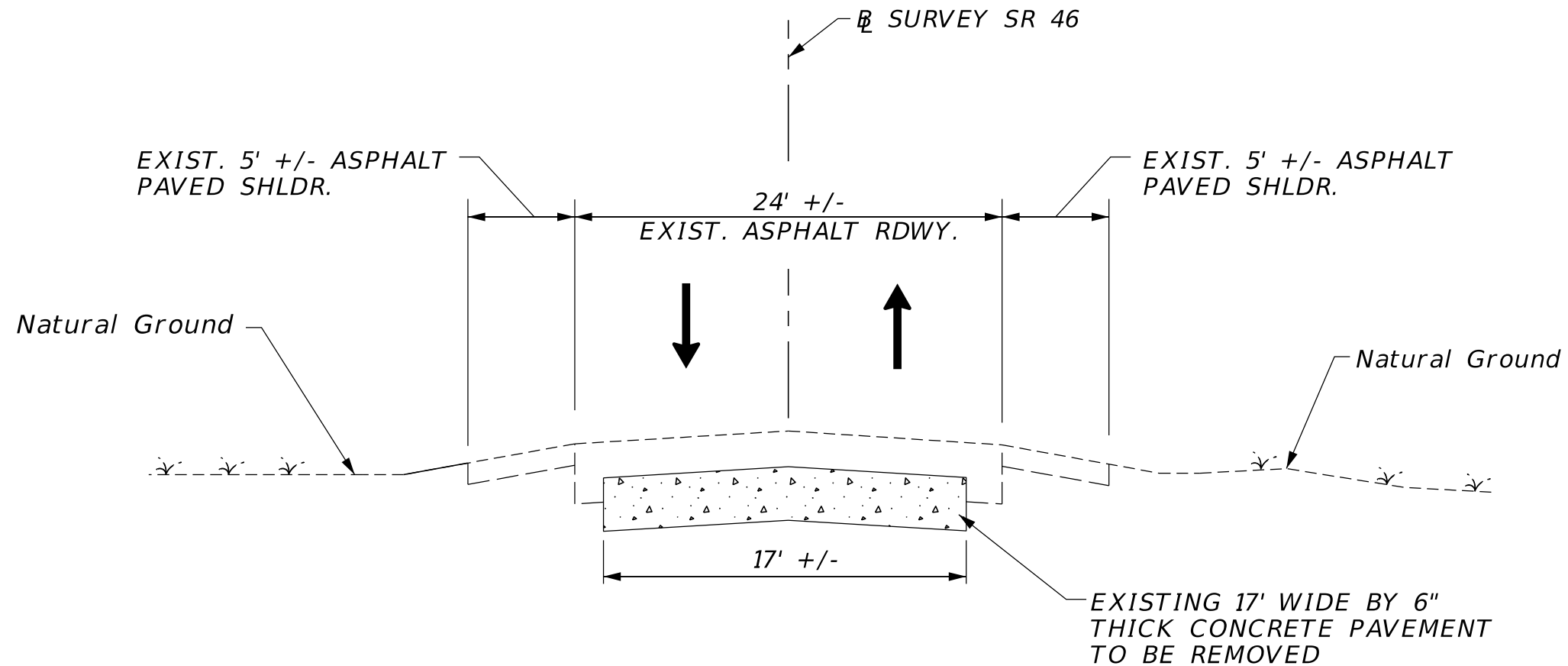
SCALE
1" = 20' Horizontal
1" = 10' Vertical

140 120 100 80 60 40 20 0 20 40 60 80 100

REVISIONS				LOCHRANE ENGINEERING, INC. 201 SOUTH BUMBY AVENUE ORLANDO, FLORIDA 32803 (407) 896-3317 RICHARD D. BOBLETZ, P.E. P.E. NUMBER 40049 CERTIFICATE OF AUTHORIZATION NO. 2856	STATE OF FLORIDA DEPARTMENT OF TRANSPORTATION			DRAINAGE STRUCTURES SR 46	SHEET NO. 92
DATE	DESCRIPTION	DATE	DESCRIPTION		ROAD NO.	COUNTY	FINANCIAL PROJECT ID		
				46	LAKE	238275-3-52-01			

NOTICE: THE OFFICIAL RECORD OF THIS SHEET IS THE ELECTRONIC FILE SIGNED AND SEALED UNDER RULE 61G15-23.003, F.A.C.

REMOVAL OF EXISTING CONCRETE



NOTES:

1. EXISTING ASPHALT TO BE REMOVED UNDER PAY ITEM 110-1-1, CLEARING AND GRUBBING.
2. EXISTING CONCRETE PAVEMENT TO BE REMOVED UNDER PAY ITEM 110-4, REMOVAL OF EXISTING CONCRETE PAVEMENT.
3. LOCATIONS AND DIMENSIONS OF EXISTING CONCRETE PAVEMENT ARE APPROXIMATE AND ARE BASED ON LIMITED INVESTIGATION TECHNIQUES.
4. FOR CONCRETE PAVEMENT REMOVAL QUANTITIES, SEE SUMMARY OF QUANTITIES/SUMMARY OF REMOVAL ITEMS.

REVISIONS				LOCHRANE ENGINEERING, INC. 201 SOUTH BUMBY AVENUE ORLANDO, FLORIDA 32803 (407) 896-3317 FOREST W. ADKINS, P.E. P.E. NUMBER 56003 CERTIFICATE OF AUTHORIZATION NO. 2856	STATE OF FLORIDA DEPARTMENT OF TRANSPORTATION			SPECIAL DETAILS	SHEET NO.
DATE	DESCRIPTION	DATE	DESCRIPTION		ROAD NO.	COUNTY	FINANCIAL PROJECT ID		93
					46	LAKE	238275-3-52-01		

NOTICE: THE OFFICIAL RECORD OF THIS SHEET IS THE ELECTRONIC FILE SIGNED AND SEALED UNDER RULE 61G15-23.003, F.A.C.

DATE OF SURVEY: FEBRUARY AND MARCH 2014
 SURVEY MADE BY: T. ROBINSON, R. ROBINSON, D. VANDERPOL
 SUBMITTED BY: DANIEL C. STANFILL, P.E.

STATE OF FLORIDA
 DEPARTMENT OF TRANSPORTATION
 MATERIALS AND RESEARCH

DISTRICT: 5
 ROAD NO.: 46
 COUNTY: LAKE

FINANCIAL PROJECT ID : 238275-3-52-01

PROJECT NAME: SR 46 FROM EAST OF VISTA VIEW LANE TO
 EAST OF ROUND LAKE ROAD

CROSS SECTION SOIL SURVEY FOR THE DESIGN OF ROADS

SR 46 BEGIN STA. : 94+00 END STA. : 149+00
 ROUND LAKE ROAD BEGIN STA. : 100+00 END STA. : 119+00

STATIONS REFERENCE: CENTERLINE OF CONSTRUCTION

STRATUM NO.	NO. OF TESTS	% ORGANIC	MOISTURE CONTENT		SIEVE ANALYSIS RESULTS PERCENT PASS (%)					ATTERBERG LIMITS (%)				AASHTO GROUP	DESCRIPTION	CORROSION TEST RESULTS				
			NO. OF TESTS	MOISTURE CONTENT	10 MESH	40 MESH	60 MESH	100 MESH	200 MESH	NO. OF TESTS	LIQUID LIMIT	PLASTIC INDEX	RESISTIVITY ohm-cm			CHLORIDE ppm	SULFATES ppm	pH		
1	0	-	0	-	53	100	76-95	45-74	11-36	1-9	0	-	-	A-3	LIGHT BROWN TO DARK BROWN TO GRAY TO ORANGE FINE SAND TO FINE SAND WITH SILT, OCCASIONAL TRACE ORGANIC MATERIAL	7	12,000-68,000	30-45	<5-65	5.5-8.2
2	0	-	5	11-17	29	100	69-96	33-89	14-62	11-32	5	NP	NP	A-2-4	LIGHT BROWN TO DARK BROWN TO GRAY TO ORANGE FINE SAND WITH SILT TO SILTY FINE SAND, OCCASIONAL TRACE CLAY	6	16,000-47,000	30-45	39-45	5.0-6.8
3	0	-	1	16	1	100	97	86	73	36	1	33	16	A-2-6, A-6, A-7-6	LIGHT BROWN TO GRAY TO ORANGE CLAYEY FINE SAND TO SANDY CLAY	-	-	-	-	-
4	0	-	0	-	0	-	-	-	-	-	0	-	-	A-8	DARK BROWN MUCKY FINE SAND TO MUCK	-	-	-	-	-
5	0	-	0	-	0	-	-	-	-	-	0	-	-	A-3, A-2-4	DARK BROWN TO BROWN SLIGHTLY CEMENTED TO CEMENTED FINE SAND WITH SILT TO SILTY FINE SAND (HARDPAN)	-	-	-	-	-
6	0	-	0	-	0	-	-	-	-	-	0	-	-	A-7-6	LIGHT GRAY SANDY CLAY	-	-	-	-	-
7	0	-	0	-	0	-	-	-	-	-	0	-	-	-	LIMEROCK	-	-	-	-	-

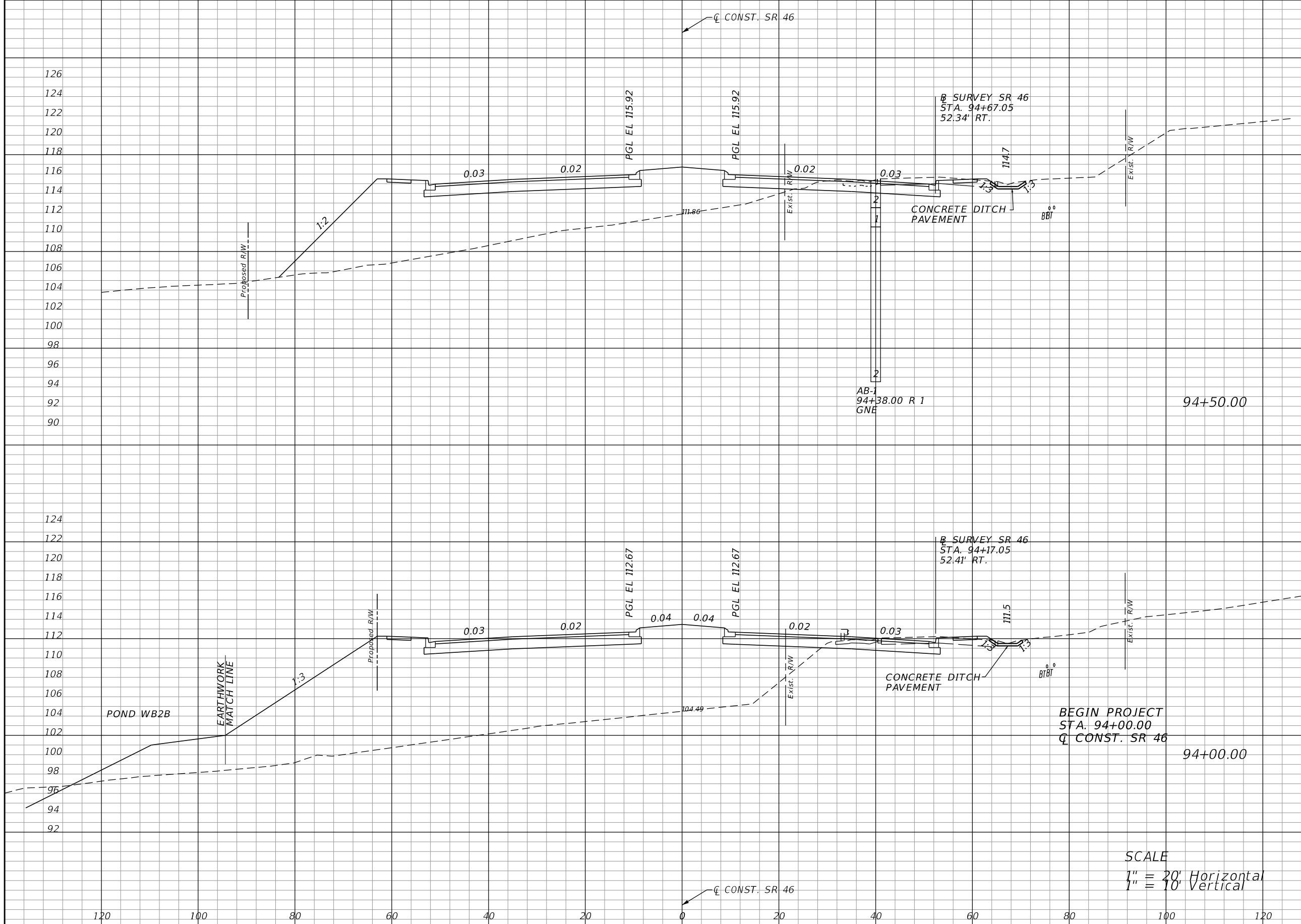
NOTES

- STRATA BOUNDARIES ARE APPROXIMATE AND REPRESENT SOIL STRATA AT EACH TEST HOLE LOCATION ONLY. ANY STRATUM CONNECTING LINES THAT ARE SHOWN ARE FOR ESTIMATING EARTHWORK ONLY AND DO NOT INDICATE ACTUAL STRATUM LIMITS. SUBSURFACE VARIATIONS BETWEEN BORINGS SHOULD BE ANTICIPATED AS INDICATED IN ARTICLE 2-4 OF THE STANDARD SPECIFICATIONS FOR ROAD AND BRIDGE CONSTRUCTION. FOR FURTHER DETAILS SEE ARTICLE 120-3.
- WATER TABLE SHOWN AS ▼ WHERE ENCOUNTERED AT TIME OF SURVEY. GROUNDWATER NOT ENCOUNTERED SHOWN AS "GNE". ESTIMATED SEASONAL HIGH SHOWN AS ▽.
- REMOVAL OF MUCK AND PLASTIC MATERIAL OCCURRING WITHIN ROADWAY SHALL BE ACCOMPLISHED IN ACCORDANCE WITH INDEX NO. 500 OF THE FDOT DESIGN STANDARDS UNLESS OTHERWISE SHOWN ON PLANS. THE MATERIAL USED IN EMBANKMENT CONSTRUCTION SHALL BE IN ACCORDANCE WITH INDEX NO. 505 OF THE FDOT DESIGN STANDARDS.
- SOIL ANALYSIS INCLUDES DATA FROM ROADWAY AND POND SITING BORINGS.
- THE SYMBOL "-" REPRESENTS AN UNMEASURED PARAMETER.
- THE SYMBOL "NP" REPRESENTS NON-PLASTIC.
- THE SOIL STRATA NUMBERS AND DESCRIPTIONS ARE BASED ON THE WEKIVA PARKWAY LINE AND GRADE STUDY. ONLY STRATA 1, 2, 3 AND 7 WERE ENCOUNTERED FOR THIS SOIL SURVEY.
- STRATA 1 AND 2 SHALL BE TREATED AS SELECT (S) MATERIAL IN ACCORDANCE WITH INDEX NO. 505.
- STRATUM 3 SHALL BE TREATED AS PLASTIC (P) MATERIAL IN ACCORDANCE WITH INDEX NO. 505.
- STRATUM 4 SHALL BE TREATED AS MUCK (M) MATERIAL IN ACCORDANCE WITH INDEX NO. 505.
- STRATUM 5 SHALL BE TREATED AS SELECT (S) MATERIAL IN ACCORDANCE WITH INDEX NO. 505.
- STRATUM 6 SHALL BE TREATED AS HIGH PLASTIC (H) MATERIAL IN ACCORDANCE WITH INDEX NO. 505.
- STRATA 2 AND 5 MAY RETAIN EXCESS MOISTURE AND MAY BE DIFFICULT TO DRY AND COMPACT.
- STRATA 5 AND 7 MAY BE DIFFICULT TO EXCAVATE AND/OR PENETRATE AND MAY REQUIRE SPECIAL EQUIPMENT AND/OR PROCEDURES TO FACILITATE EXCAVATION AND/OR PENETRATION. THE MATERIAL FROM THIS STRATUM MAY NEED TO BE PULVERIZED PRIOR TO USE AS FILL.

FIGURE 2

REVISIONS		DATE		DESCRIPTION		GEOTECHNICAL AND ENVIRONMENTAL CONSULTANTS, INC. (GEC) 919 Lake Baldwin Lane Orlando, FL 32814 T 407-898-1818 F 407-898-1837 Certificate of Authorization No. 5882 DANIEL C. STANFILL, P.E. NO. 42763	STATE OF FLORIDA DEPARTMENT OF TRANSPORTATION			ROADWAY SOIL SURVEY	SHEET NO.
DATE	DESCRIPTION	DATE	DESCRIPTION	ROAD NO.	COUNTY		FINANCIAL PROJECT ID	94			
				46	LAKE		238275-3-52-01				

NOTICE: THE OFFICIAL RECORD OF THIS SHEET IS THE ELECTRONIC FILE SIGNED AND SEALED UNDER RULE 61G15-23.003, F.A.C.



Regular		Exc.		Embankment	
A	V	A	V	A	V
42				485	
	68				1255
31				871	

SCALE
 1" = 20' Horizontal
 1" = 10' Vertical

REVISIONS			
DATE	DESCRIPTION	DATE	DESCRIPTION

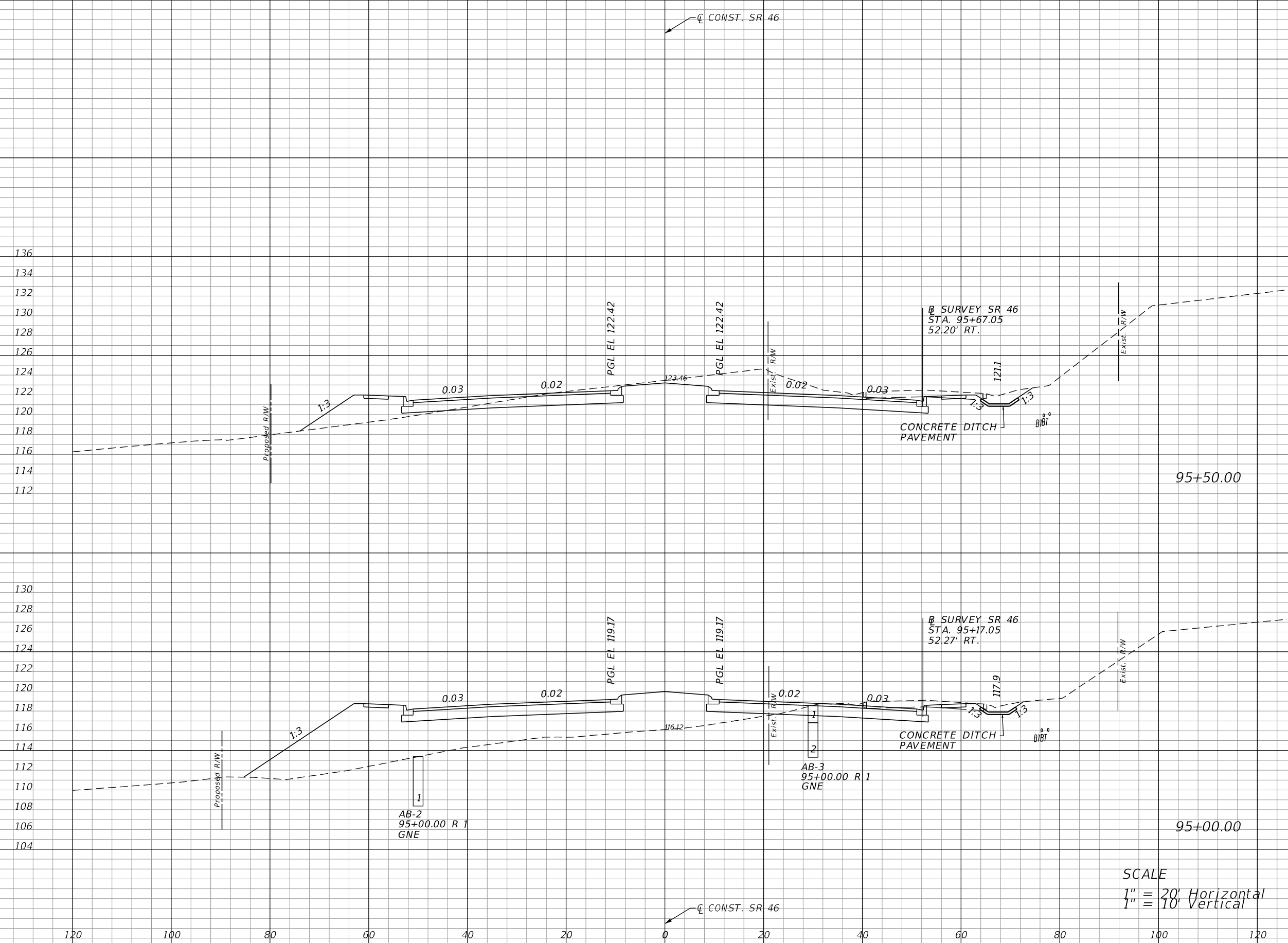
LOCHRANE ENGINEERING, INC.
 201 SOUTH BUMBAY AVENUE
 ORLANDO, FLORIDA 32803
 (407) 896-3317
 FOREST W. ADKINS, P.E.
 P.E. NUMBER 56003
 CERTIFICATE OF AUTHORIZATION NO. 2856

STATE OF FLORIDA DEPARTMENT OF TRANSPORTATION		
ROAD NO.	COUNTY	FINANCIAL PROJECT ID
46	LAKE	238275-3-52-01

CROSS SECTIONS
SR 46

SHEET NO.
 95

NOTICE: THE OFFICIAL RECORD OF THIS SHEET IS THE ELECTRONIC FILE SIGNED AND SEALED UNDER RULE 61G15-23.003, F.A.C.



Regular		Exc.		Embankment	
A	V	A	V	A	V
164		42			
	198		348		
50		334			
	85		758		

SCALE
 1" = 20' Horizontal
 1" = 10' Vertical

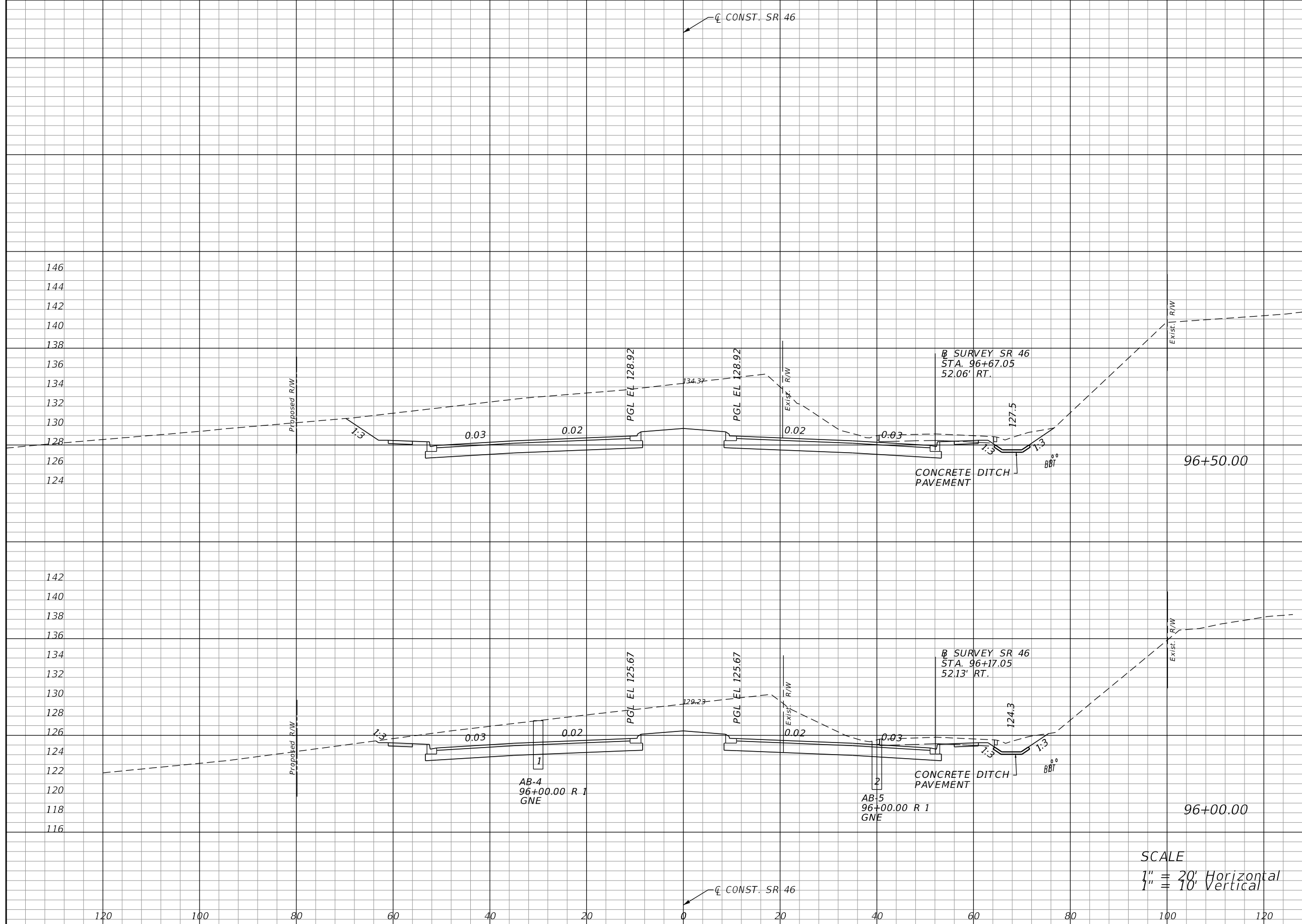
REVISIONS			
DATE	DESCRIPTION	DATE	DESCRIPTION

LOCHRANE ENGINEERING, INC.
 201 SOUTH BUMBY AVENUE
 ORLANDO, FLORIDA 32803
 (407) 896-3317
 FOREST W. ADKINS, P.E.
 P.E. NUMBER 56003
 CERTIFICATE OF AUTHORIZATION NO. 2856

STATE OF FLORIDA DEPARTMENT OF TRANSPORTATION		
ROAD NO.	COUNTY	FINANCIAL PROJECT ID
46	LAKE	238275-3-52-01

CROSS SECTIONS		SHEET NO.
SR 46		96

NOTICE: THE OFFICIAL RECORD OF THIS SHEET IS THE ELECTRONIC FILE SIGNED AND SEALED UNDER RULE 61G15-23.003, F.A.C.



Regular		Exc.		Embankment	
A	V	A	V	A	V
574				0	
	885			0	
382				0	
		505			39

SCALE
 1" = 20' Horizontal
 1" = 10' Vertical

REVISIONS			
DATE	DESCRIPTION	DATE	DESCRIPTION

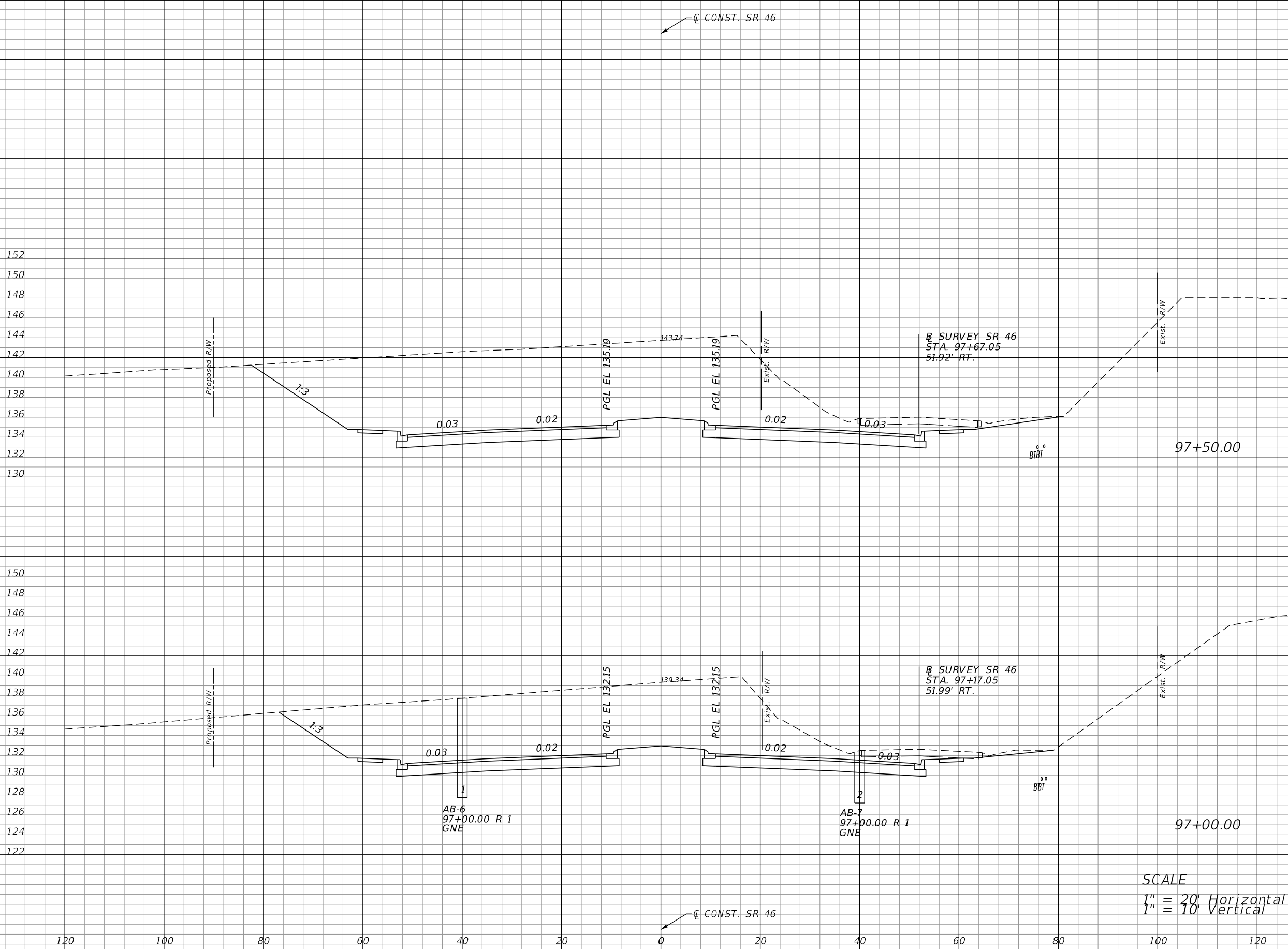
LOCHRANE ENGINEERING, INC.
 201 SOUTH BUMBY AVENUE
 ORLANDO, FLORIDA 32803
 (407) 896-3317
 FOREST W. ADKINS, P.E.
 P.E. NUMBER 56003
 CERTIFICATE OF AUTHORIZATION NO. 2856

STATE OF FLORIDA DEPARTMENT OF TRANSPORTATION		
ROAD NO.	COUNTY	FINANCIAL PROJECT ID
46	LAKE	238275-3-52-01

CROSS SECTIONS
SR 46

SHEET NO.
97

NOTICE: THE OFFICIAL RECORD OF THIS SHEET IS THE ELECTRONIC FILE SIGNED AND SEALED UNDER RULE 61G15-23.003, F.A.C.



Regular		Exc.	Embankment	
A	V	A	V	
950		0		
	1587		0	
763		0		
	1239		0	

SCALE
 1" = 20' Horizontal
 1" = 10' Vertical

REVISIONS			
DATE	DESCRIPTION	DATE	DESCRIPTION

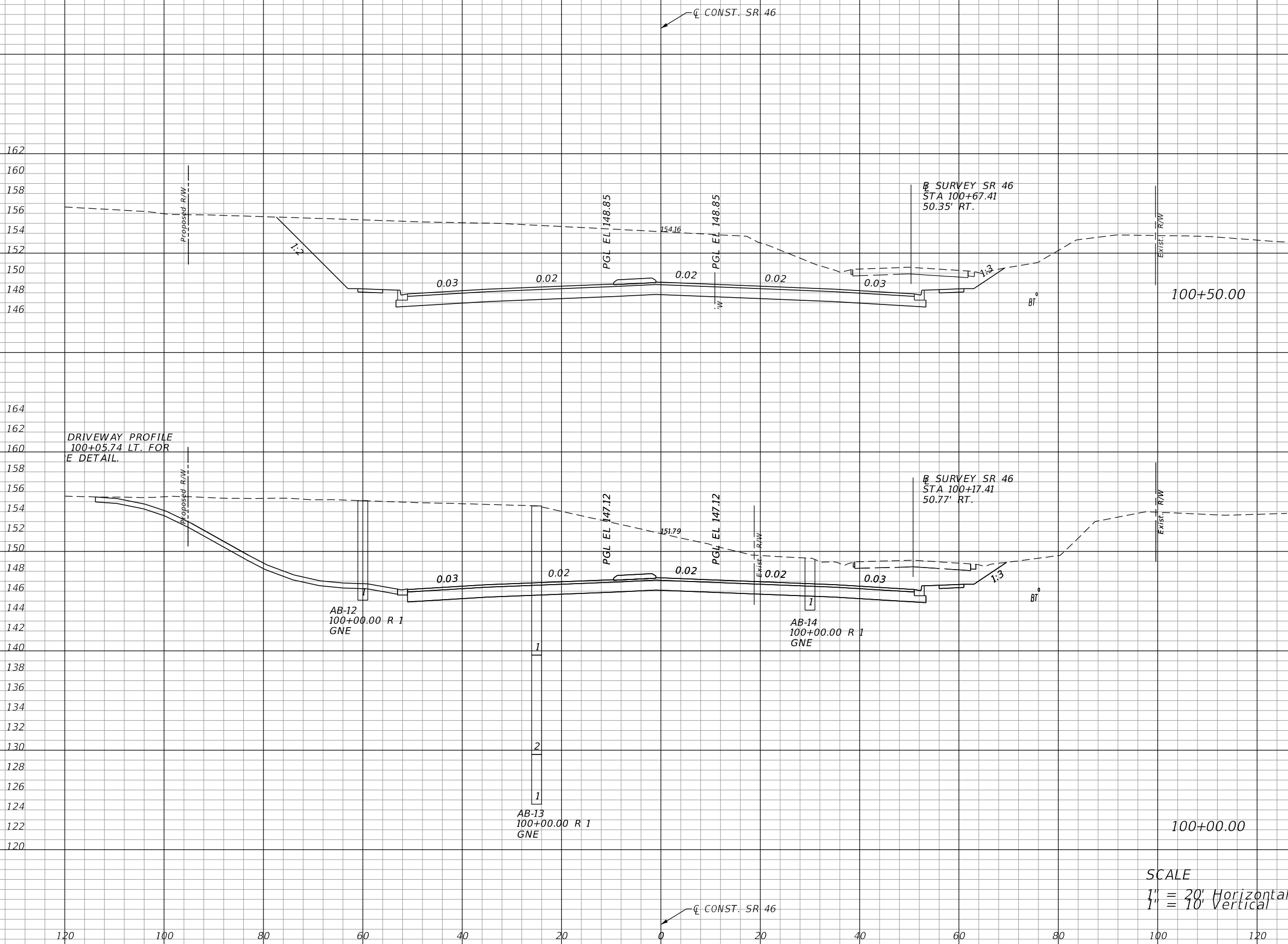
LOCHRANE ENGINEERING, INC.
 201 SOUTH BUMBY AVENUE
 ORLANDO, FLORIDA 32803
 (407) 896-3317
 FOREST W. ADKINS, P.E.
 P.E. NUMBER 56003
 CERTIFICATE OF AUTHORIZATION NO. 2856

STATE OF FLORIDA DEPARTMENT OF TRANSPORTATION		
ROAD NO.	COUNTY	FINANCIAL PROJECT ID
46	LAKE	238275-3-52-01

CROSS SECTIONS
SR 46

SHEET NO.
 98

NOTICE: THE OFFICIAL RECORD OF THIS SHEET IS THE ELECTRONIC FILE SIGNED AND SEALED UNDER RULE 61G15-23.003, F.A.C.



Regular		Exc.		Embankment	
A	V	A	V	A	V
799		0			
1696		0			
1032		0			
1935		0			

SCALE
 1" = 20' Horizontal
 1" = 10' Vertical

REVISIONS			
DATE	DESCRIPTION	DATE	DESCRIPTION

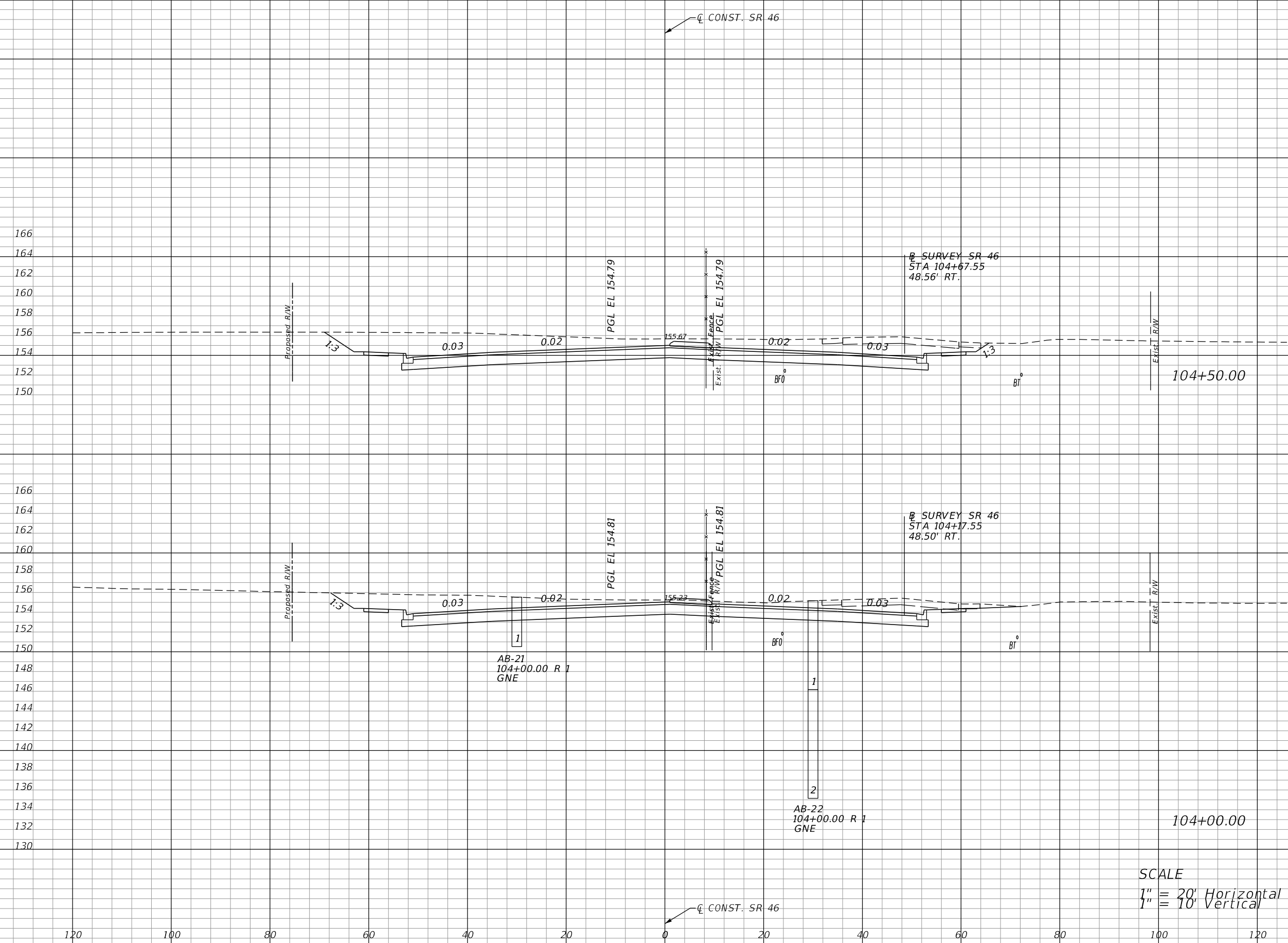
LOCHRANE ENGINEERING, INC.
 201 SOUTH BUMBY AVENUE
 ORLANDO, FLORIDA 32803
 (407) 896-3317
 FOREST W. ADKINS, P.E.
 P.E. NUMBER 56003
 CERTIFICATE OF AUTHORIZATION NO. 2856

STATE OF FLORIDA DEPARTMENT OF TRANSPORTATION		
ROAD NO.	COUNTY	FINANCIAL PROJECT ID
46	LAKE	238275-3-52-01

CROSS SECTIONS
SR 46

SHEET NO.
 101

NOTICE: THE OFFICIAL RECORD OF THIS SHEET IS THE ELECTRONIC FILE SIGNED AND SEALED UNDER RULE 61G15-23.003, F.A.C.



Regular		Exc.		Embankment	
A	V	A	V	A	V
324		0			
	536				0
255		0			
	406				0

SCALE
 1" = 20' Horizontal
 1" = 10' Vertical

REVISIONS			
DATE	DESCRIPTION	DATE	DESCRIPTION

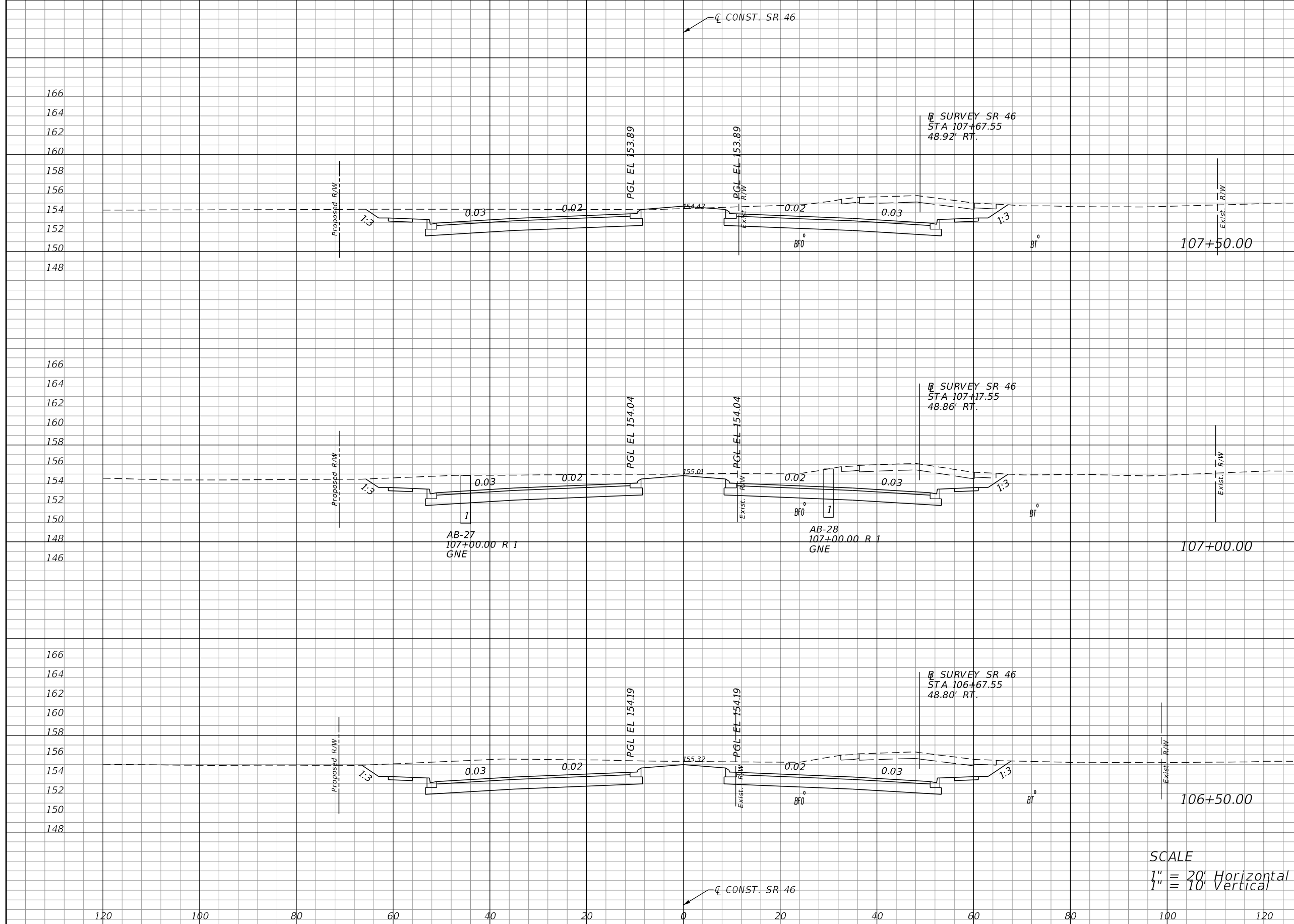
LOCHRANE ENGINEERING, INC.
 201 SOUTH BUMBY AVENUE
 ORLANDO, FLORIDA 32803
 (407) 896-3317
 FOREST W. ADKINS, P.E.
 P.E. NUMBER 56003
 CERTIFICATE OF AUTHORIZATION NO. 2856

STATE OF FLORIDA DEPARTMENT OF TRANSPORTATION		
ROAD NO.	COUNTY	FINANCIAL PROJECT ID
46	LAKE	238275-3-52-01

CROSS SECTIONS
SR 46

SHEET NO.
 104

NOTICE: THE OFFICIAL RECORD OF THIS SHEET IS THE ELECTRONIC FILE SIGNED AND SEALED UNDER RULE 61G15-23.003, F.A.C.



Regular		Exc.		Embankment	
A	V	A	V	A	V
264			2		
	520				2
298			0		
	578				0
326			0		
	626				0

SCALE
 1" = 20' Horizontal
 1" = 10' Vertical

REVISIONS			
DATE	DESCRIPTION	DATE	DESCRIPTION

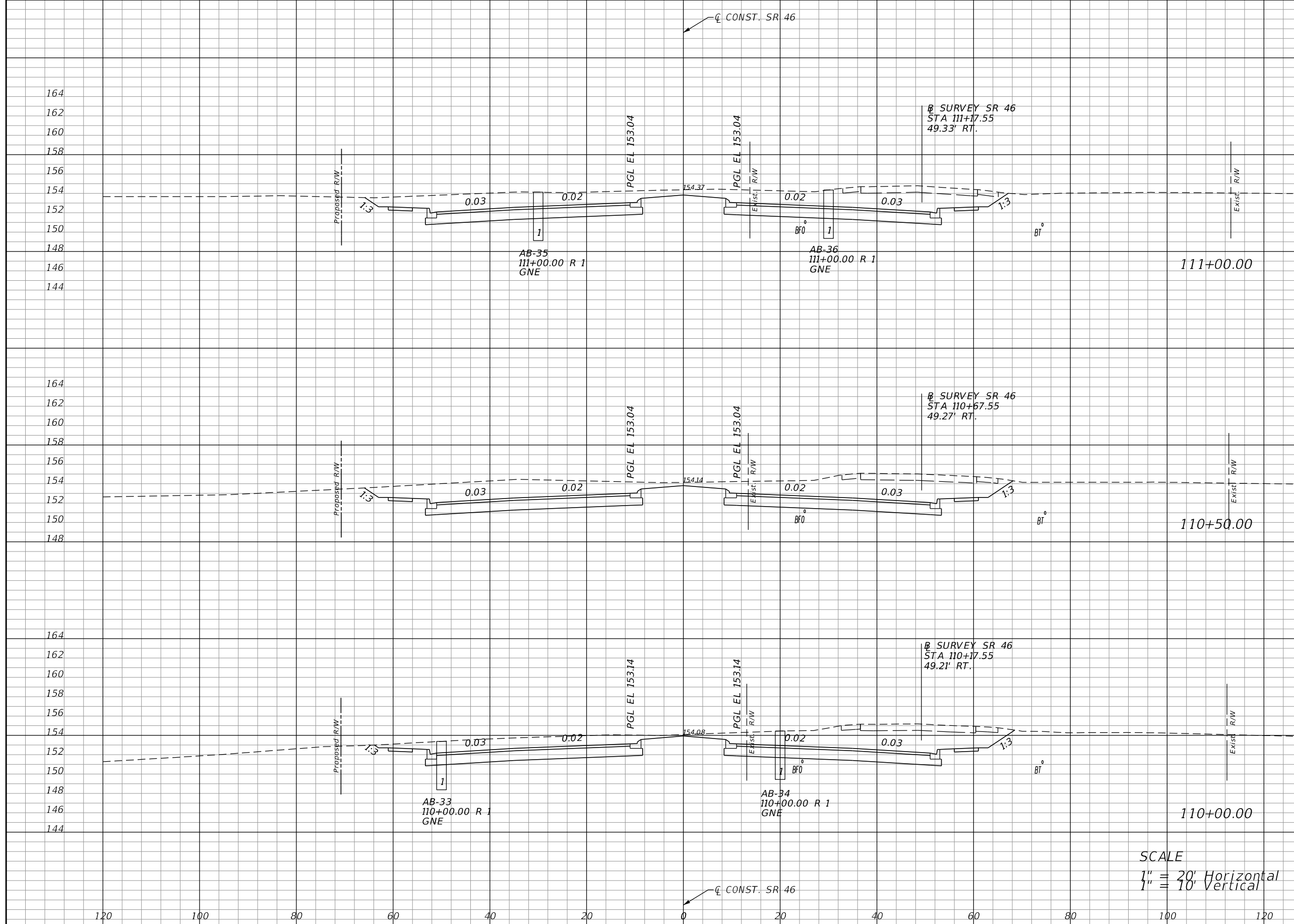
LOCHRANE ENGINEERING, INC.
 201 SOUTH BUMBAY AVENUE
 ORLANDO, FLORIDA 32803
 (407) 896-3317
 FOREST W. ADKINS, P.E.
 P.E. NUMBER 56003
 CERTIFICATE OF AUTHORIZATION NO. 2856

STATE OF FLORIDA DEPARTMENT OF TRANSPORTATION		
ROAD NO.	COUNTY	FINANCIAL PROJECT ID
46	LAKE	238275-3-52-01

CROSS SECTIONS
SR 46

SHEET NO.
 106

NOTICE: THE OFFICIAL RECORD OF THIS SHEET IS THE ELECTRONIC FILE SIGNED AND SEALED UNDER RULE 61G15-23.003, F.A.C.



Regular		Exc.		Embankment	
A	V	A	V	A	V
310			0		
333			0		
295			0		
515			1		

SCALE
 1" = 20' Horizontal
 1" = 10' Vertical

REVISIONS			
DATE	DESCRIPTION	DATE	DESCRIPTION

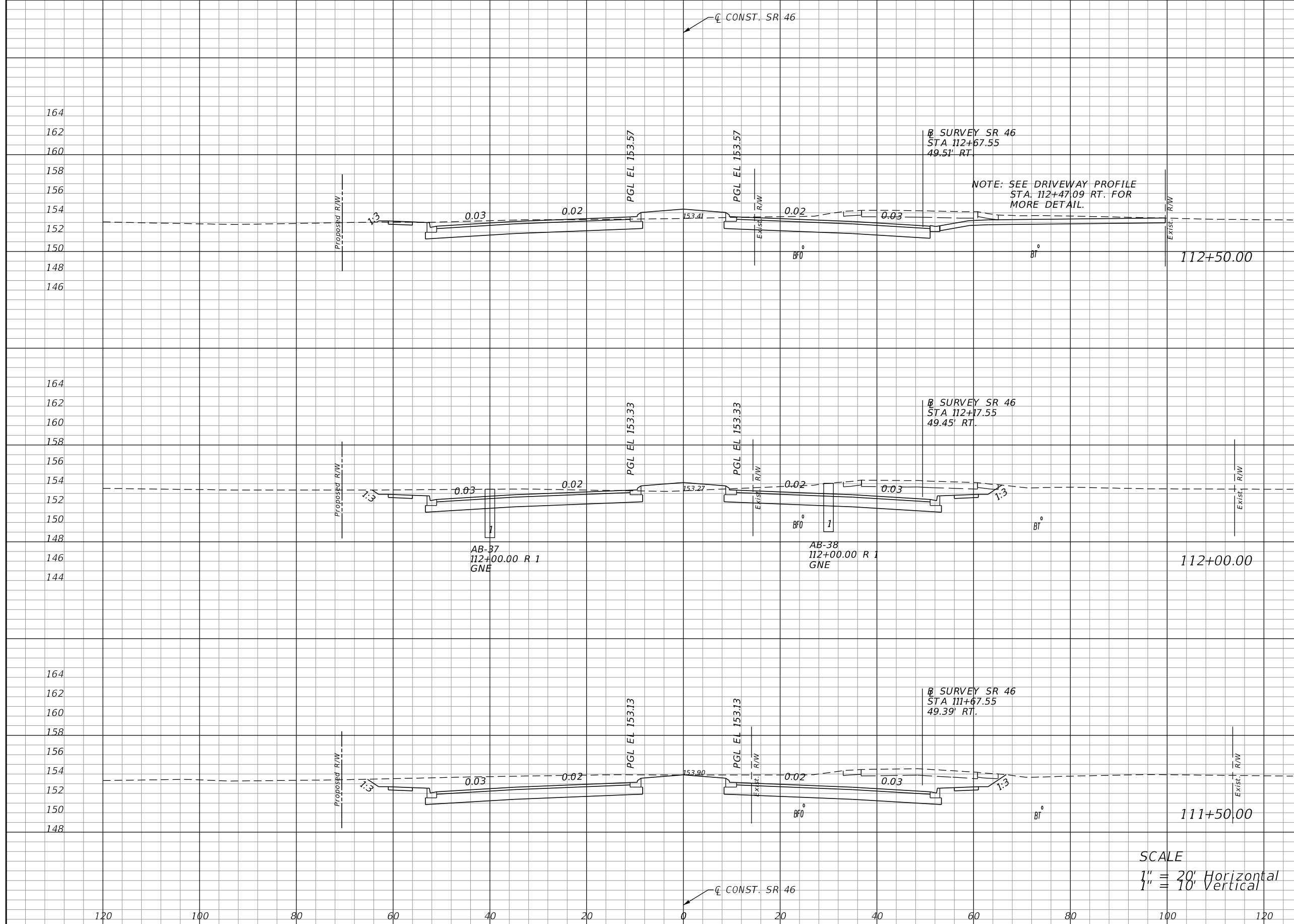
LOCHRANE ENGINEERING, INC.
 201 SOUTH BUMBY AVENUE
 ORLANDO, FLORIDA 32803
 (407) 896-3317
 FOREST W. ADKINS, P.E.
 P.E. NUMBER 56003
 CERTIFICATE OF AUTHORIZATION NO. 2856

STATE OF FLORIDA DEPARTMENT OF TRANSPORTATION		
ROAD NO.	COUNTY	FINANCIAL PROJECT ID
46	LAKE	238275-3-52-01

CROSS SECTIONS
SR 46

SHEET NO.
 109

NOTICE: THE OFFICIAL RECORD OF THIS SHEET IS THE ELECTRONIC FILE SIGNED AND SEALED UNDER RULE 61G15-23.003, F.A.C.



Regular		Exc.		Embankment	
A	V	A	V	A	V
193			14		
205	368		12		23
263	433		0		11
	530		0		0

SCALE
 1" = 20' Horizontal
 1" = 10' Vertical

REVISIONS			
DATE	DESCRIPTION	DATE	DESCRIPTION

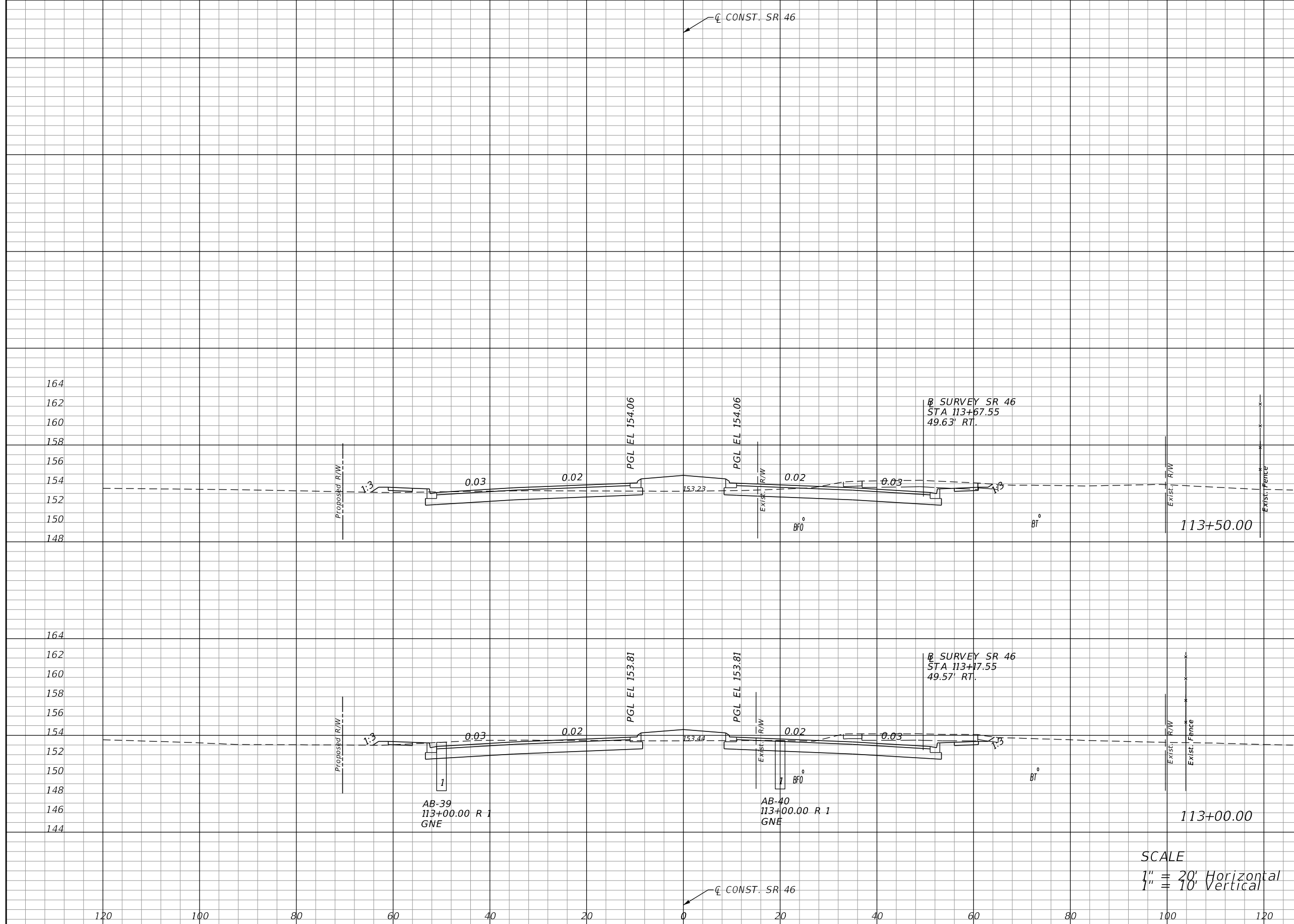
LOCHRANE ENGINEERING, INC.
 201 SOUTH BUMBAY AVENUE
 ORLANDO, FLORIDA 32803
 (407) 896-3317
 FOREST W. ADKINS, P.E.
 P.E. NUMBER 56003
 CERTIFICATE OF AUTHORIZATION NO. 2856

STATE OF FLORIDA DEPARTMENT OF TRANSPORTATION		
ROAD NO.	COUNTY	FINANCIAL PROJECT ID
46	LAKE	238275-3-52-01

CROSS SECTIONS
SR 46

SHEET NO.
 110

NOTICE: THE OFFICIAL RECORD OF THIS SHEET IS THE ELECTRONIC FILE SIGNED AND SEALED UNDER RULE 61G15-23.003, F.A.C.



Regular		Exc.		Embankment	
A	V	A	V	A	V
113			28		
144		238		43	
		312			30

SCALE
 1" = 20' Horizontal
 1" = 10' Vertical

REVISIONS			
DATE	DESCRIPTION	DATE	DESCRIPTION

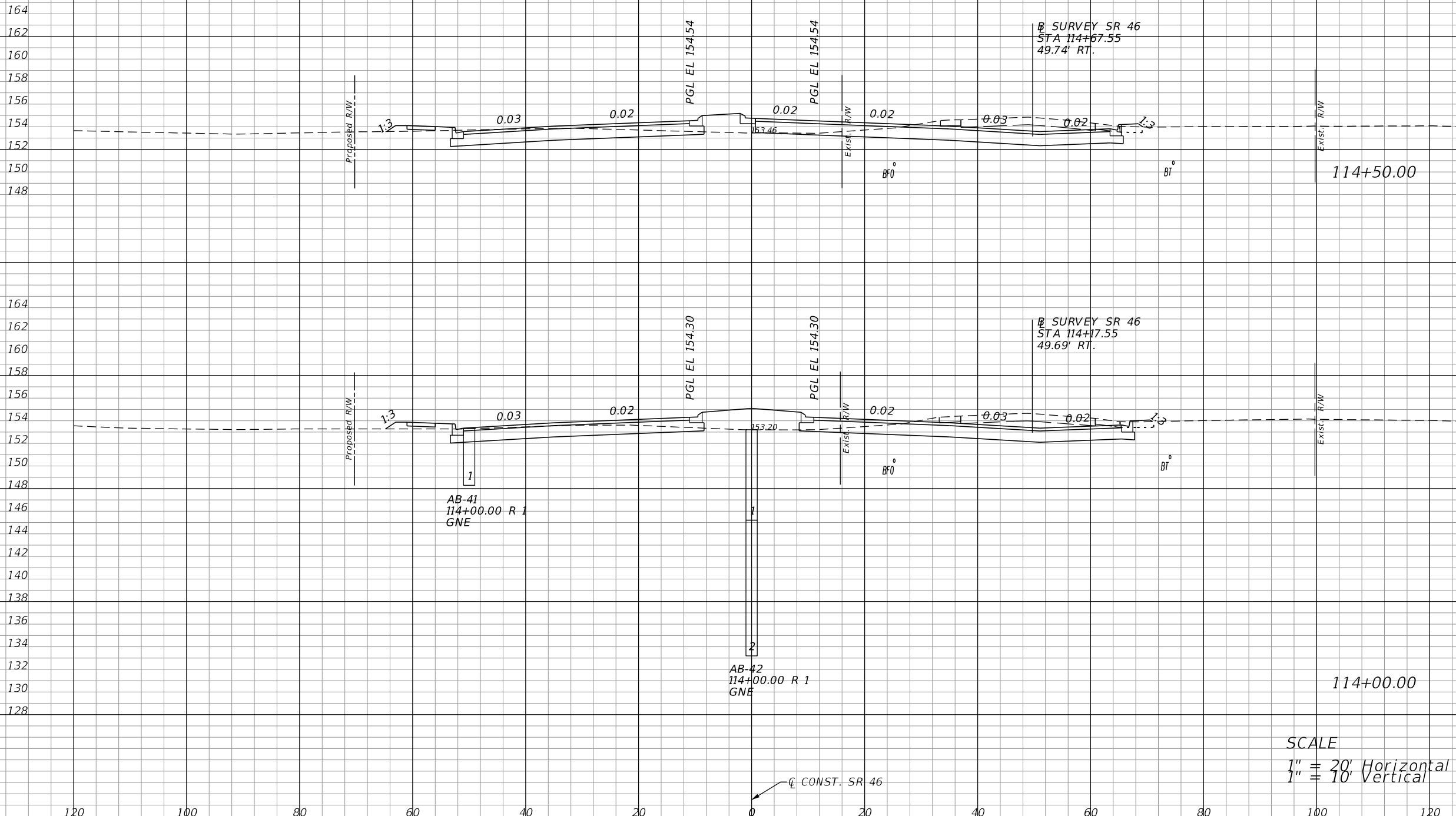
LOCHRANE ENGINEERING, INC.
 201 SOUTH BUMBY AVENUE
 ORLANDO, FLORIDA 32803
 (407) 896-3317
 FOREST W. ADKINS, P.E.
 P.E. NUMBER 56003
 CERTIFICATE OF AUTHORIZATION NO. 2856

STATE OF FLORIDA DEPARTMENT OF TRANSPORTATION		
ROAD NO.	COUNTY	FINANCIAL PROJECT ID
46	LAKE	238275-3-52-01

CROSS SECTIONS
SR 46

SHEET NO.
 111

NOTICE: THE OFFICIAL RECORD OF THIS SHEET IS THE ELECTRONIC FILE SIGNED AND SEALED UNDER RULE 61G15-23.003, F.A.C.



Regular		Exc.		Embankment	
A	V	A	V	A	V
124				16	
	233				46
128				34	
		222			58

SCALE
 1" = 20' Horizontal
 1" = 10' Vertical

REVISIONS			
DATE	DESCRIPTION	DATE	DESCRIPTION

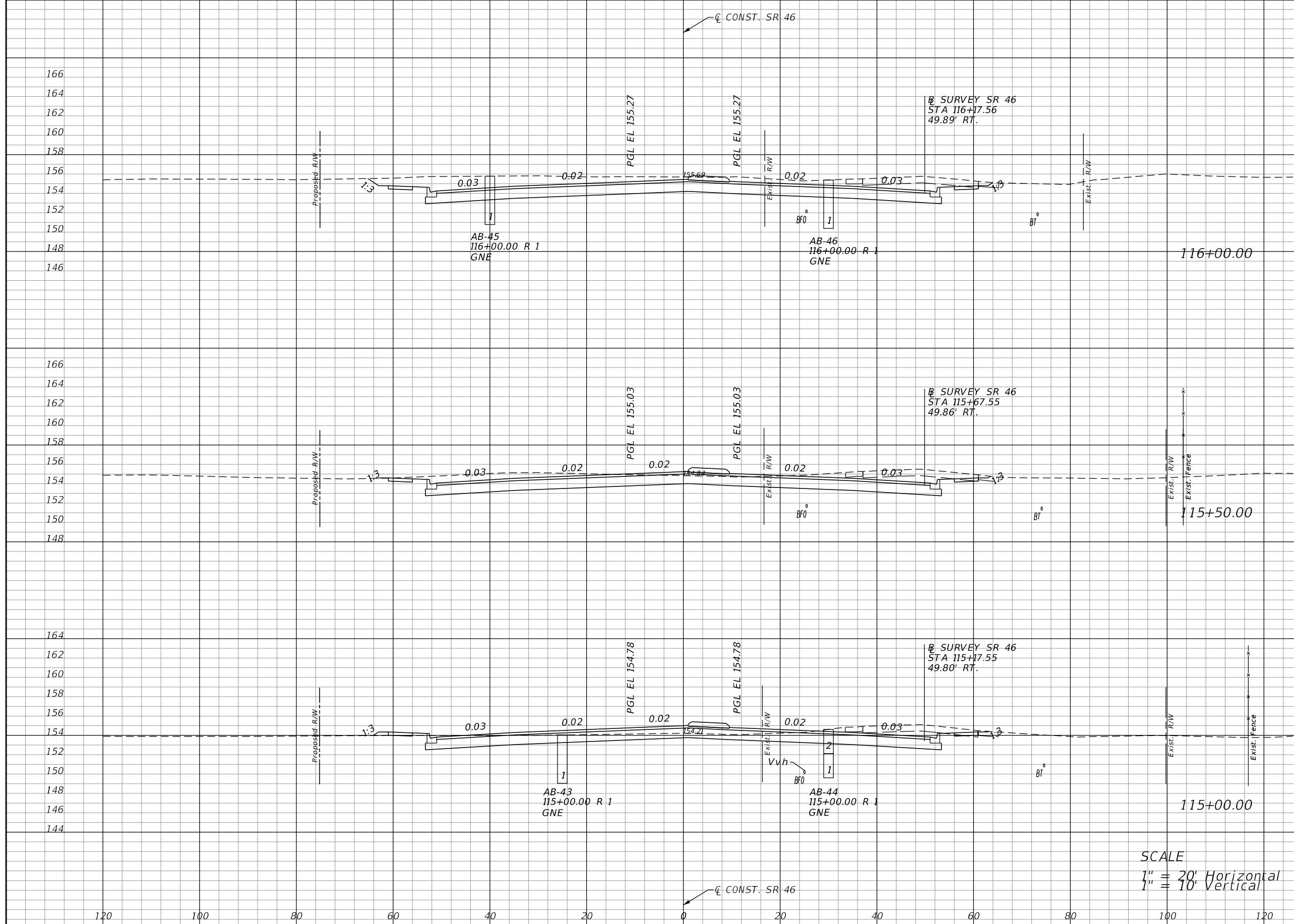
LOCHRANE ENGINEERING, INC.
 201 SOUTH BUMBY AVENUE
 ORLANDO, FLORIDA 32803
 (407) 896-3317
 FOREST W. ADKINS, P.E.
 P.E. NUMBER 56003
 CERTIFICATE OF AUTHORIZATION NO. 2856

STATE OF FLORIDA DEPARTMENT OF TRANSPORTATION		
ROAD NO.	COUNTY	FINANCIAL PROJECT ID
46	LAKE	238275-3-52-01

CROSS SECTIONS
SR 46

SHEET NO.
 112

NOTICE: THE OFFICIAL RECORD OF THIS SHEET IS THE ELECTRONIC FILE SIGNED AND SEALED UNDER RULE 61G15-23.003, F.A.C.



Regular		Exc.		Embankment	
A	V	A	V	A	V
235			0		
	381		0		
		176	0		
				278	2
				124	2
		229			16

SCALE
 1" = 20' Horizontal
 1" = 10' Vertical

REVISIONS			
DATE	DESCRIPTION	DATE	DESCRIPTION

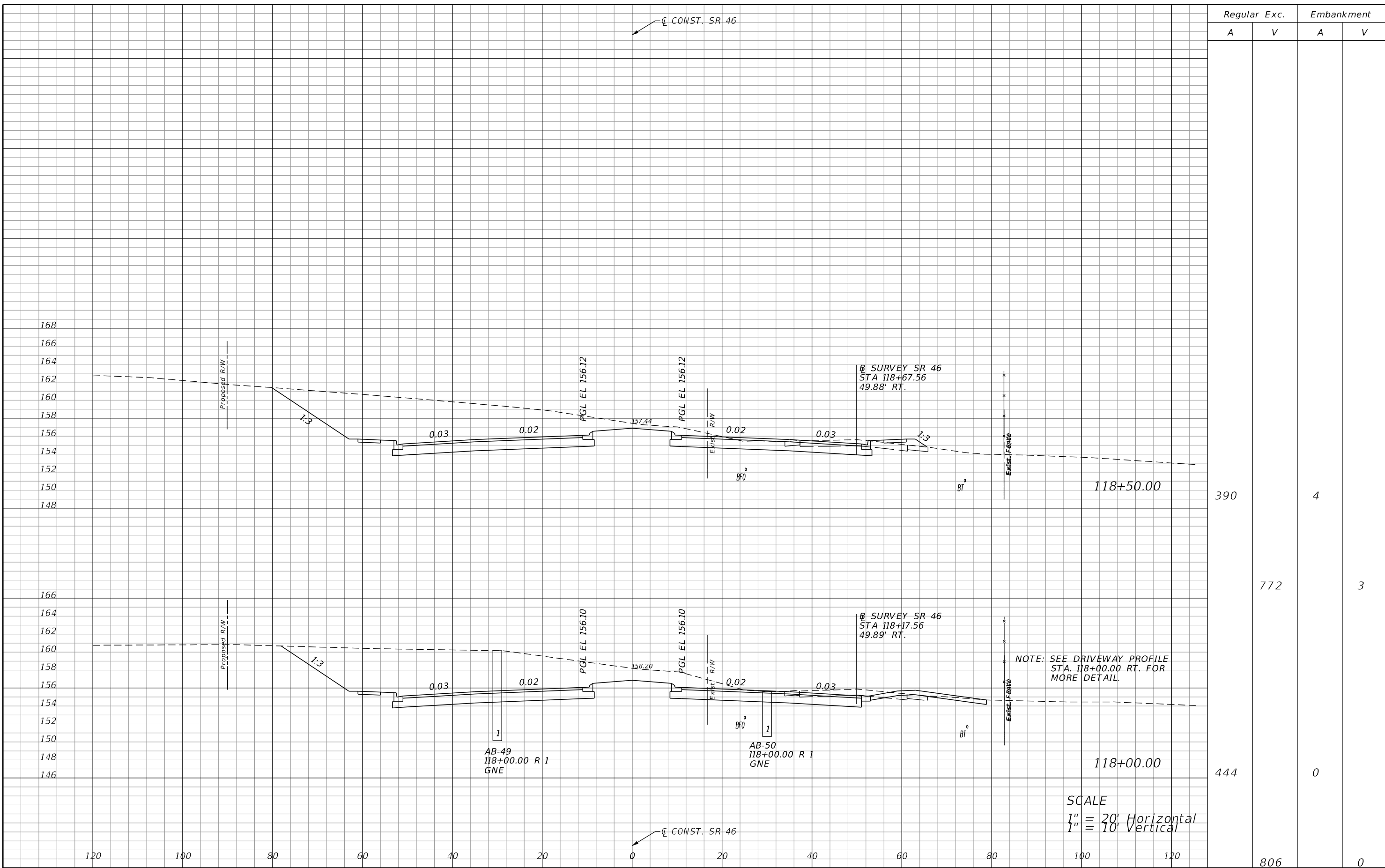
LOCHRANE ENGINEERING, INC.
 201 SOUTH BUMBY AVENUE
 ORLANDO, FLORIDA 32803
 (407) 896-3317
 FOREST W. ADKINS, P.E.
 P.E. NUMBER 56003
 CERTIFICATE OF AUTHORIZATION NO. 2856

STATE OF FLORIDA DEPARTMENT OF TRANSPORTATION		
ROAD NO.	COUNTY	FINANCIAL PROJECT ID
46	LAKE	238275-3-52-01

CROSS SECTIONS
SR 46

SHEET NO.
 113

NOTICE: THE OFFICIAL RECORD OF THIS SHEET IS THE ELECTRONIC FILE SIGNED AND SEALED UNDER RULE 61G15-23.003, F.A.C.



NOTE: SEE DRIVEWAY PROFILE STA. 118+00.00 RT. FOR MORE DETAIL.

SCALE
 1" = 20' Horizontal
 1" = 10' Vertical

REVISIONS			
DATE	DESCRIPTION	DATE	DESCRIPTION

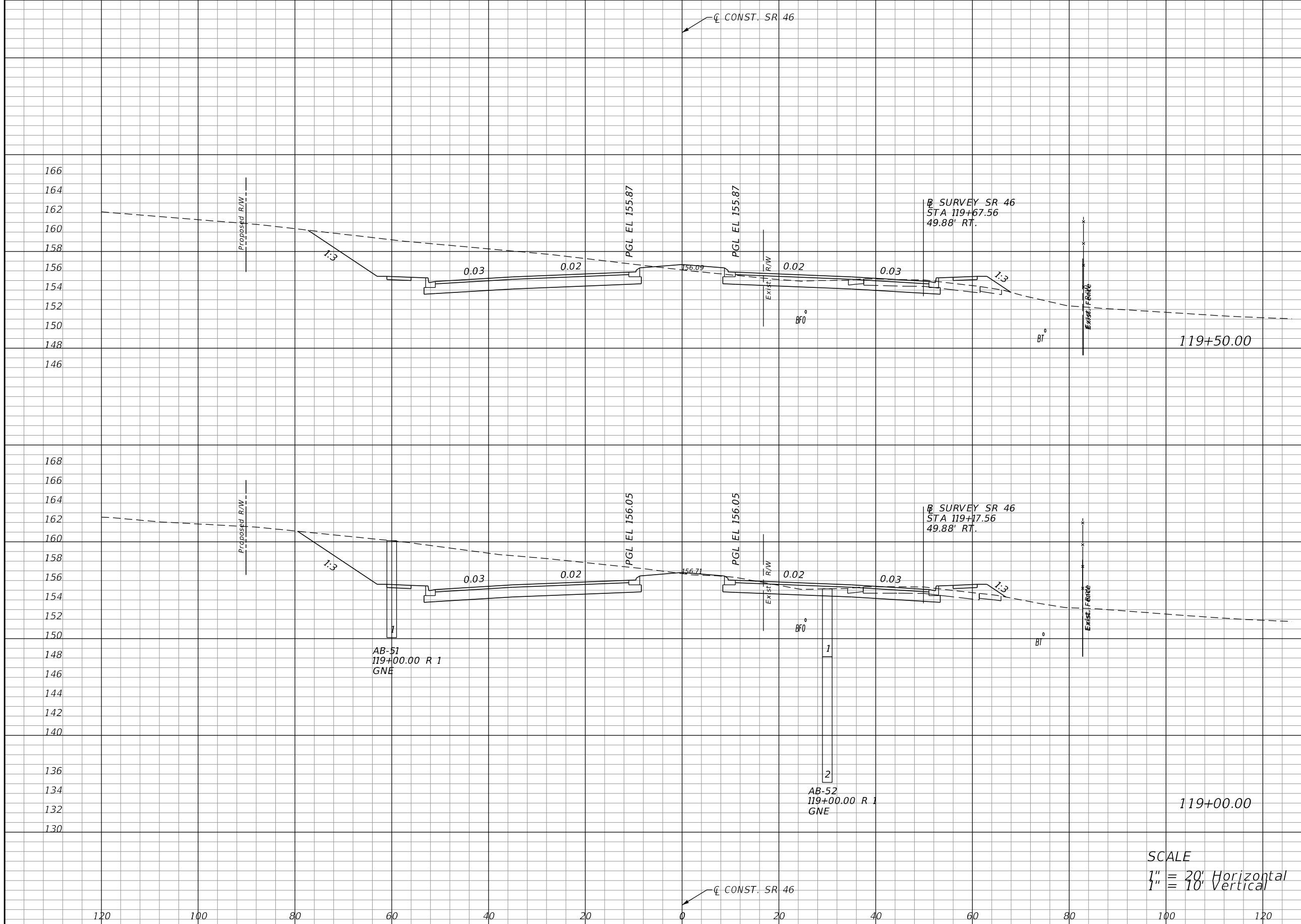
LOCHRANE ENGINEERING, INC.
 201 SOUTH BUMBY AVENUE
 ORLANDO, FLORIDA 32803
 (407) 896-3317
 FOREST W. ADKINS, P.E.
 P.E. NUMBER 56003
 CERTIFICATE OF AUTHORIZATION NO. 2856

STATE OF FLORIDA DEPARTMENT OF TRANSPORTATION		
ROAD NO.	COUNTY	FINANCIAL PROJECT ID
46	LAKE	238275-3-52-01

CROSS SECTIONS
SR 46

SHEET NO.
115

NOTICE: THE OFFICIAL RECORD OF THIS SHEET IS THE ELECTRONIC FILE SIGNED AND SEALED UNDER RULE 61G15-23.003, F.A.C.



Regular		Exc.		Embankment	
A	V	A	V	A	V
272			16		
	545			22	
318			8		
	655			10	

REVISIONS			
DATE	DESCRIPTION	DATE	DESCRIPTION

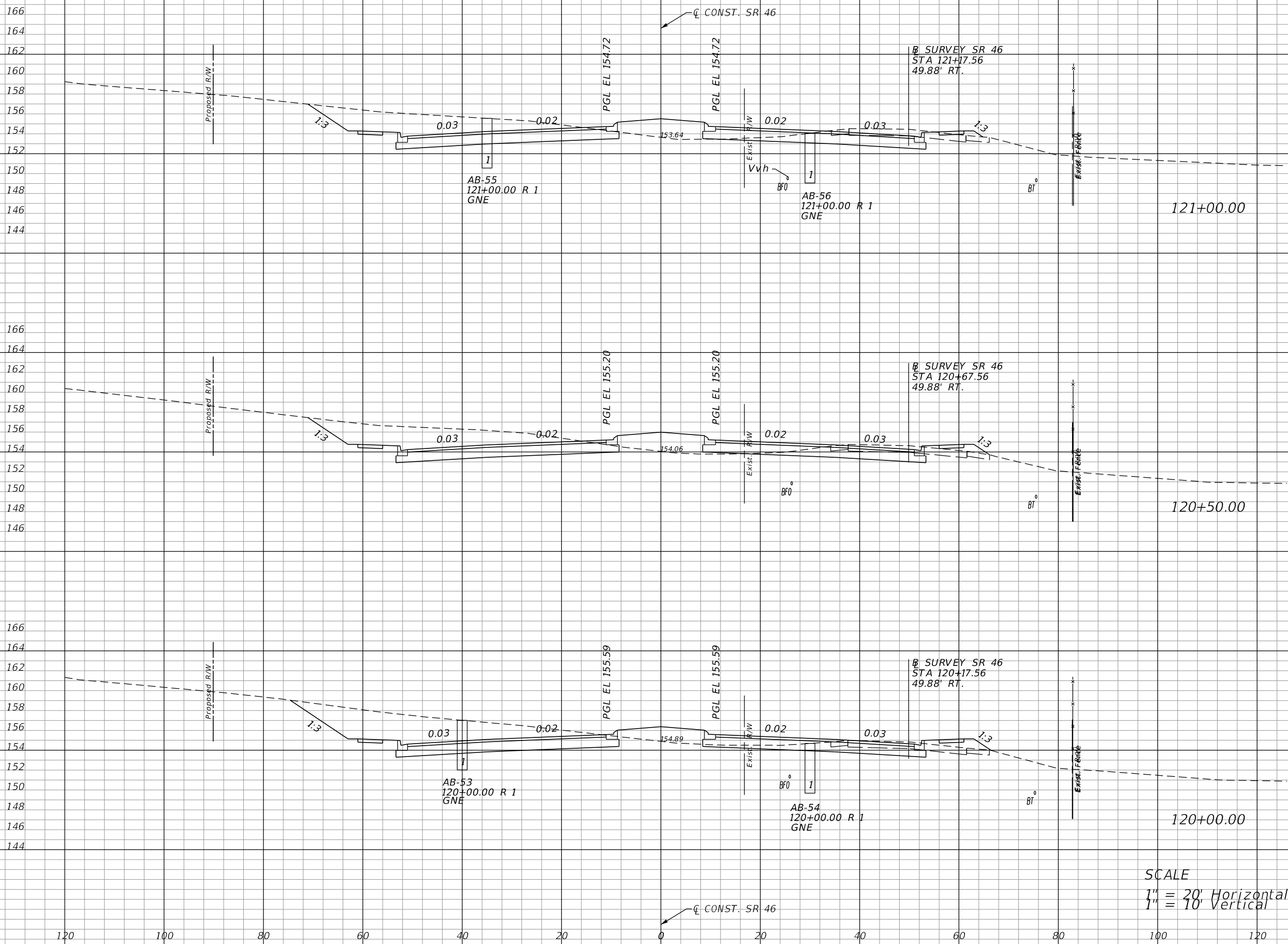
LOCHRANE ENGINEERING, INC.
 201 SOUTH BUMBY AVENUE
 ORLANDO, FLORIDA 32803
 (407) 896-3317
 FOREST W. ADKINS, P.E.
 P.E. NUMBER 56003
 CERTIFICATE OF AUTHORIZATION NO. 2856

STATE OF FLORIDA DEPARTMENT OF TRANSPORTATION		
ROAD NO.	COUNTY	FINANCIAL PROJECT ID
46	LAKE	238275-3-52-01

CROSS SECTIONS
SR 46

SHEET NO.
 116

NOTICE: THE OFFICIAL RECORD OF THIS SHEET IS THE ELECTRONIC FILE SIGNED AND SEALED UNDER RULE 61G15-23.003, F.A.C.



Station	Regular		Exc.		Embankment	
	A	V	A	V	A	V
121+00.00	178		30			
120+50.00	170	322	35	60		
120+00.00	203	345	29	59		
TOTAL	440		42			

SCALE
 1" = 20' Horizontal
 1" = 10' Vertical

REVISIONS			
DATE	DESCRIPTION	DATE	DESCRIPTION

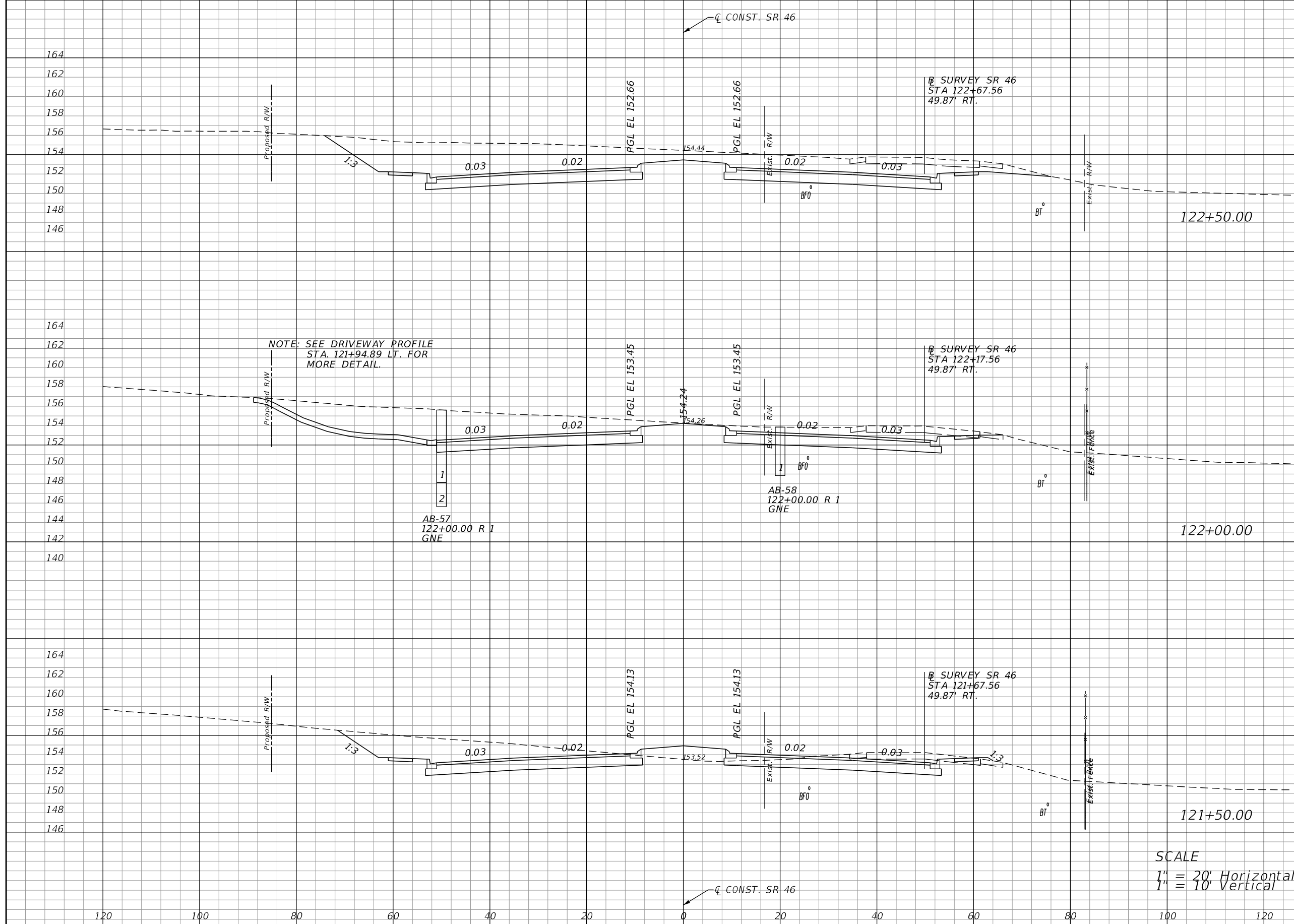
LOCHRANE ENGINEERING, INC.
 201 SOUTH BUMBY AVENUE
 ORLANDO, FLORIDA 32803
 (407) 896-3317
 FOREST W. ADKINS, P.E.
 P.E. NUMBER 56003
 CERTIFICATE OF AUTHORIZATION NO. 2856

STATE OF FLORIDA DEPARTMENT OF TRANSPORTATION		
ROAD NO.	COUNTY	FINANCIAL PROJECT ID
46	LAKE	238275-3-52-01

CROSS SECTIONS
SR 46

SHEET NO.
 117

NOTICE: THE OFFICIAL RECORD OF THIS SHEET IS THE ELECTRONIC FILE SIGNED AND SEALED UNDER RULE 61G15-23.003, F.A.C.



Regular		Exc.		Embankment	
A	V	A	V	A	V
401			0		
	692		0		
346			0		
	515		20		
210			22		
		359			48

SCALE
 1" = 20' Horizontal
 1" = 10' Vertical

REVISIONS			
DATE	DESCRIPTION	DATE	DESCRIPTION

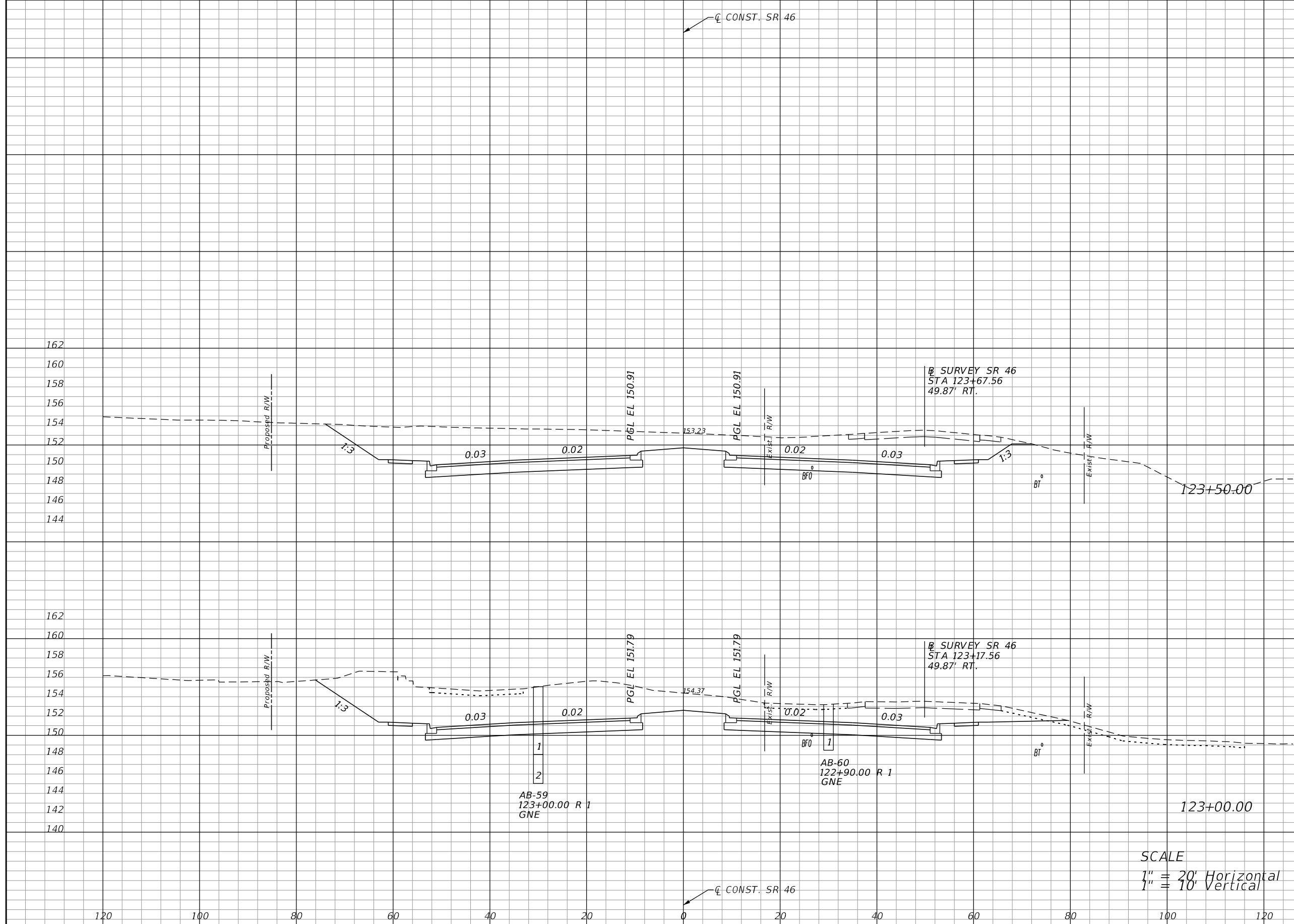
LOCHRANE ENGINEERING, INC.
 201 SOUTH BUMBY AVENUE
 ORLANDO, FLORIDA 32803
 (407) 896-3317
 FOREST W. ADKINS, P.E.
 P.E. NUMBER 56003
 CERTIFICATE OF AUTHORIZATION NO. 2856

STATE OF FLORIDA DEPARTMENT OF TRANSPORTATION		
ROAD NO.	COUNTY	FINANCIAL PROJECT ID
46	LAKE	238275-3-52-01

CROSS SECTIONS
SR 46

SHEET NO.
 118

NOTICE: THE OFFICIAL RECORD OF THIS SHEET IS THE ELECTRONIC FILE SIGNED AND SEALED UNDER RULE 61G15-23.003, F.A.C.



Regular		Exc.		Embankment	
A	V	A	V	A	V
490				0	
937				0	
522				0	
855				0	

SCALE
 1" = 20' Horizontal
 1" = 10' Vertical

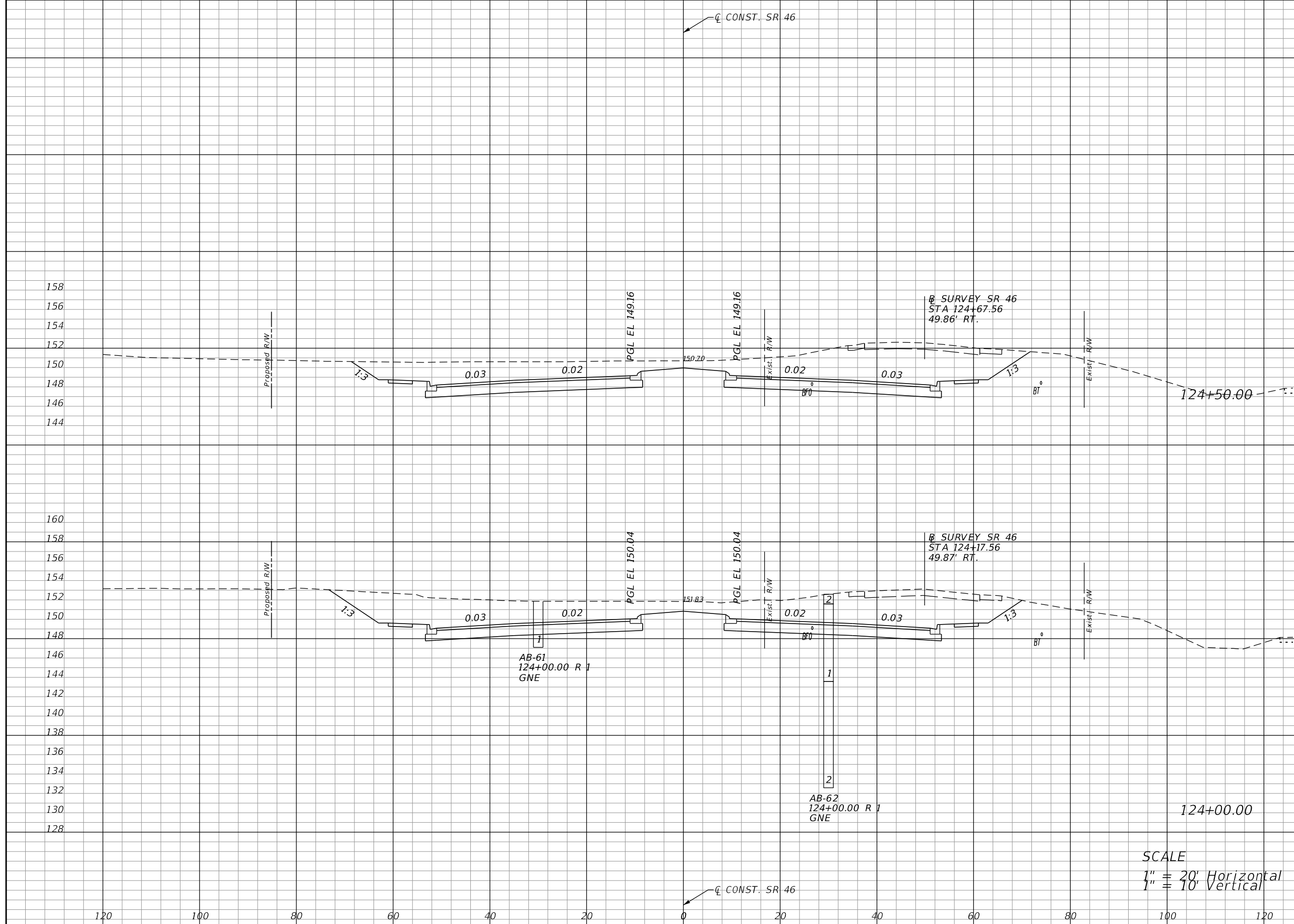
REVISIONS			
DATE	DESCRIPTION	DATE	DESCRIPTION

LOCHRANE ENGINEERING, INC.
 201 SOUTH BUMBY AVENUE
 ORLANDO, FLORIDA 32803
 (407) 896-3317
 FOREST W. ADKINS, P.E.
 P.E. NUMBER 56003
 CERTIFICATE OF AUTHORIZATION NO. 2856

STATE OF FLORIDA DEPARTMENT OF TRANSPORTATION		
ROAD NO.	COUNTY	FINANCIAL PROJECT ID
46	LAKE	238275-3-52-01

CROSS SECTIONS SR 46		SHEET NO.
		119

NOTICE: THE OFFICIAL RECORD OF THIS SHEET IS THE ELECTRONIC FILE SIGNED AND SEALED UNDER RULE 61G15-23.003, F.A.C.



Regular		Exc.		Embankment	
A	V	A	V	A	V
425				0	
	815				0
456				0	
			876		0

SCALE
 1" = 20' Horizontal
 1" = 10' Vertical

REVISIONS			
DATE	DESCRIPTION	DATE	DESCRIPTION

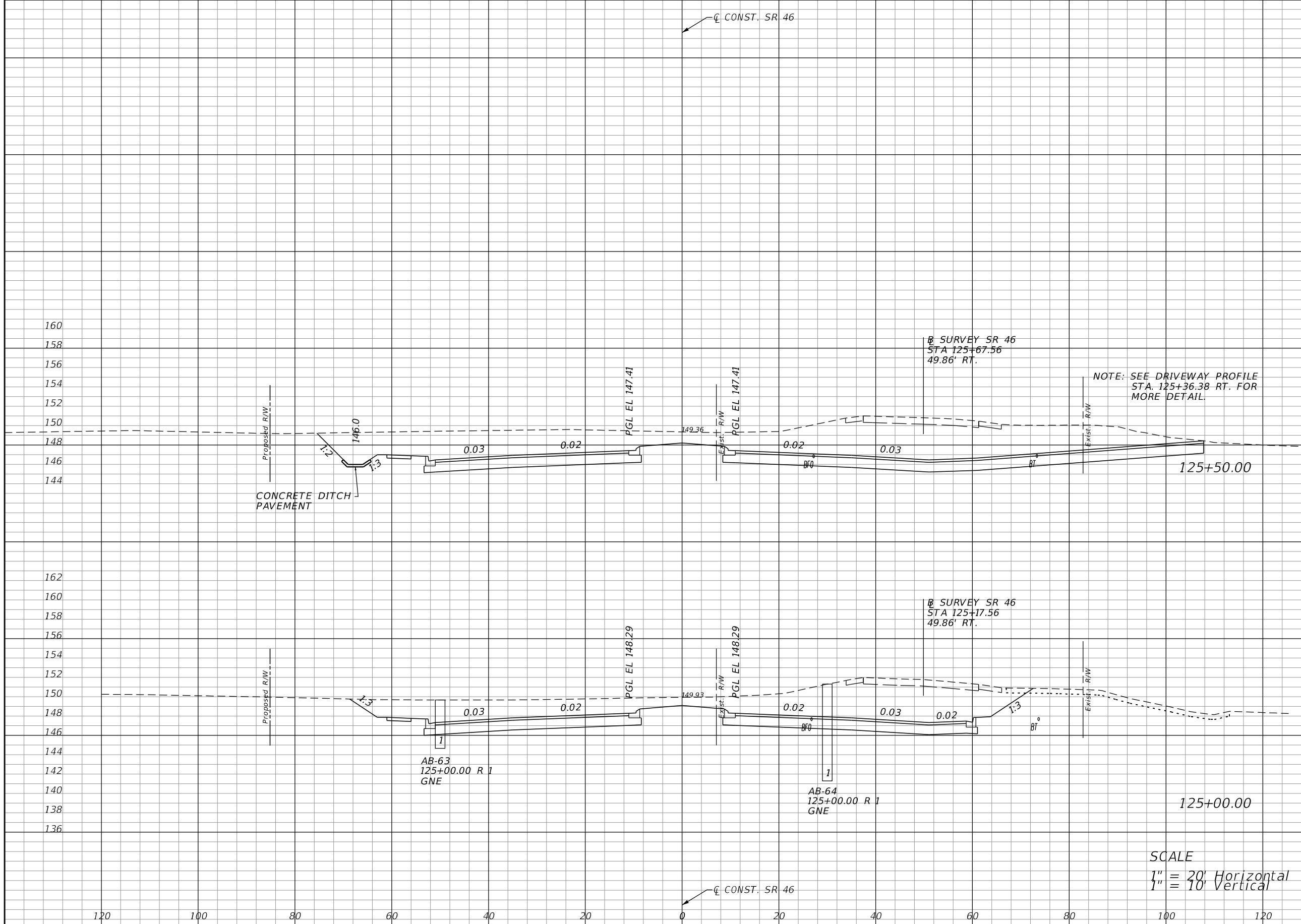
LOCHRANE ENGINEERING, INC.
 201 SOUTH BUMBY AVENUE
 ORLANDO, FLORIDA 32803
 (407) 896-3317
 FOREST W. ADKINS, P.E.
 P.E. NUMBER 56003
 CERTIFICATE OF AUTHORIZATION NO. 2856

STATE OF FLORIDA DEPARTMENT OF TRANSPORTATION		
ROAD NO.	COUNTY	FINANCIAL PROJECT ID
46	LAKE	238275-3-52-01

CROSS SECTIONS
SR 46

SHEET NO.
 120

NOTICE: THE OFFICIAL RECORD OF THIS SHEET IS THE ELECTRONIC FILE SIGNED AND SEALED UNDER RULE 61G15-23.003, F.A.C.



Regular		Exc.		Embankment	
A	V	A	V	A	V
648		0		0	
1013		0		0	
446		0		0	
807		0		0	

SCALE
 1" = 20' Horizontal
 1" = 10' Vertical

REVISIONS			
DATE	DESCRIPTION	DATE	DESCRIPTION

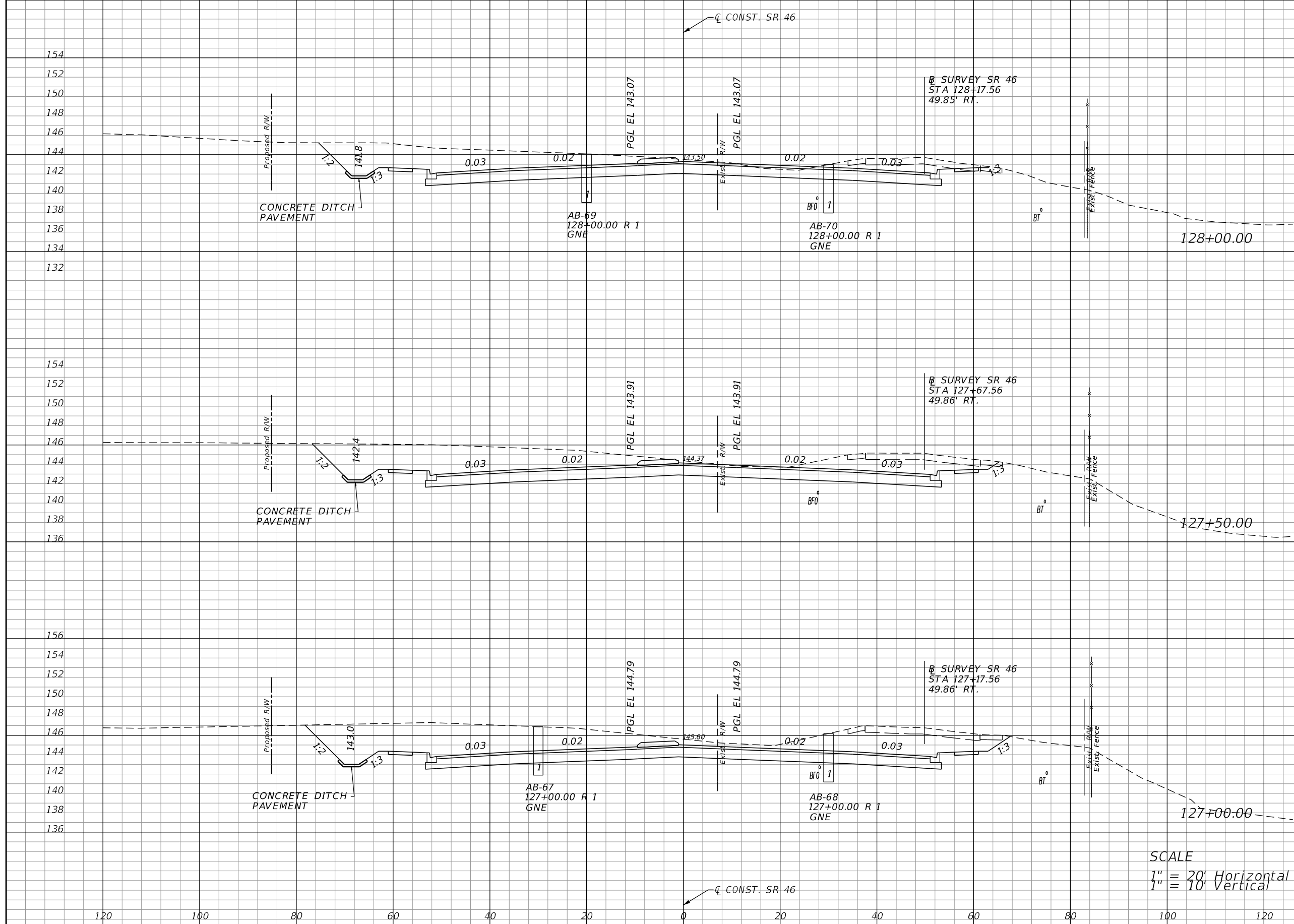
LOCHRANE ENGINEERING, INC.
 201 SOUTH BUMBY AVENUE
 ORLANDO, FLORIDA 32803
 (407) 896-3317
 FOREST W. ADKINS, P.E.
 P.E. NUMBER 56003
 CERTIFICATE OF AUTHORIZATION NO. 2856

STATE OF FLORIDA DEPARTMENT OF TRANSPORTATION		
ROAD NO.	COUNTY	FINANCIAL PROJECT ID
46	LAKE	238275-3-52-01

CROSS SECTIONS
SR 46

SHEET NO.
121

NOTICE: THE OFFICIAL RECORD OF THIS SHEET IS THE ELECTRONIC FILE SIGNED AND SEALED UNDER RULE 61G15-23.003, F.A.C.



Regular		Exc.		Embankment	
A	V	A	V	A	V
294		0			
599		0			
719		0			
424		0			
863		0			

SCALE
 1" = 20' Horizontal
 1" = 10' Vertical

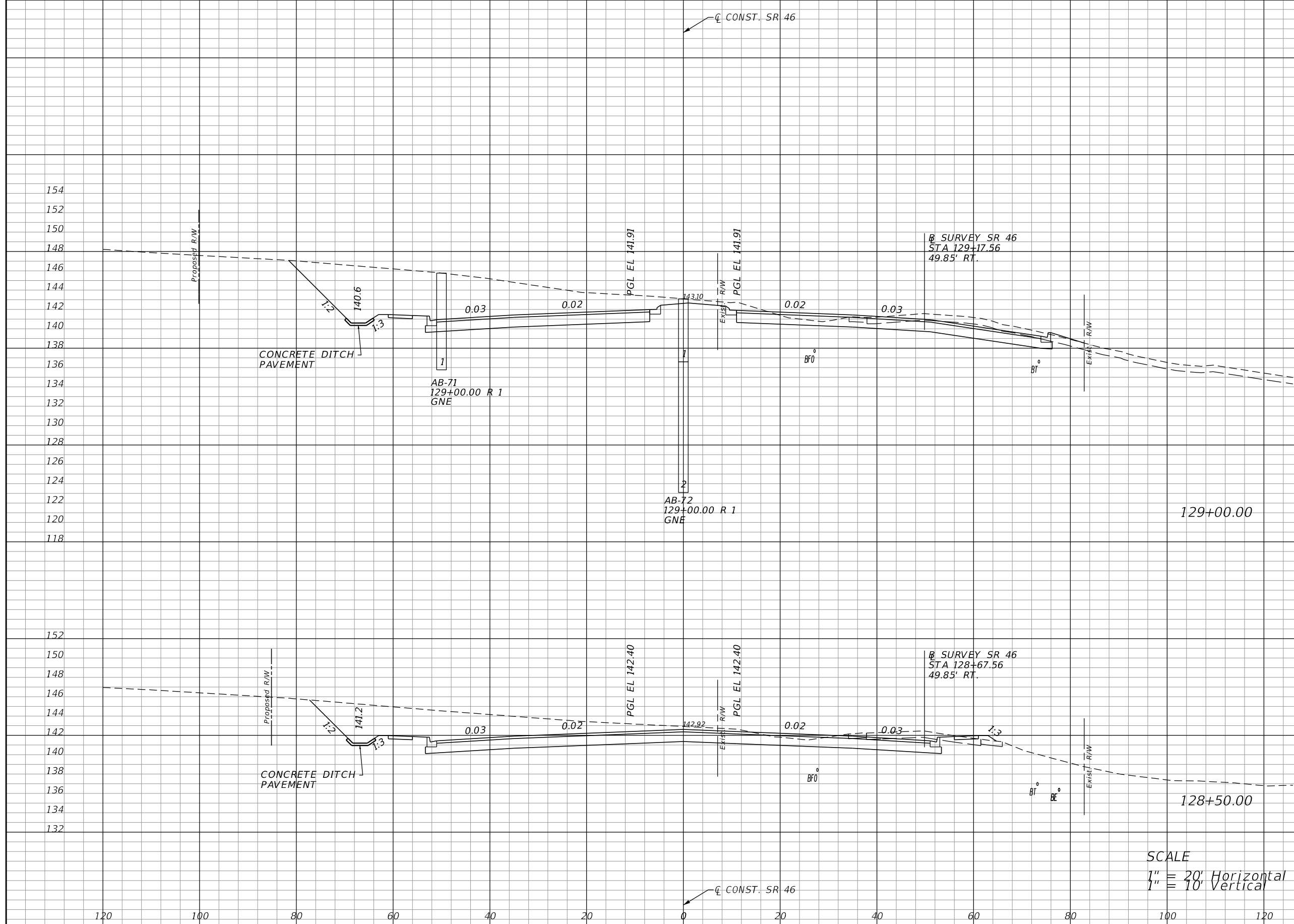
REVISIONS			
DATE	DESCRIPTION	DATE	DESCRIPTION

LOCHRANE ENGINEERING, INC.
 201 SOUTH BUMBY AVENUE
 ORLANDO, FLORIDA 32803
 (407) 896-3317
 FOREST W. ADKINS, P.E.
 P.E. NUMBER 56003
 CERTIFICATE OF AUTHORIZATION NO. 2856

STATE OF FLORIDA DEPARTMENT OF TRANSPORTATION		
ROAD NO.	COUNTY	FINANCIAL PROJECT ID
46	LAKE	238275-3-52-01

CROSS SECTIONS SR 46		SHEET NO.
		123

NOTICE: THE OFFICIAL RECORD OF THIS SHEET IS THE ELECTRONIC FILE SIGNED AND SEALED UNDER RULE 61G15-23.003, F.A.C.



Station	Regular		Exc.		Embankment	
	A	V	A	V	A	V
129+00.00	423				1	
128+50.00	302				1	
	551					1

SCALE
 1" = 20' Horizontal
 1" = 10' Vertical

REVISIONS			
DATE	DESCRIPTION	DATE	DESCRIPTION

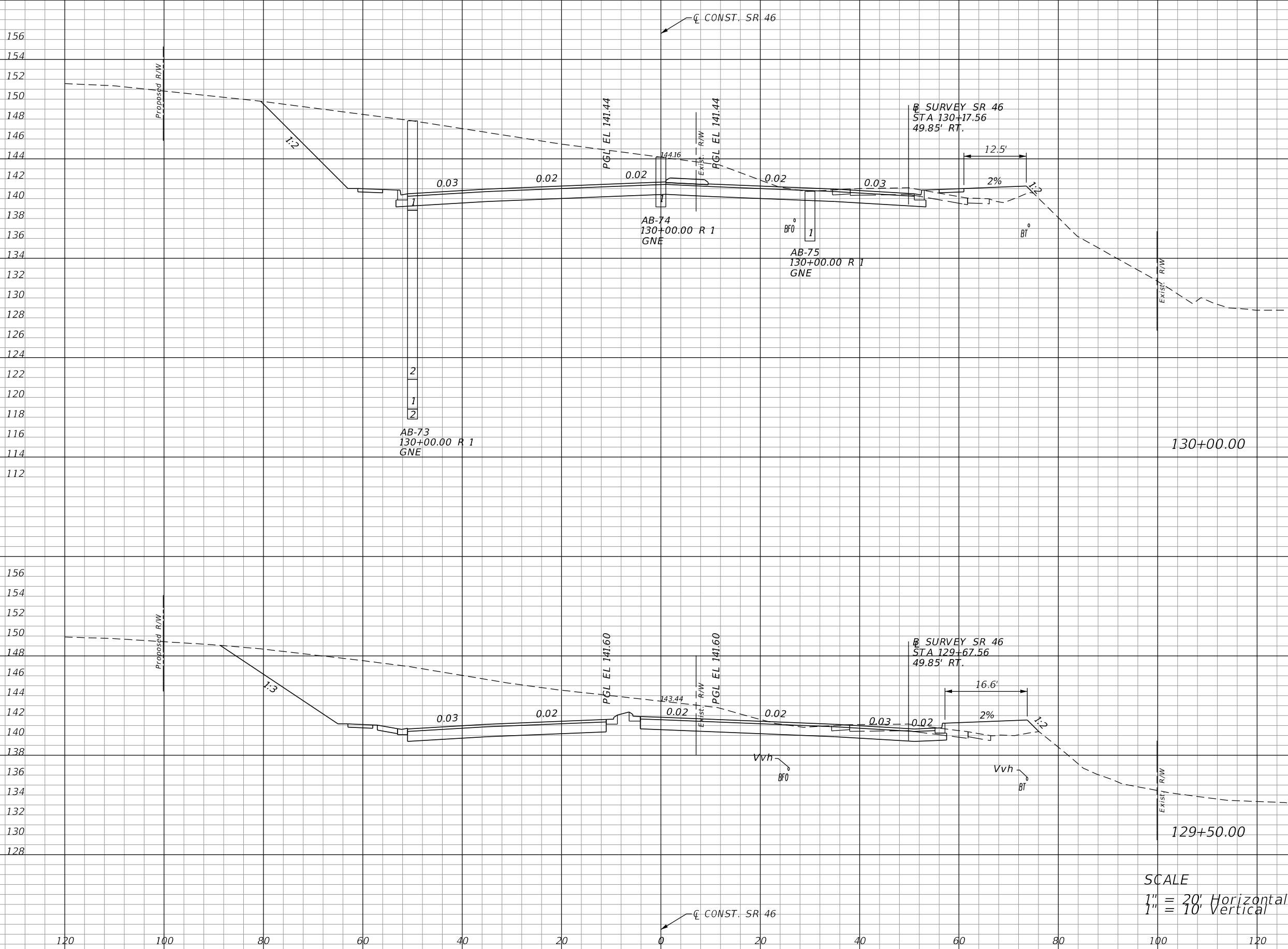
LOCHRANE ENGINEERING, INC.
 201 SOUTH BUMBY AVENUE
 ORLANDO, FLORIDA 32803
 (407) 896-3317
 FOREST W. ADKINS, P.E.
 P.E. NUMBER 56003
 CERTIFICATE OF AUTHORIZATION NO. 2856

STATE OF FLORIDA DEPARTMENT OF TRANSPORTATION		
ROAD NO.	COUNTY	FINANCIAL PROJECT ID
46	LAKE	238275-3-52-01

CROSS SECTIONS
SR 46

SHEET NO.
 124

NOTICE: THE OFFICIAL RECORD OF THIS SHEET IS THE ELECTRONIC FILE SIGNED AND SEALED UNDER RULE 61G15-23.003, F.A.C.



Regular		Exc.		Embankment	
A	V	A	V	A	V
578			17		
	1013		36		
		515	21		
		869	20		

SCALE
 1" = 20' Horizontal
 1" = 10' Vertical

REVISIONS			
DATE	DESCRIPTION	DATE	DESCRIPTION

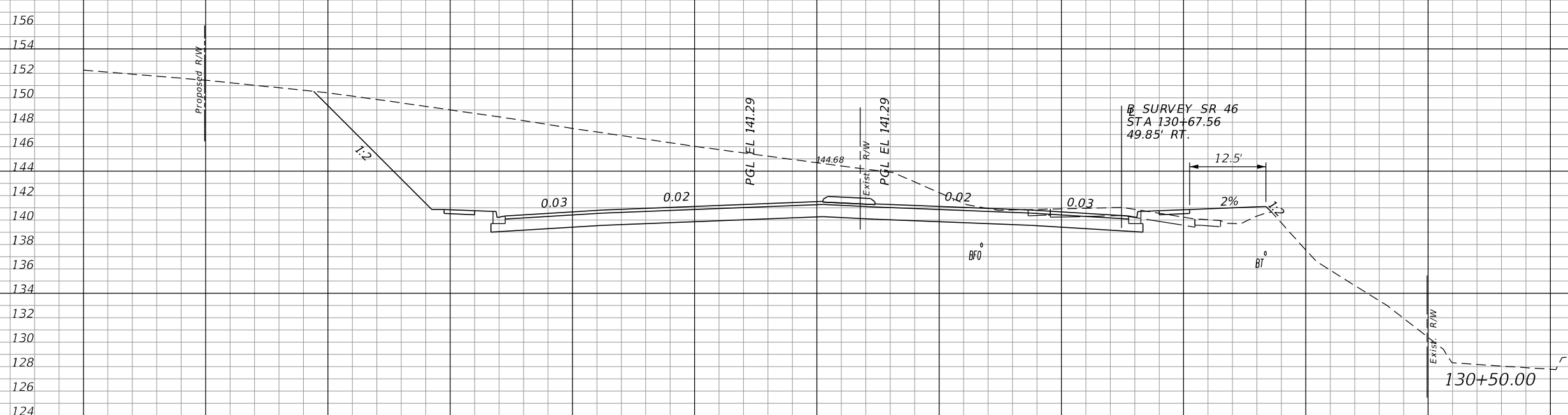
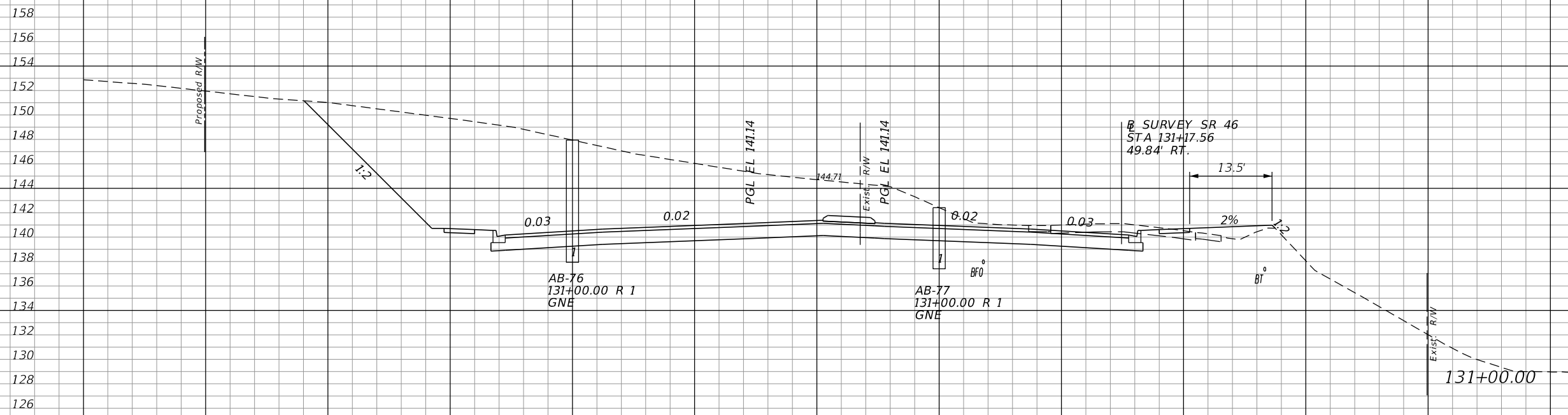
LOCHRANE ENGINEERING, INC.
 201 SOUTH BUMBY AVENUE
 ORLANDO, FLORIDA 32803
 (407) 896-3317
 FOREST W. ADKINS, P.E.
 P.E. NUMBER 56003
 CERTIFICATE OF AUTHORIZATION NO. 2856

STATE OF FLORIDA DEPARTMENT OF TRANSPORTATION		
ROAD NO.	COUNTY	FINANCIAL PROJECT ID
46	LAKE	238275-3-52-01

CROSS SECTIONS
SR 46

SHEET NO.
 125

NOTICE: THE OFFICIAL RECORD OF THIS SHEET IS THE ELECTRONIC FILE SIGNED AND SEALED UNDER RULE 61G15-23.003, F.A.C.



Regular		Exc.		Embankment	
A	V	A	V	A	V
713			8		
	1265			20	
653			13		
		1141			28

SCALE
 1" = 20' Horizontal
 1" = 10' Vertical

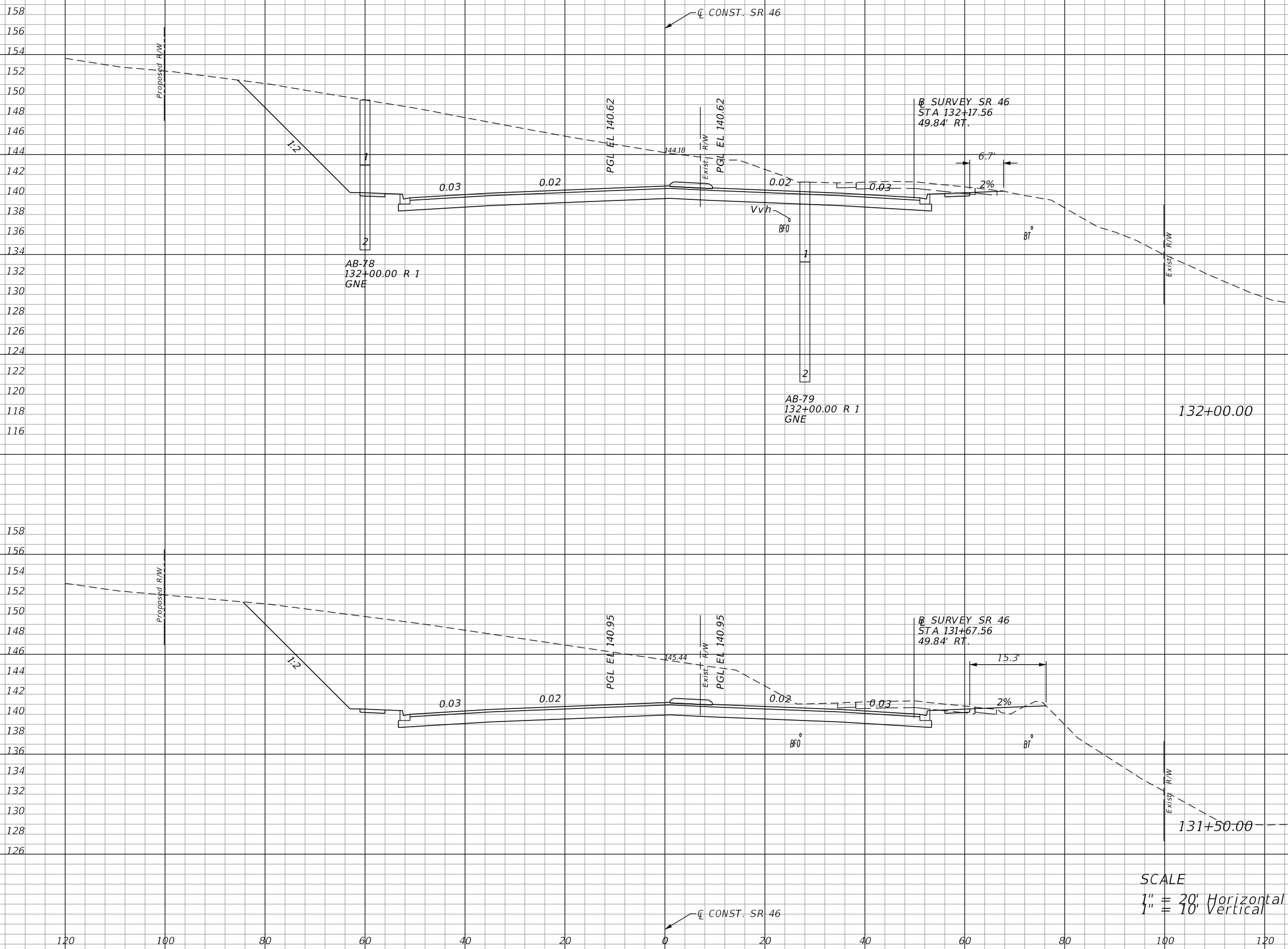
REVISIONS			
DATE	DESCRIPTION	DATE	DESCRIPTION

LOCHRANE ENGINEERING, INC.
 201 SOUTH BUMBAY AVENUE
 ORLANDO, FLORIDA 32803
 (407) 896-3317
 FOREST W. ADKINS, P.E.
 P.E. NUMBER 56003
 CERTIFICATE OF AUTHORIZATION NO. 2856

STATE OF FLORIDA DEPARTMENT OF TRANSPORTATION		
ROAD NO.	COUNTY	FINANCIAL PROJECT ID
46	LAKE	238275-3-52-01

CROSS SECTIONS SR 46		SHEET NO.
		126

NOTICE: THE OFFICIAL RECORD OF THIS SHEET IS THE ELECTRONIC FILE SIGNED AND SEALED UNDER RULE 61G15-23.003, F.A.C.



Regular		Exc.		Embankment	
A	V	A	V	A	V
773		0			
	1455		2		
		798		2	
		1399			10

SCALE
 1" = 20' Horizontal
 1" = 10' Vertical

REVISIONS			
DATE	DESCRIPTION	DATE	DESCRIPTION

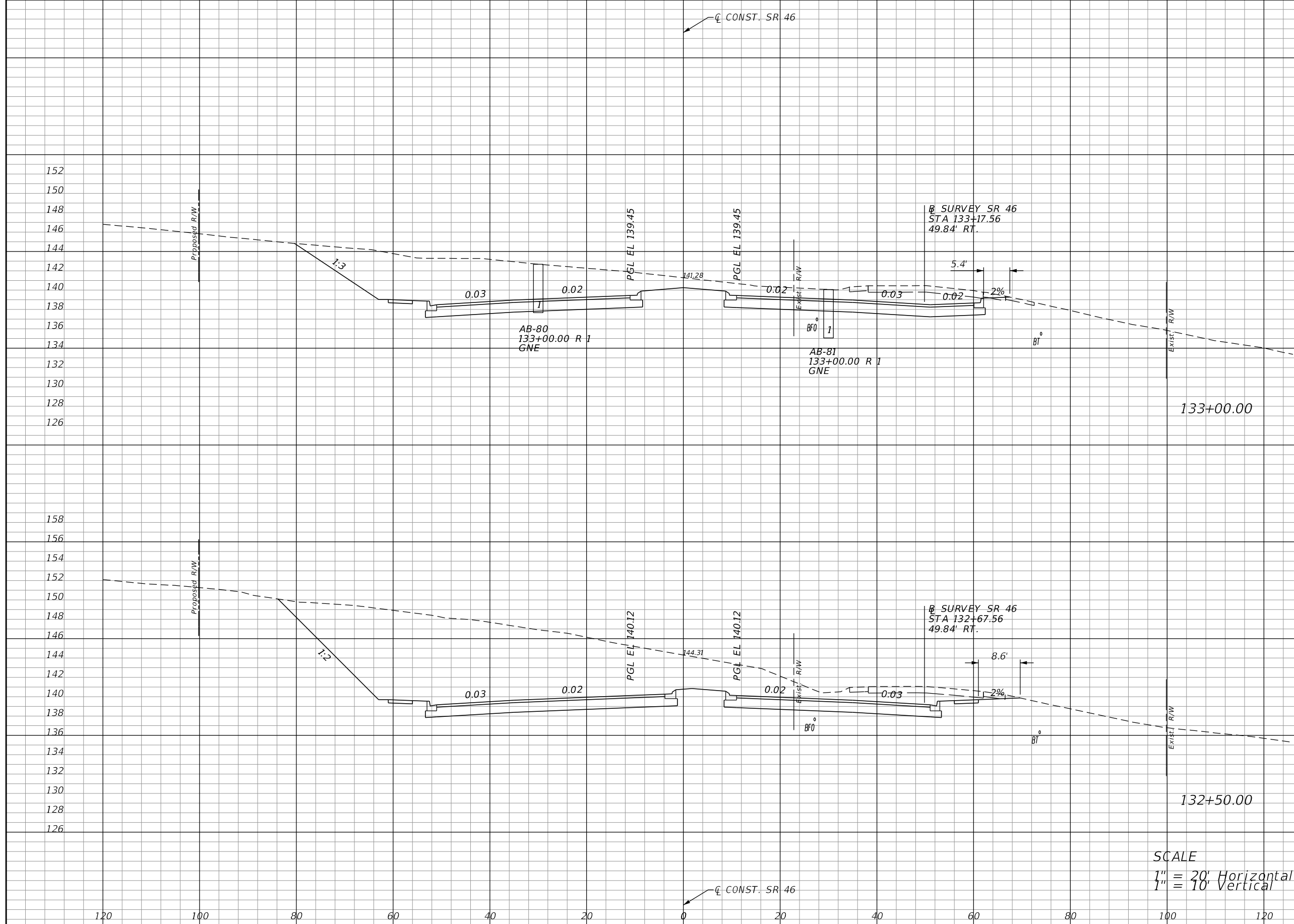
LOCHRANE ENGINEERING, INC.
 201 SOUTH BUMBY AVENUE
 ORLANDO, FLORIDA 32803
 (407) 896-3317
 FOREST W. ADKINS, P.E.
 P.E. NUMBER 56003
 CERTIFICATE OF AUTHORIZATION NO. 2856

STATE OF FLORIDA DEPARTMENT OF TRANSPORTATION		
ROAD NO.	COUNTY	FINANCIAL PROJECT ID
46	LAKE	238275-3-52-01

CROSS SECTIONS
SR 46

SHEET NO.
 127

NOTICE: THE OFFICIAL RECORD OF THIS SHEET IS THE ELECTRONIC FILE SIGNED AND SEALED UNDER RULE 61G15-23.003, F.A.C.



Regular		Exc.		Embankment	
A	V	A	V	A	V
473				0	
	1173				0
794				0	
					0
		1451			0

SCALE
 1" = 20' Horizontal
 1" = 10' Vertical

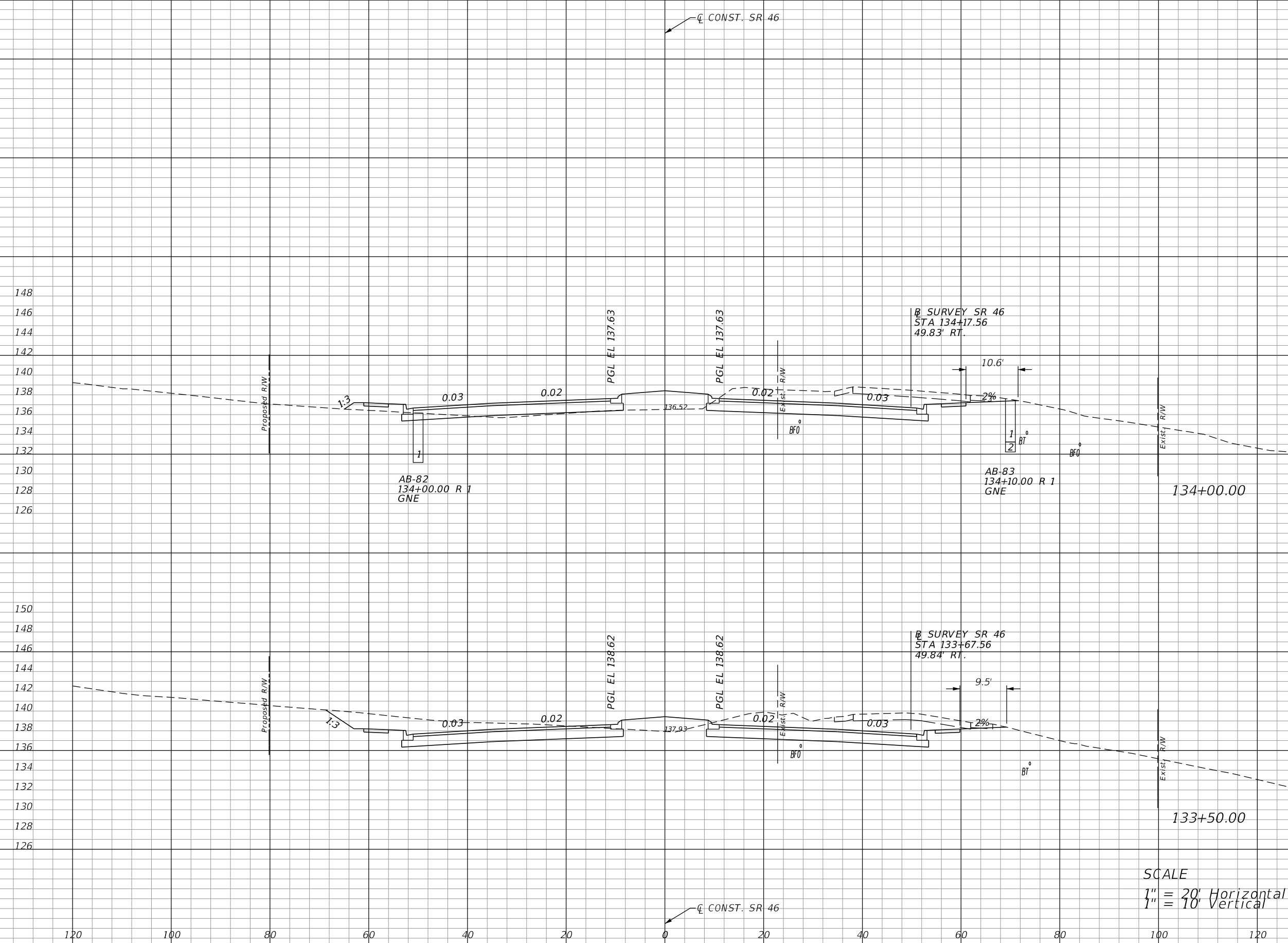
REVISIONS			
DATE	DESCRIPTION	DATE	DESCRIPTION

LOCHRANE ENGINEERING, INC.
 201 SOUTH BUMBY AVENUE
 ORLANDO, FLORIDA 32803
 (407) 896-3317
 FOREST W. ADKINS, P.E.
 P.E. NUMBER 56003
 CERTIFICATE OF AUTHORIZATION NO. 2856

STATE OF FLORIDA DEPARTMENT OF TRANSPORTATION		
ROAD NO.	COUNTY	FINANCIAL PROJECT ID
46	LAKE	238275-3-52-01

CROSS SECTIONS SR 46		SHEET NO.
		128

NOTICE: THE OFFICIAL RECORD OF THIS SHEET IS THE ELECTRONIC FILE SIGNED AND SEALED UNDER RULE 61G15-23.003, F.A.C.



Regular		Exc.		Embankment	
A	V	A	V	A	V
134			39		
	337				55
230			20		
	650				18

SCALE
 1" = 20' Horizontal
 1" = 10' Vertical

REVISIONS			
DATE	DESCRIPTION	DATE	DESCRIPTION

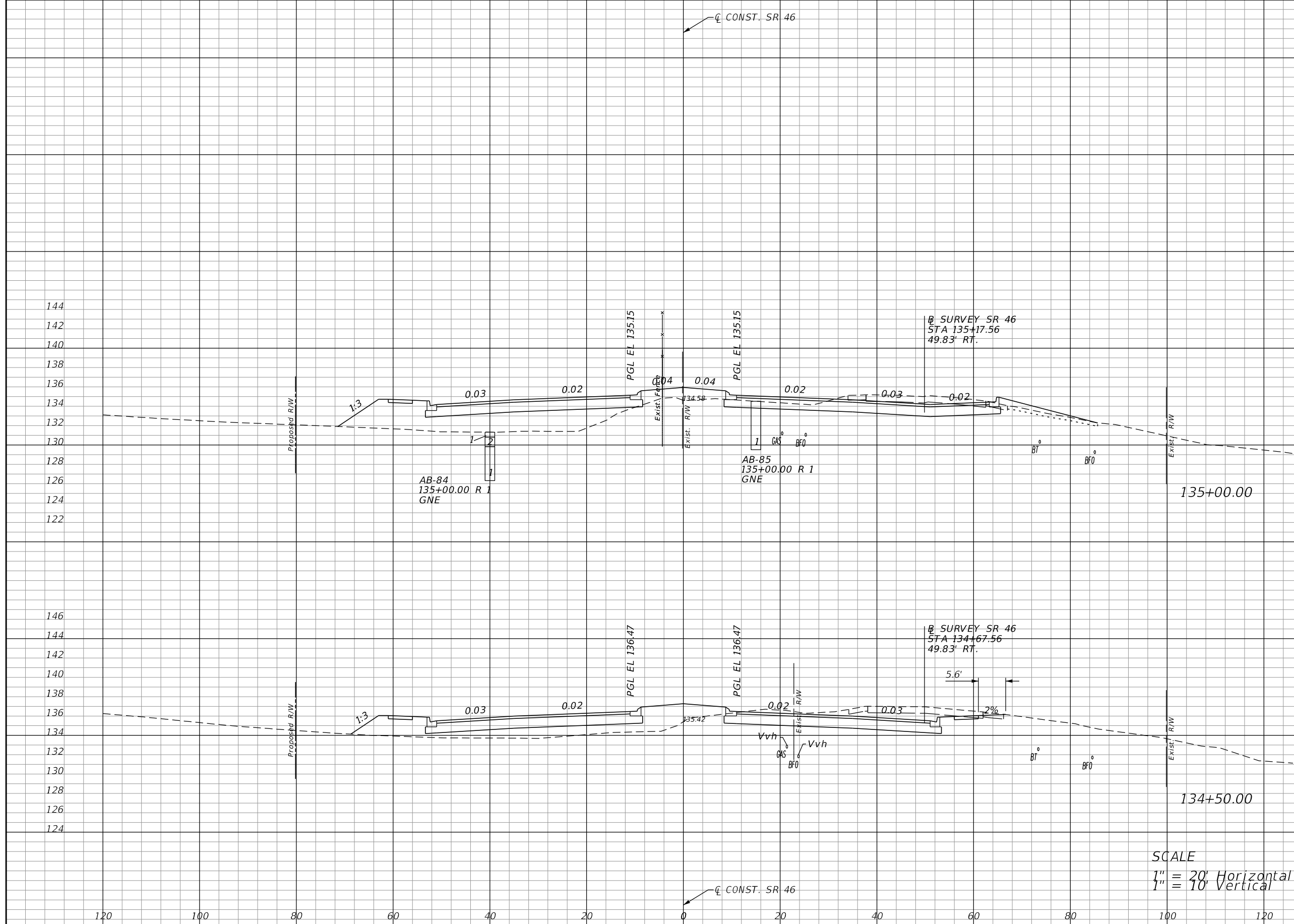
LOCHRANE ENGINEERING, INC.
 201 SOUTH BUMBY AVENUE
 ORLANDO, FLORIDA 32803
 (407) 896-3317
 FOREST W. ADKINS, P.E.
 P.E. NUMBER 56003
 CERTIFICATE OF AUTHORIZATION NO. 2856

STATE OF FLORIDA DEPARTMENT OF TRANSPORTATION		
ROAD NO.	COUNTY	FINANCIAL PROJECT ID
46	LAKE	238275-3-52-01

CROSS SECTIONS
SR 46

SHEET NO.
 129

NOTICE: THE OFFICIAL RECORD OF THIS SHEET IS THE ELECTRONIC FILE SIGNED AND SEALED UNDER RULE 61G15-23.003, F.A.C.



Regular		Exc.		Embankment	
A	V	A	V	A	V
78				141	
	157				219
92				95	
		210			125

SCALE
 1" = 20' Horizontal
 1" = 10' Vertical

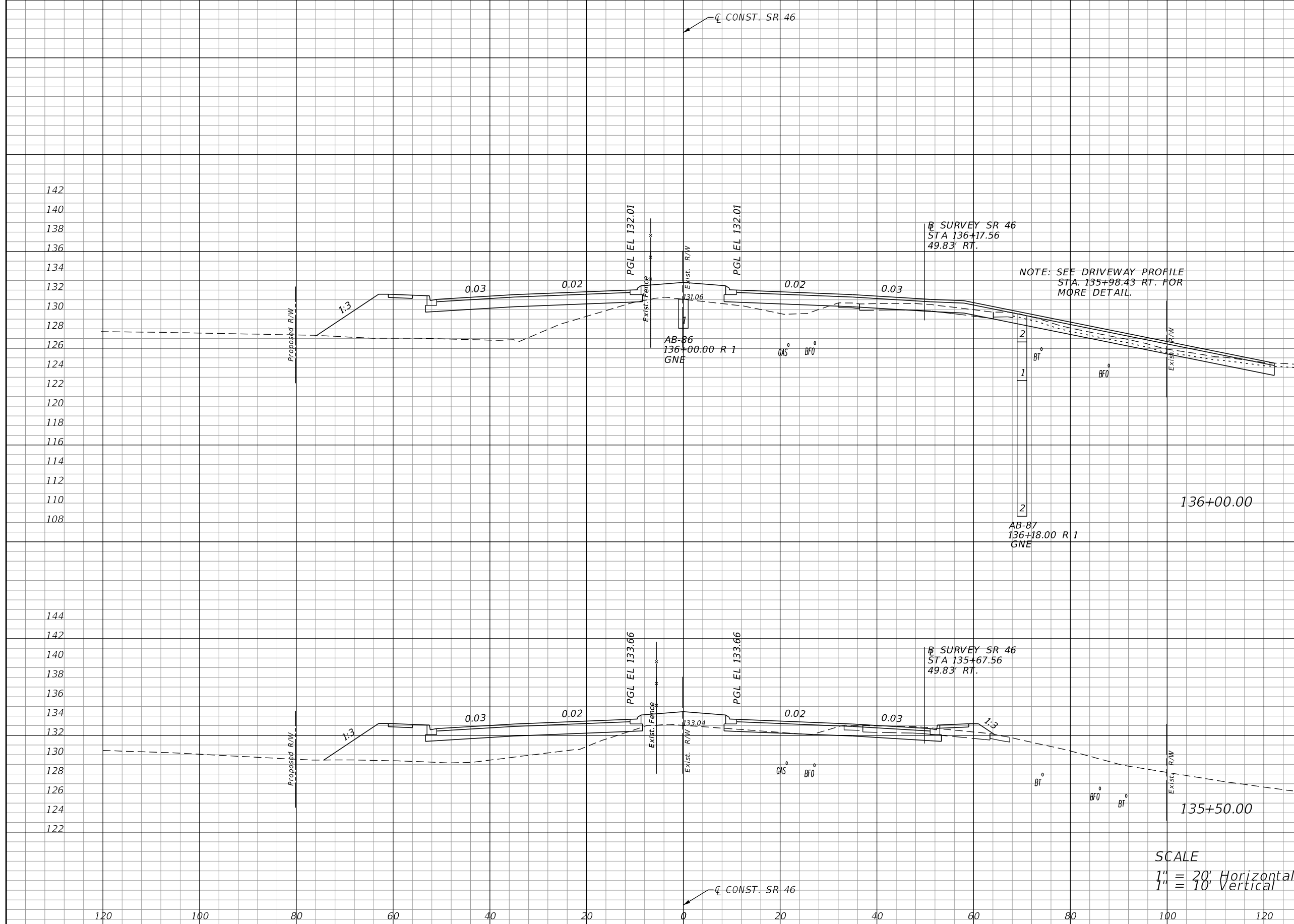
REVISIONS			
DATE	DESCRIPTION	DATE	DESCRIPTION

LOCHRANE ENGINEERING, INC.
 201 SOUTH BUMBY AVENUE
 ORLANDO, FLORIDA 32803
 (407) 896-3317
 FOREST W. ADKINS, P.E.
 P.E. NUMBER 56003
 CERTIFICATE OF AUTHORIZATION NO. 2856

STATE OF FLORIDA DEPARTMENT OF TRANSPORTATION		
ROAD NO.	COUNTY	FINANCIAL PROJECT ID
46	LAKE	238275-3-52-01

CROSS SECTIONS SR 46		SHEET NO.
		130

NOTICE: THE OFFICIAL RECORD OF THIS SHEET IS THE ELECTRONIC FILE SIGNED AND SEALED UNDER RULE 61G15-23.003, F.A.C.



Regular		Exc.		Embankment	
A	V	A	V	A	V
63				213	
		87			346
				161	
				101	280

SCALE
 1" = 20' Horizontal
 1" = 10' Vertical

REVISIONS			
DATE	DESCRIPTION	DATE	DESCRIPTION

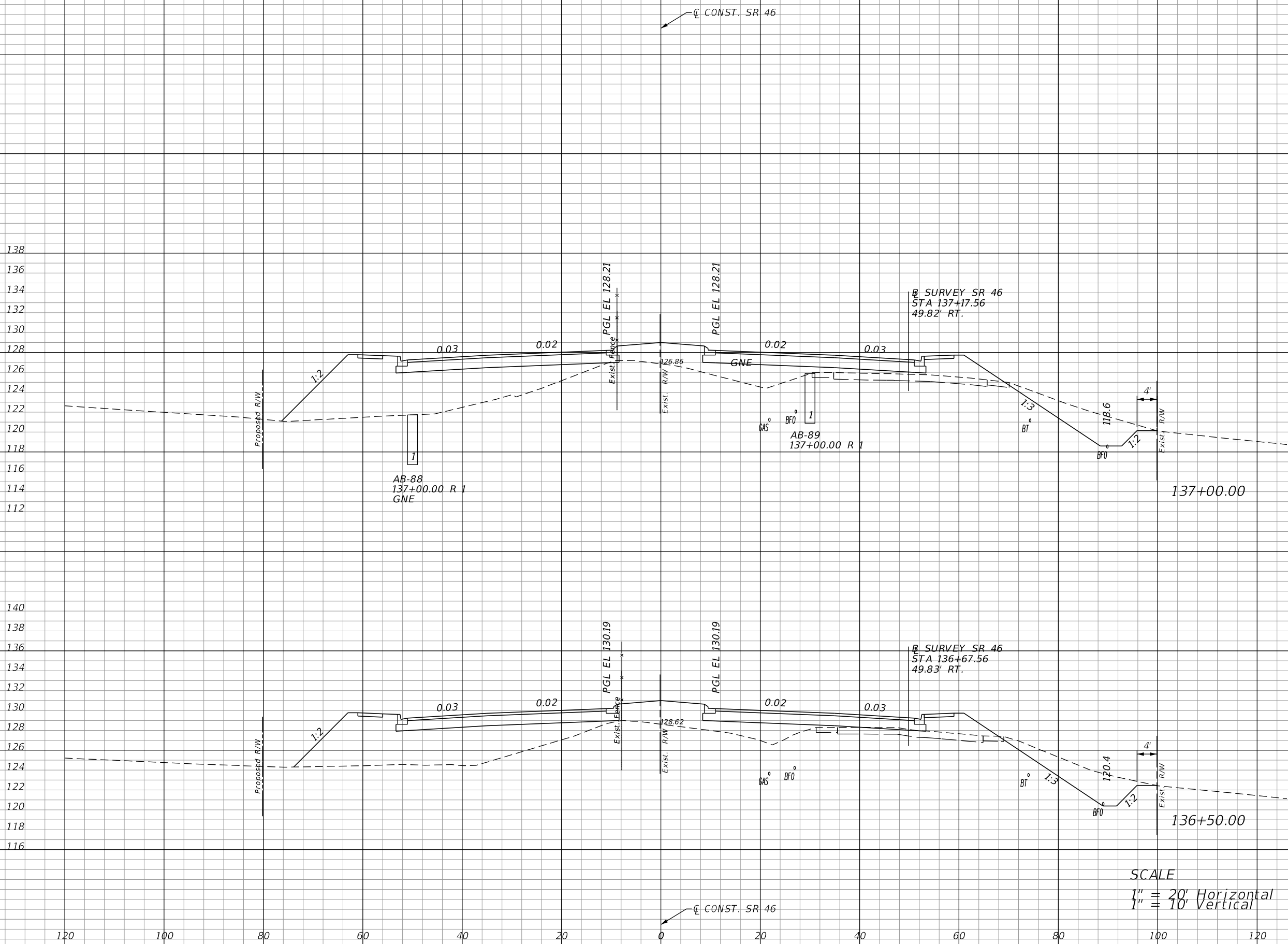
LOCHRANE ENGINEERING, INC.
 201 SOUTH BUMBAY AVENUE
 ORLANDO, FLORIDA 32803
 (407) 896-3317
 FOREST W. ADKINS, P.E.
 P.E. NUMBER 56003
 CERTIFICATE OF AUTHORIZATION NO. 2856

STATE OF FLORIDA DEPARTMENT OF TRANSPORTATION		
ROAD NO.	COUNTY	FINANCIAL PROJECT ID
46	LAKE	238275-3-52-01

CROSS SECTIONS
SR 46

SHEET NO.
 131

NOTICE: THE OFFICIAL RECORD OF THIS SHEET IS THE ELECTRONIC FILE SIGNED AND SEALED UNDER RULE 61G15-23.003, F.A.C.



Regular		Exc.		Embankment	
A	V	A	V	A	V
0				325	
1			1		564
1				284	
		59			461

SCALE
 1" = 20' Horizontal
 1" = 10' Vertical

REVISIONS			
DATE	DESCRIPTION	DATE	DESCRIPTION

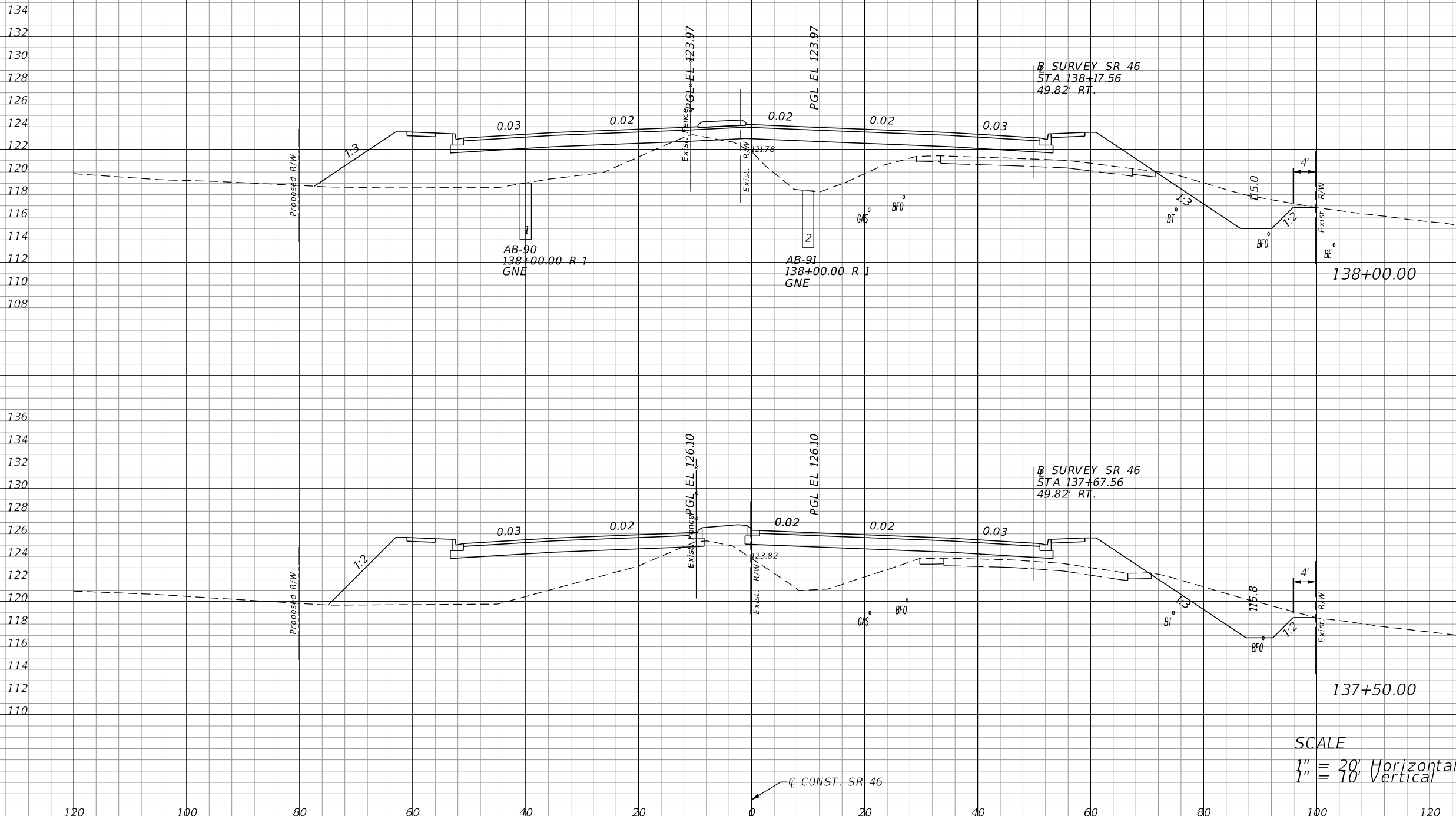
LOCHRANE ENGINEERING, INC.
 201 SOUTH BUMBY AVENUE
 ORLANDO, FLORIDA 32803
 (407) 896-3317
 FOREST W. ADKINS, P.E.
 P.E. NUMBER 56003
 CERTIFICATE OF AUTHORIZATION NO. 2856

STATE OF FLORIDA DEPARTMENT OF TRANSPORTATION		
ROAD NO.	COUNTY	FINANCIAL PROJECT ID
46	LAKE	238275-3-52-01

CROSS SECTIONS
SR 46

SHEET NO.
 132

NOTICE: THE OFFICIAL RECORD OF THIS SHEET IS THE ELECTRONIC FILE SIGNED AND SEALED UNDER RULE 61G15-23.003, F.A.C.



Regular		Exc.		Embankment	
A	V	A	V	A	V
3				316	
	3				604
1				336	
	1				612

SCALE
 1" = 20' Horizontal
 1" = 10' Vertical

REVISIONS			
DATE	DESCRIPTION	DATE	DESCRIPTION

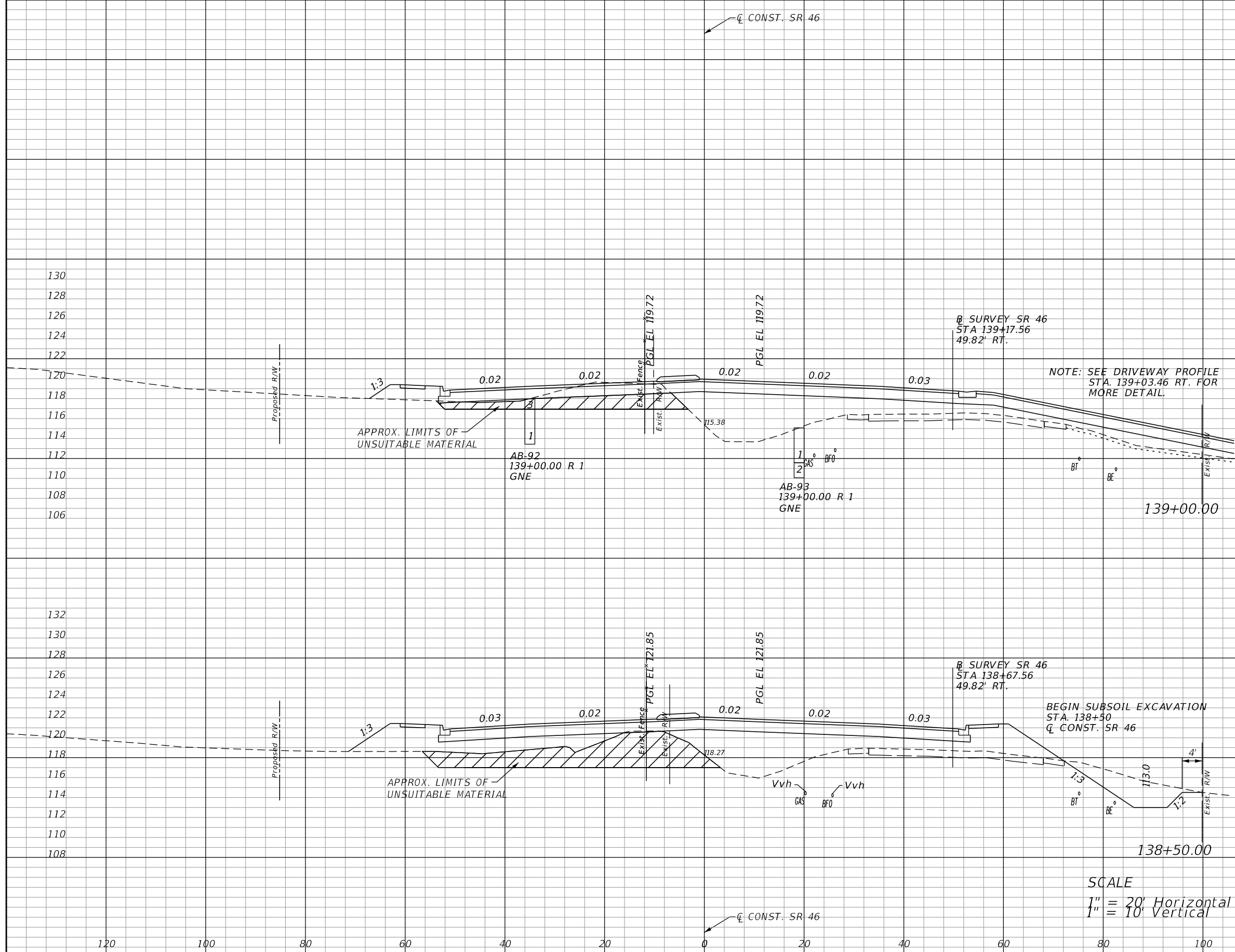
LOCHRANE ENGINEERING, INC.
 201 SOUTH BUMBY AVENUE
 ORLANDO, FLORIDA 32803
 (407) 896-3317
 FOREST W. ADKINS, P.E.
 P.E. NUMBER 56003
 CERTIFICATE OF AUTHORIZATION NO. 2856

STATE OF FLORIDA DEPARTMENT OF TRANSPORTATION		
ROAD NO.	COUNTY	FINANCIAL PROJECT ID
46	LAKE	238275-3-52-01

CROSS SECTIONS
SR 46

SHEET NO.
 133

NOTICE: THE OFFICIAL RECORD OF THIS SHEET IS THE ELECTRONIC FILE SIGNED AND SEALED UNDER RULE 61G15-23.003, F.A.C.



Subsoil Exc.		Regular Exc.		Embankment	
A	V	A	V	A	V
55		40		213	
	167		38		428
125		1		249	
			3		523

SCALE
 1" = 20' Horizontal
 1" = 10' Vertical

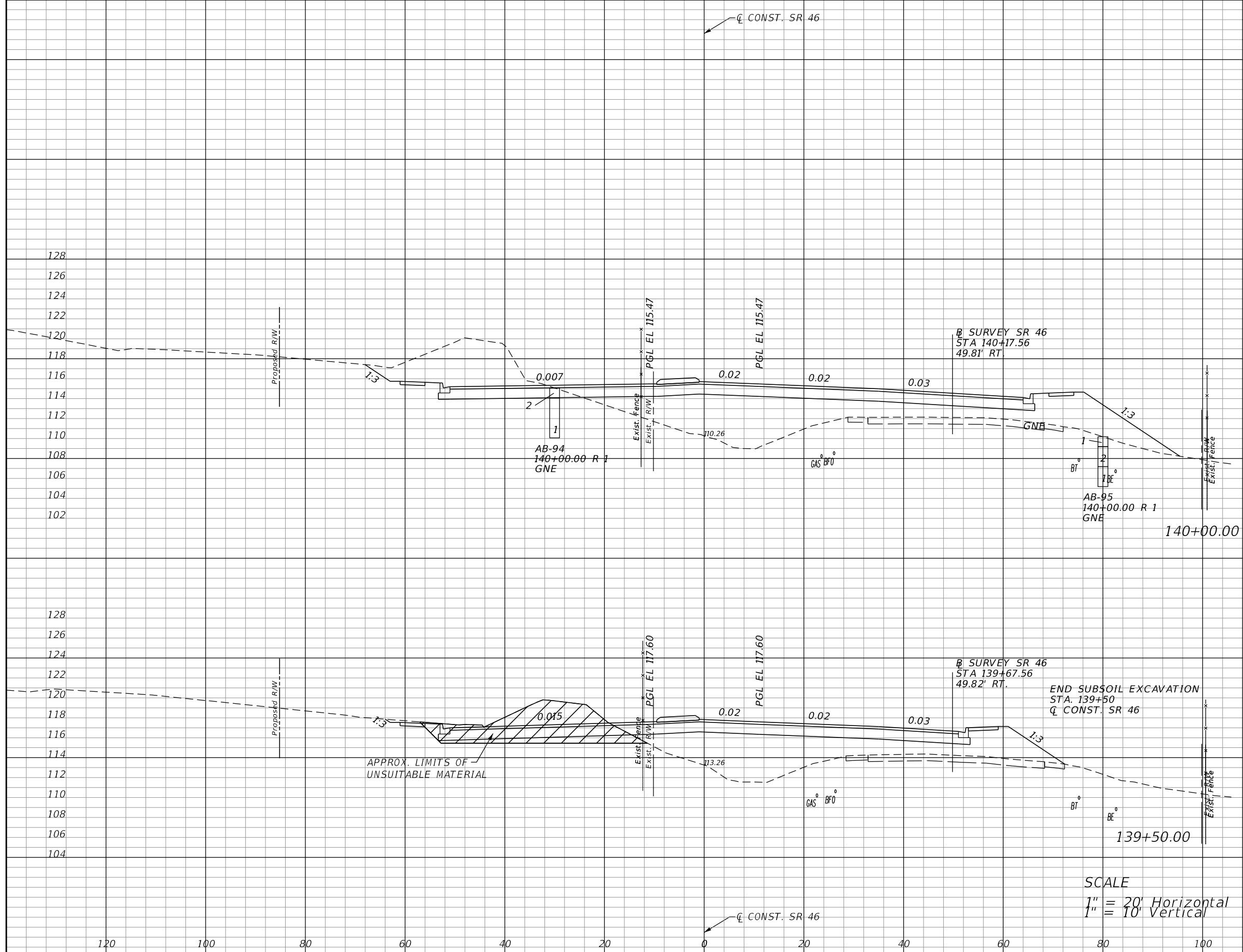
REVISIONS			
DATE	DESCRIPTION	DATE	DESCRIPTION

LOCHRANE ENGINEERING, INC.
 201 SOUTH BUMBY AVENUE
 ORLANDO, FLORIDA 32803
 (407) 896-3317
 FOREST W. ADKINS, P.E.
 P.E. NUMBER 56003
 CERTIFICATE OF AUTHORIZATION NO. 2856

STATE OF FLORIDA DEPARTMENT OF TRANSPORTATION		
ROAD NO.	COUNTY	FINANCIAL PROJECT ID
46	LAKE	238275-3-52-01

CROSS SECTIONS SR 46		SHEET NO.
		134

NOTICE: THE OFFICIAL RECORD OF THIS SHEET IS THE ELECTRONIC FILE SIGNED AND SEALED UNDER RULE 61G15-23.003, F.A.C.



Subsoil Exc.		Regular Exc.		Embankment	
A	V	A	V	A	V
			130	285	
			203		456
113		90		208	
	156		120		390

REVISIONS			
DATE	DESCRIPTION	DATE	DESCRIPTION

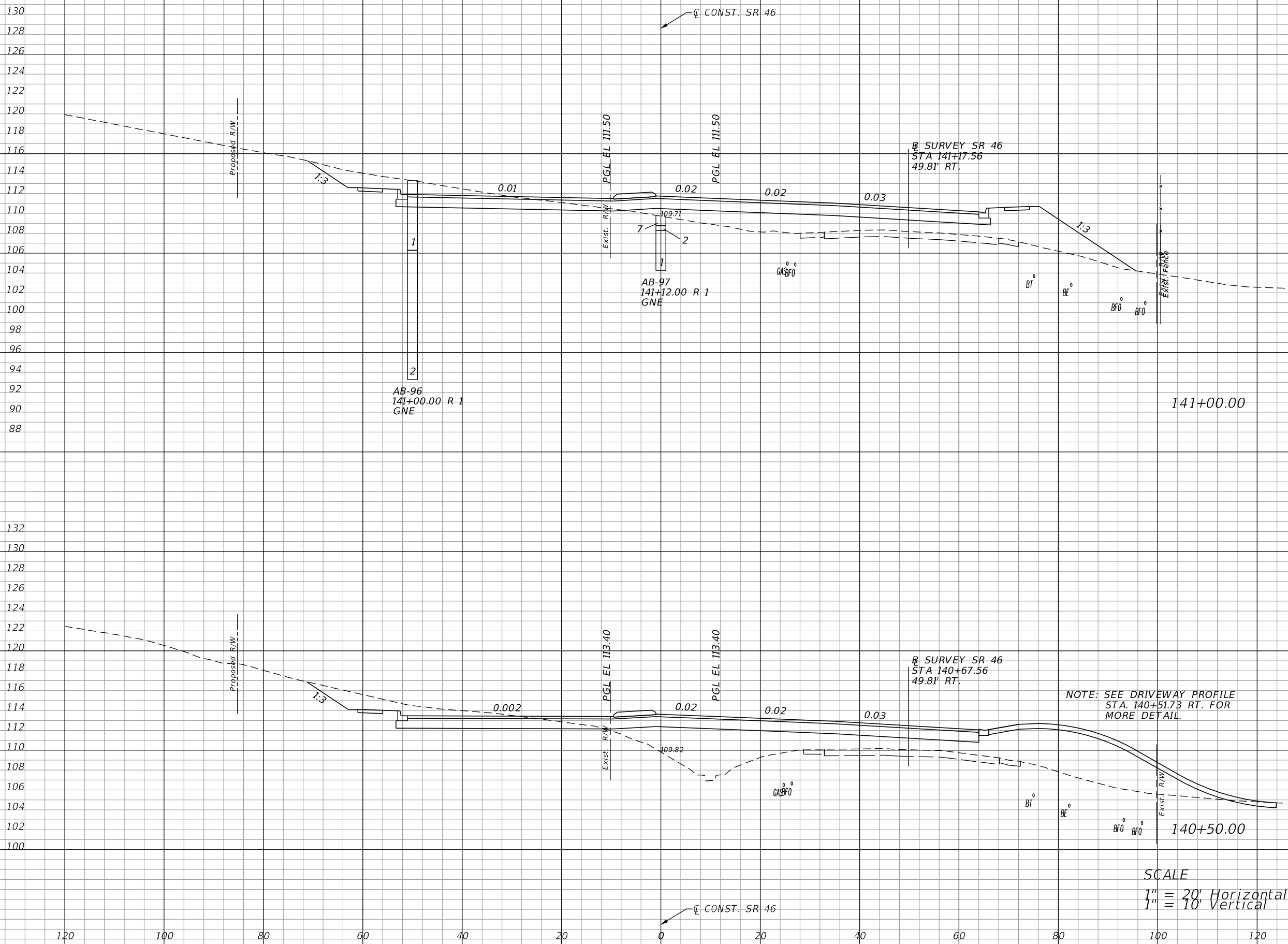
LOCHRANE ENGINEERING, INC.
 201 SOUTH BUMBY AVENUE
 ORLANDO, FLORIDA 32803
 (407) 896-3317
 FOREST W. ADKINS, P.E.
 P.E. NUMBER 56003
 CERTIFICATE OF AUTHORIZATION NO. 2856

STATE OF FLORIDA DEPARTMENT OF TRANSPORTATION		
ROAD NO.	COUNTY	FINANCIAL PROJECT ID
46	LAKE	238275-3-52-01

CROSS SECTIONS
SR 46

SHEET NO.
135

NOTICE: THE OFFICIAL RECORD OF THIS SHEET IS THE ELECTRONIC FILE SIGNED AND SEALED UNDER RULE 61G15-23.003, F.A.C.



Regular		Exc.		Embankment	
A	V	A	V	A	V
84				168	
	151				156
		79	0		
		193			264

SCALE
 1" = 20' Horizontal
 1" = 10' Vertical

REVISIONS			
DATE	DESCRIPTION	DATE	DESCRIPTION

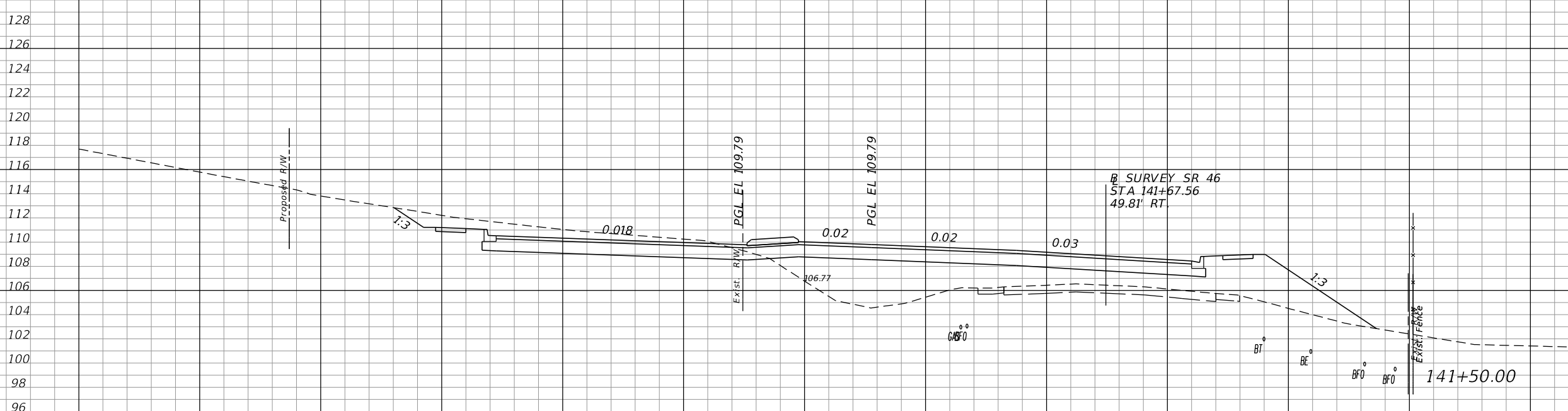
LOCHRANE ENGINEERING, INC.
 201 SOUTH BUMBY AVENUE
 ORLANDO, FLORIDA 32803
 (407) 896-3317
 FOREST W. ADKINS, P.E.
 P.E. NUMBER 56003
 CERTIFICATE OF AUTHORIZATION NO. 2856

STATE OF FLORIDA DEPARTMENT OF TRANSPORTATION		
ROAD NO.	COUNTY	FINANCIAL PROJECT ID
46	LAKE	238275-3-52-01

CROSS SECTIONS
SR 46

SHEET NO.
 136

NOTICE: THE OFFICIAL RECORD OF THIS SHEET IS THE ELECTRONIC FILE SIGNED AND SEALED UNDER RULE 61G15-23.003, F.A.C.



SCALE
 1" = 20' Horizontal
 1" = 10' Vertical

Regular		Exc.		Embankment	
A	V	A	V	A	V
117				192	
	193				378
92				216	
	163				355

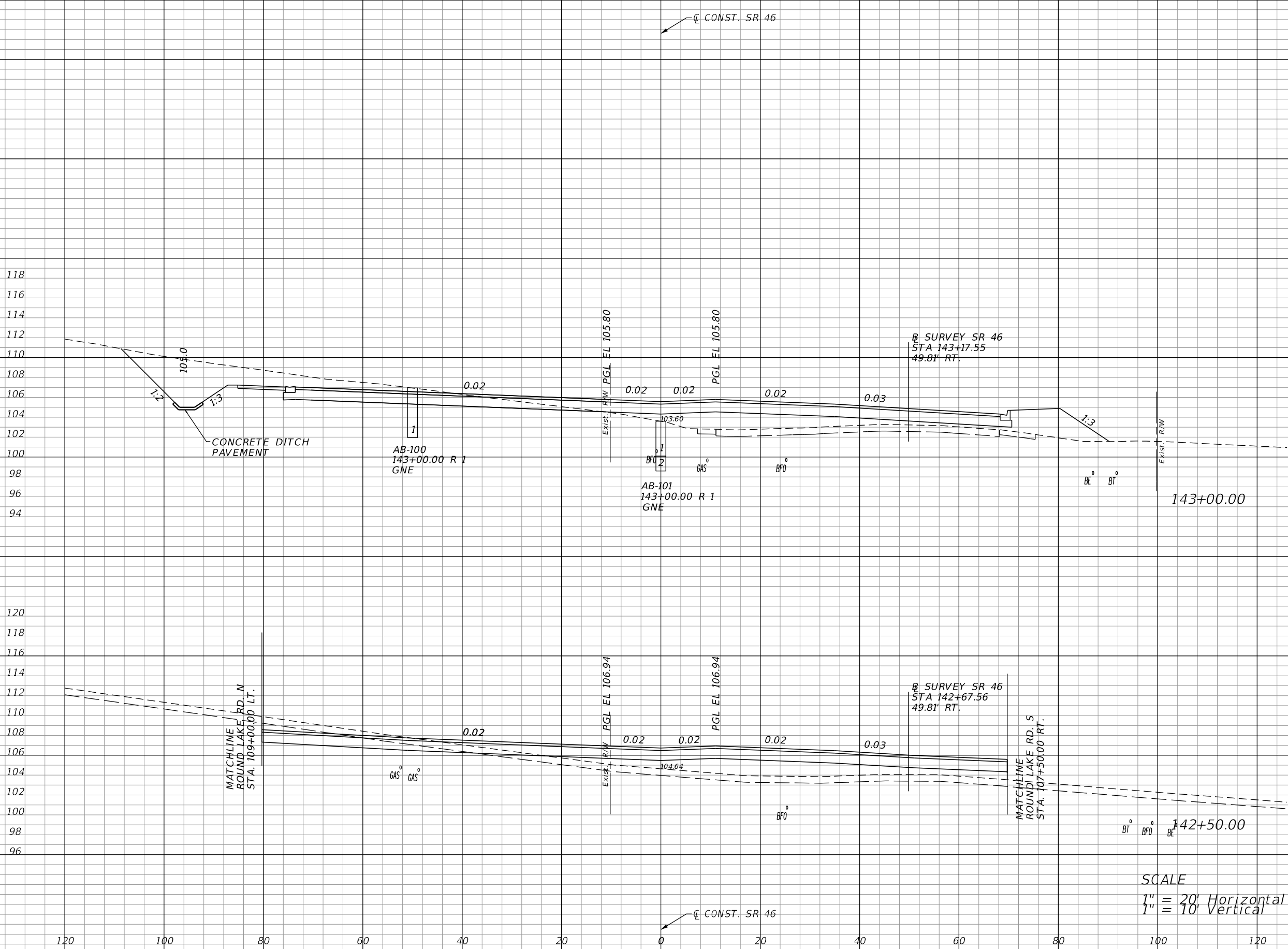
REVISIONS			
DATE	DESCRIPTION	DATE	DESCRIPTION

LOCHRANE ENGINEERING, INC.
 201 SOUTH BUMBY AVENUE
 ORLANDO, FLORIDA 32803
 (407) 896-3317
 FOREST W. ADKINS, P.E.
 P.E. NUMBER 56003
 CERTIFICATE OF AUTHORIZATION NO. 2856

STATE OF FLORIDA DEPARTMENT OF TRANSPORTATION		
ROAD NO.	COUNTY	FINANCIAL PROJECT ID
46	LAKE	238275-3-52-01

CROSS SECTIONS SR 46		SHEET NO.
		137

NOTICE: THE OFFICIAL RECORD OF THIS SHEET IS THE ELECTRONIC FILE SIGNED AND SEALED UNDER RULE 61G15-23.003, F.A.C.



Regular		Exc.		Embankment	
A	V	A	V	A	V
139				111	
	197				184
		74		88	
					260
	177				

SCALE
 1" = 20' Horizontal
 1" = 10' Vertical

REVISIONS			
DATE	DESCRIPTION	DATE	DESCRIPTION

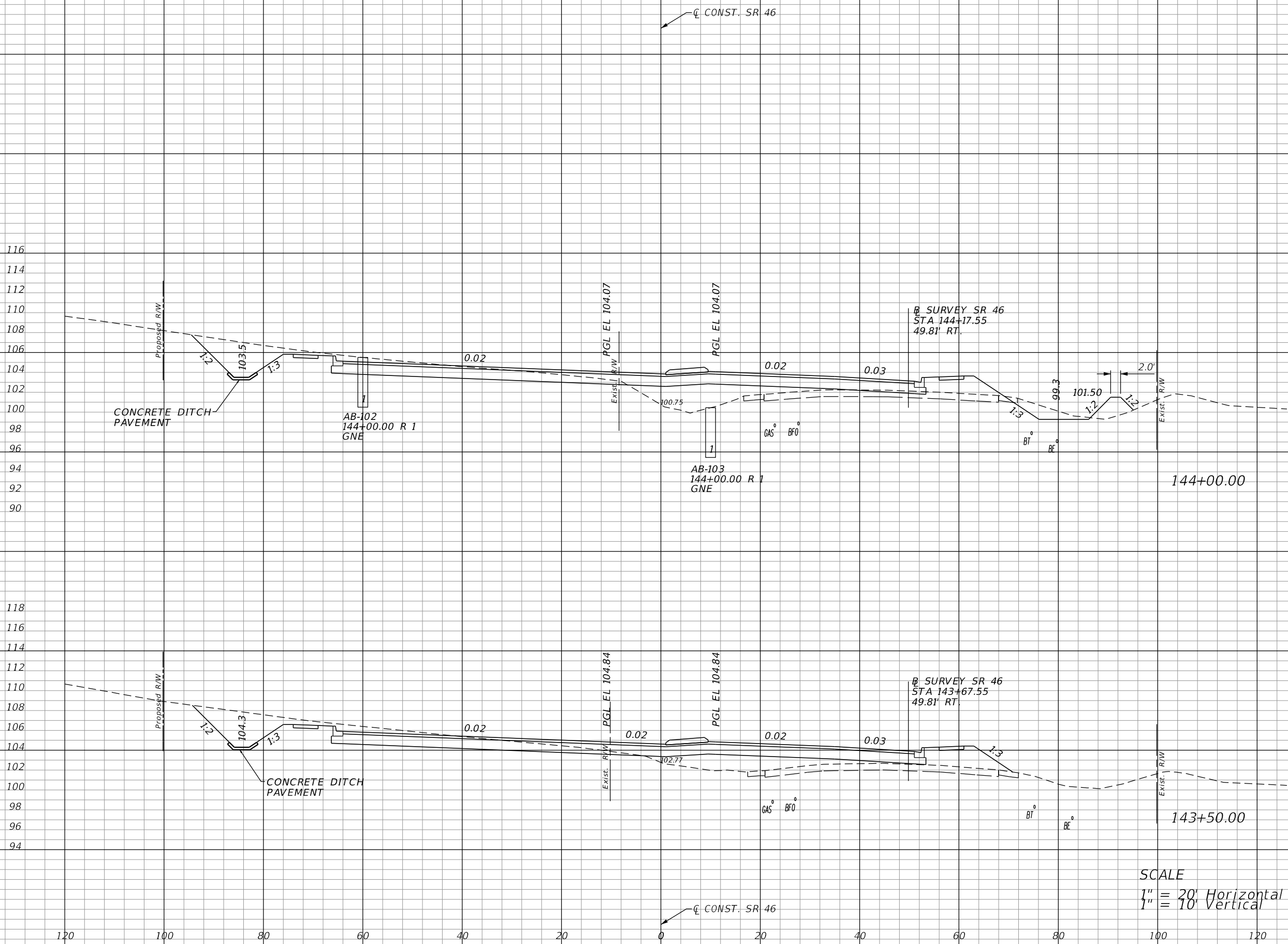
LOCHRANE ENGINEERING, INC.
 201 SOUTH BUMBY AVENUE
 ORLANDO, FLORIDA 32803
 (407) 896-3317
 FOREST W. ADKINS, P.E.
 P.E. NUMBER 56003
 CERTIFICATE OF AUTHORIZATION NO. 2856

STATE OF FLORIDA DEPARTMENT OF TRANSPORTATION		
ROAD NO.	COUNTY	FINANCIAL PROJECT ID
46	LAKE	238275-3-52-01

CROSS SECTIONS
SR 46

SHEET NO.
 138

NOTICE: THE OFFICIAL RECORD OF THIS SHEET IS THE ELECTRONIC FILE SIGNED AND SEALED UNDER RULE 61G15-23.003, F.A.C.



Station	Regular		Exc.		Embankment	
	A	V	A	V	A	V
144+00.00	118		84			
143+50.00	102		72			
TOTAL	223		204		144	169

SCALE
 1" = 20' Horizontal
 1" = 10' Vertical

REVISIONS			
DATE	DESCRIPTION	DATE	DESCRIPTION

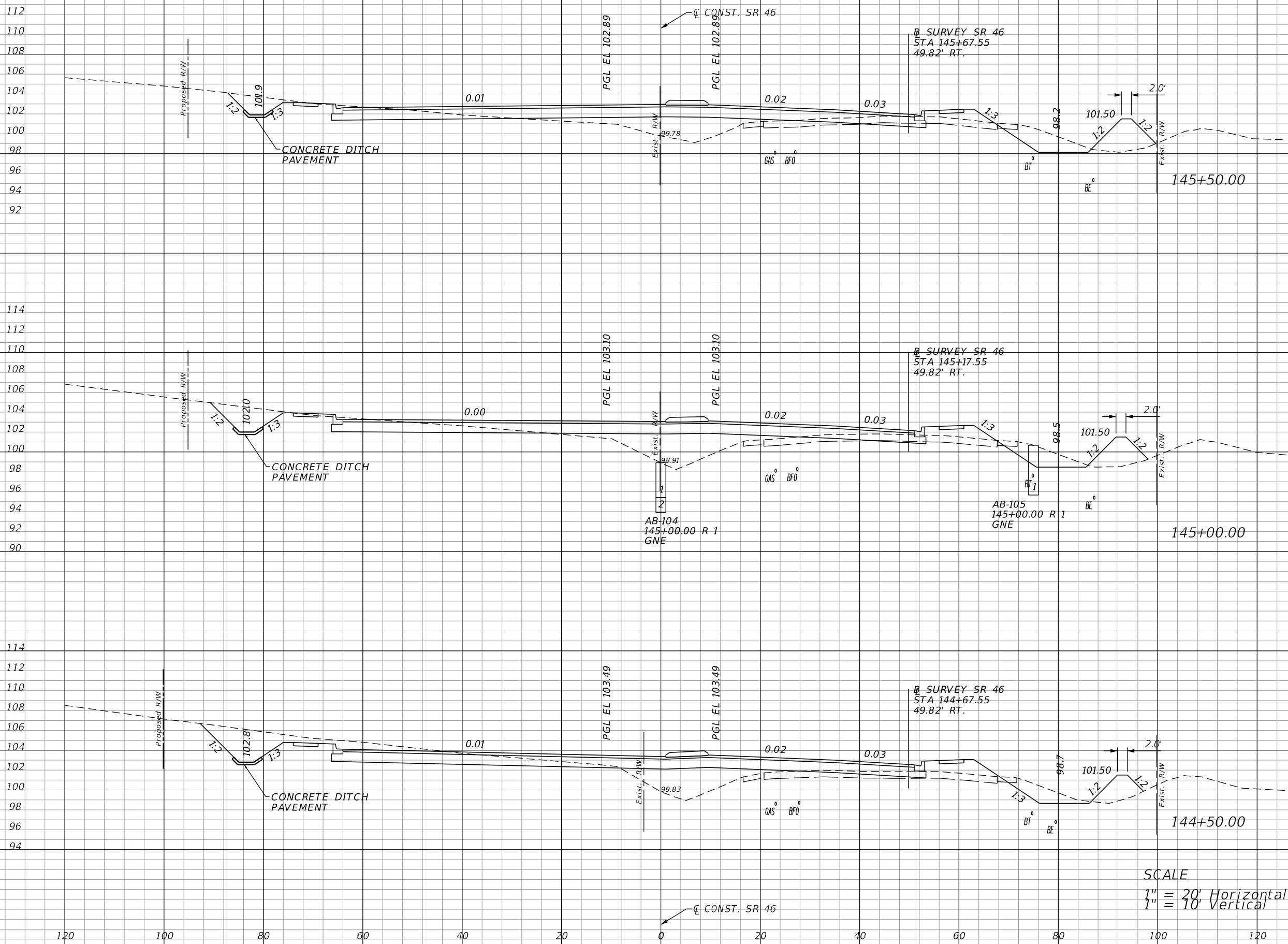
LOCHRANE ENGINEERING, INC.
 201 SOUTH BUMBY AVENUE
 ORLANDO, FLORIDA 32803
 (407) 896-3317
 FOREST W. ADKINS, P.E.
 P.E. NUMBER 56003
 CERTIFICATE OF AUTHORIZATION NO. 2856

STATE OF FLORIDA DEPARTMENT OF TRANSPORTATION		
ROAD NO.	COUNTY	FINANCIAL PROJECT ID
46	LAKE	238275-3-52-01

CROSS SECTIONS
SR 46

SHEET NO.
 139

NOTICE: THE OFFICIAL RECORD OF THIS SHEET IS THE ELECTRONIC FILE SIGNED AND SEALED UNDER RULE 61G15-23.003, F.A.C.



Regular		Exc.		Embankment	
A	V	A	V	A	V
86				86	
	165				169
93				97	
	205				166
128				82	
	228				154

REVISIONS			
DATE	DESCRIPTION	DATE	DESCRIPTION

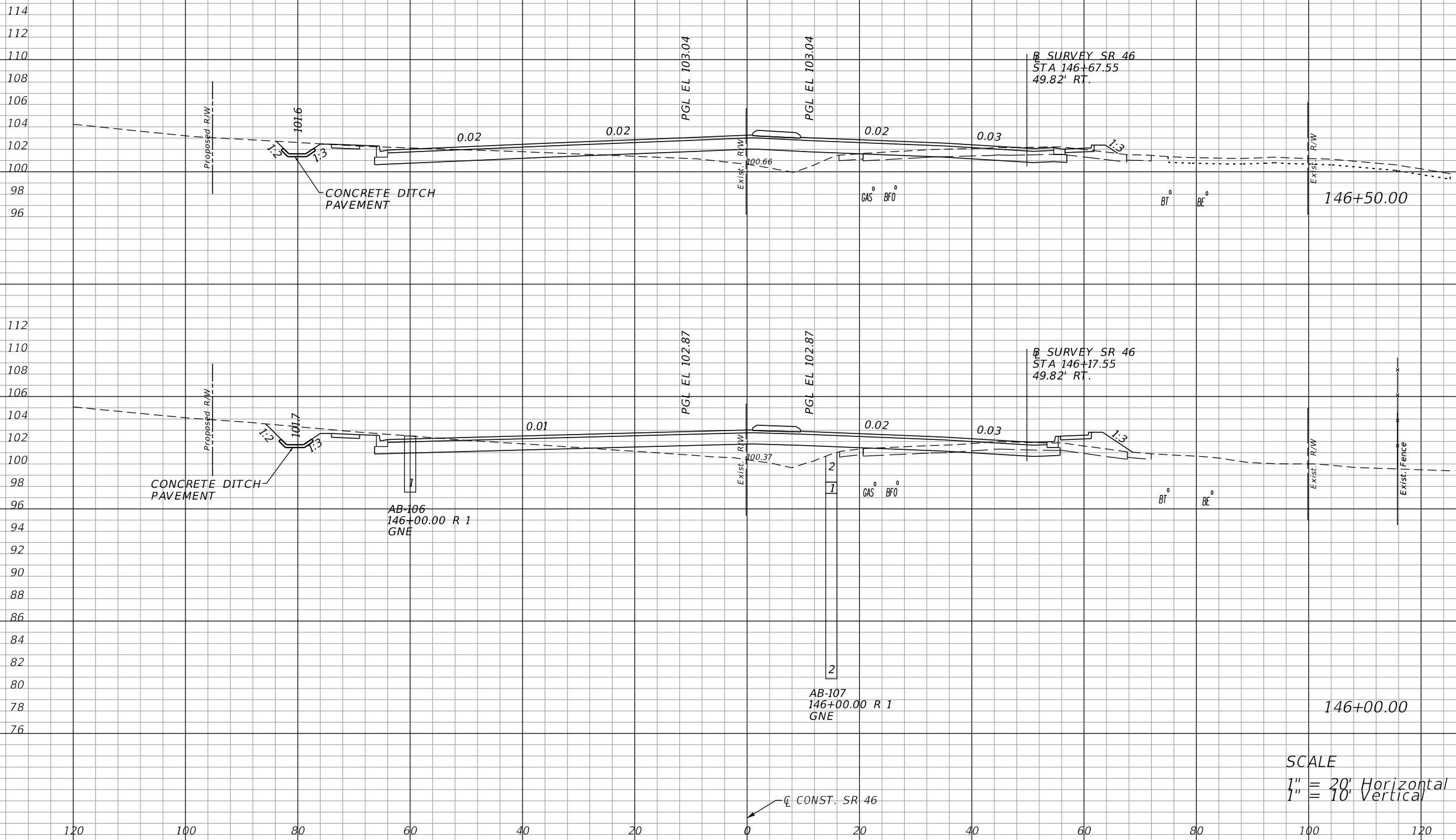
LOCHRANE ENGINEERING, INC.
 201 SOUTH BUMBY AVENUE
 ORLANDO, FLORIDA 32803
 (407) 896-3317
 FOREST W. ADKINS, P.E.
 P.E. NUMBER 56003
 CERTIFICATE OF AUTHORIZATION NO. 2856

STATE OF FLORIDA DEPARTMENT OF TRANSPORTATION		
ROAD NO.	COUNTY	FINANCIAL PROJECT ID
46	LAKE	238275-3-52-01

CROSS SECTIONS
SR 46

SHEET NO.
 140

NOTICE: THE OFFICIAL RECORD OF THIS SHEET IS THE ELECTRONIC FILE SIGNED AND SEALED UNDER RULE 61G15-23.003, F.A.C.



Regular		Exc.		Embankment	
A	V	A	V	A	V
71			39		
	134				85
73			53		
		147			129

SCALE
 1" = 20' Horizontal
 1" = 10' Vertical

REVISIONS			
DATE	DESCRIPTION	DATE	DESCRIPTION

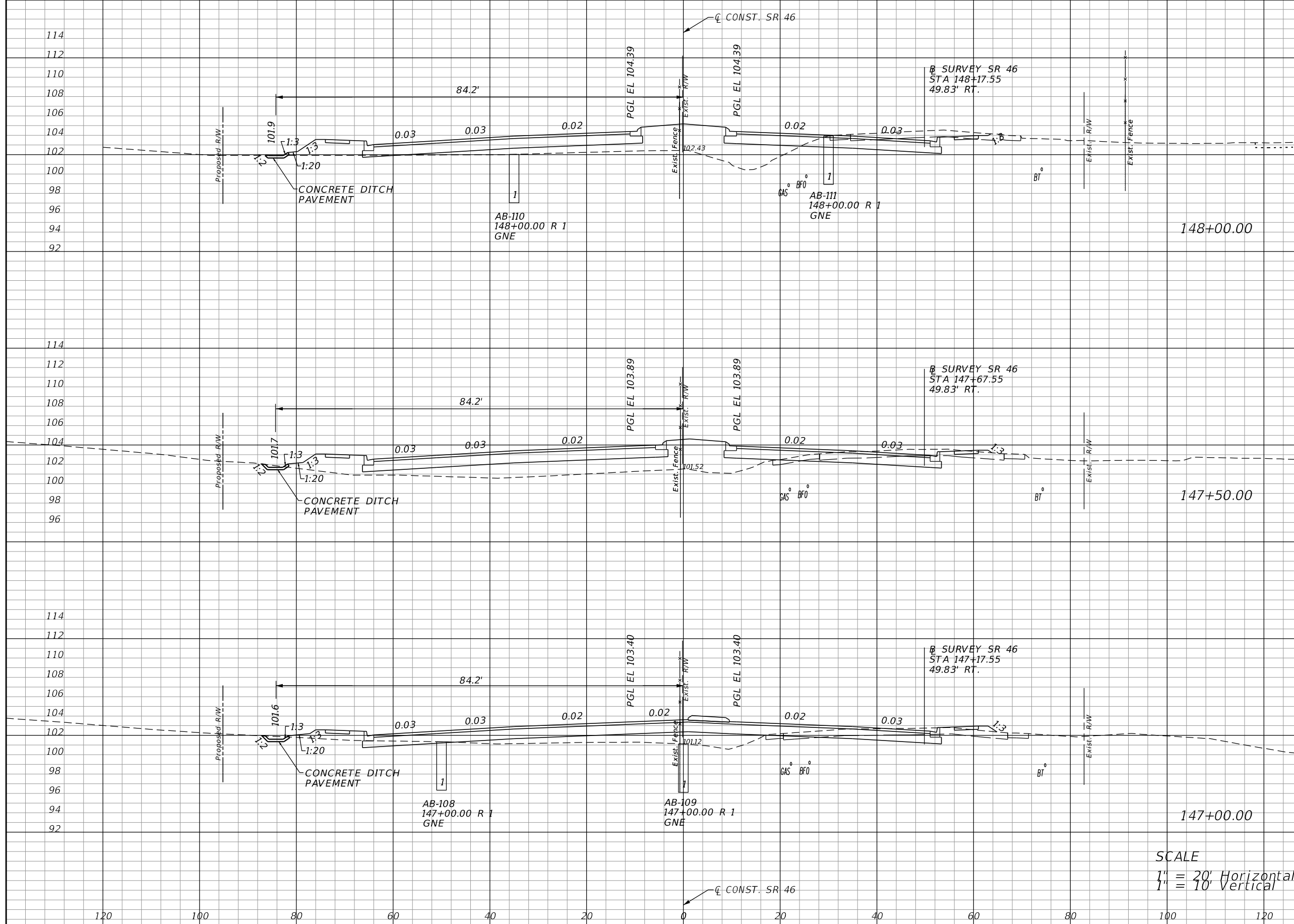
LOCHRANE ENGINEERING, INC.
 201 SOUTH BUMBY AVENUE
 ORLANDO, FLORIDA 32803
 (407) 896-3317
 FOREST W. ADKINS, P.E.
 P.E. NUMBER 56003
 CERTIFICATE OF AUTHORIZATION NO. 2856

STATE OF FLORIDA DEPARTMENT OF TRANSPORTATION		
ROAD NO.	COUNTY	FINANCIAL PROJECT ID
46	LAKE	238275-3-52-01

CROSS SECTIONS
SR 46

SHEET NO.
 141

NOTICE: THE OFFICIAL RECORD OF THIS SHEET IS THE ELECTRONIC FILE SIGNED AND SEALED UNDER RULE 61G15-23.003, F.A.C.



Regular		Exc.		Embankment	
A	V	A	V	A	V
52				121	
	87				246
41				144	
	77				191
42				62	
		104			93

SCALE
 1" = 20' Horizontal
 1" = 10' Vertical

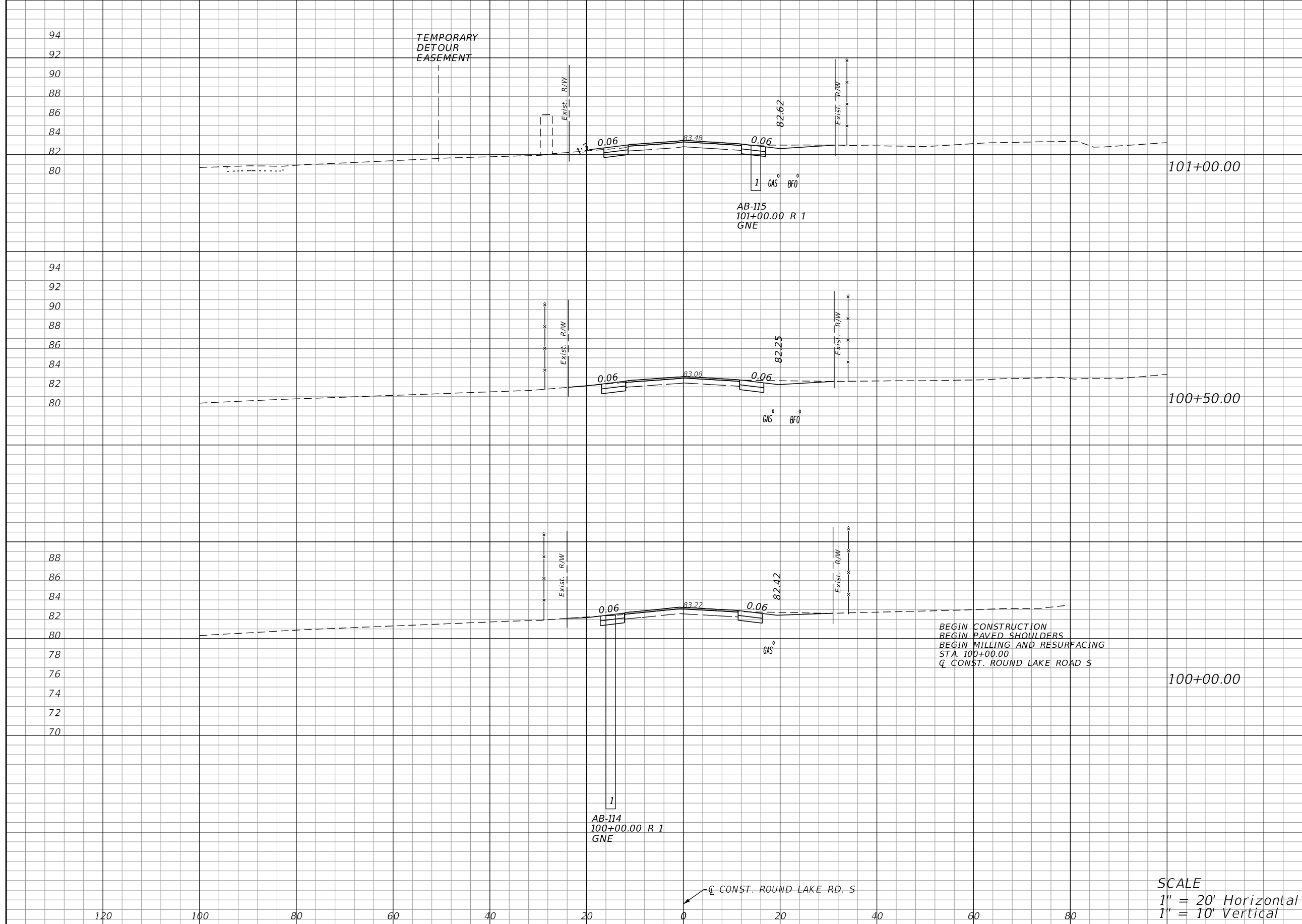
REVISIONS			
DATE	DESCRIPTION	DATE	DESCRIPTION

LOCHRANE ENGINEERING, INC.
 201 SOUTH BUMBY AVENUE
 ORLANDO, FLORIDA 32803
 (407) 896-3317
 FOREST W. ADKINS, P.E.
 P.E. NUMBER 56003
 CERTIFICATE OF AUTHORIZATION NO. 2856

STATE OF FLORIDA DEPARTMENT OF TRANSPORTATION		
ROAD NO.	COUNTY	FINANCIAL PROJECT ID
46	LAKE	238275-3-52-01

CROSS SECTIONS SR 46		SHEET NO.
		142

NOTICE: THE OFFICIAL RECORD OF THIS SHEET IS THE ELECTRONIC FILE SIGNED AND SEALED UNDER RULE 61G15-23.003, F.A.C.



Regular Exc.		Embankment	
A	V	A	V
50	94	1	0
51	59	0	0
13		0	

REVISIONS			
DATE	DESCRIPTION	DATE	DESCRIPTION

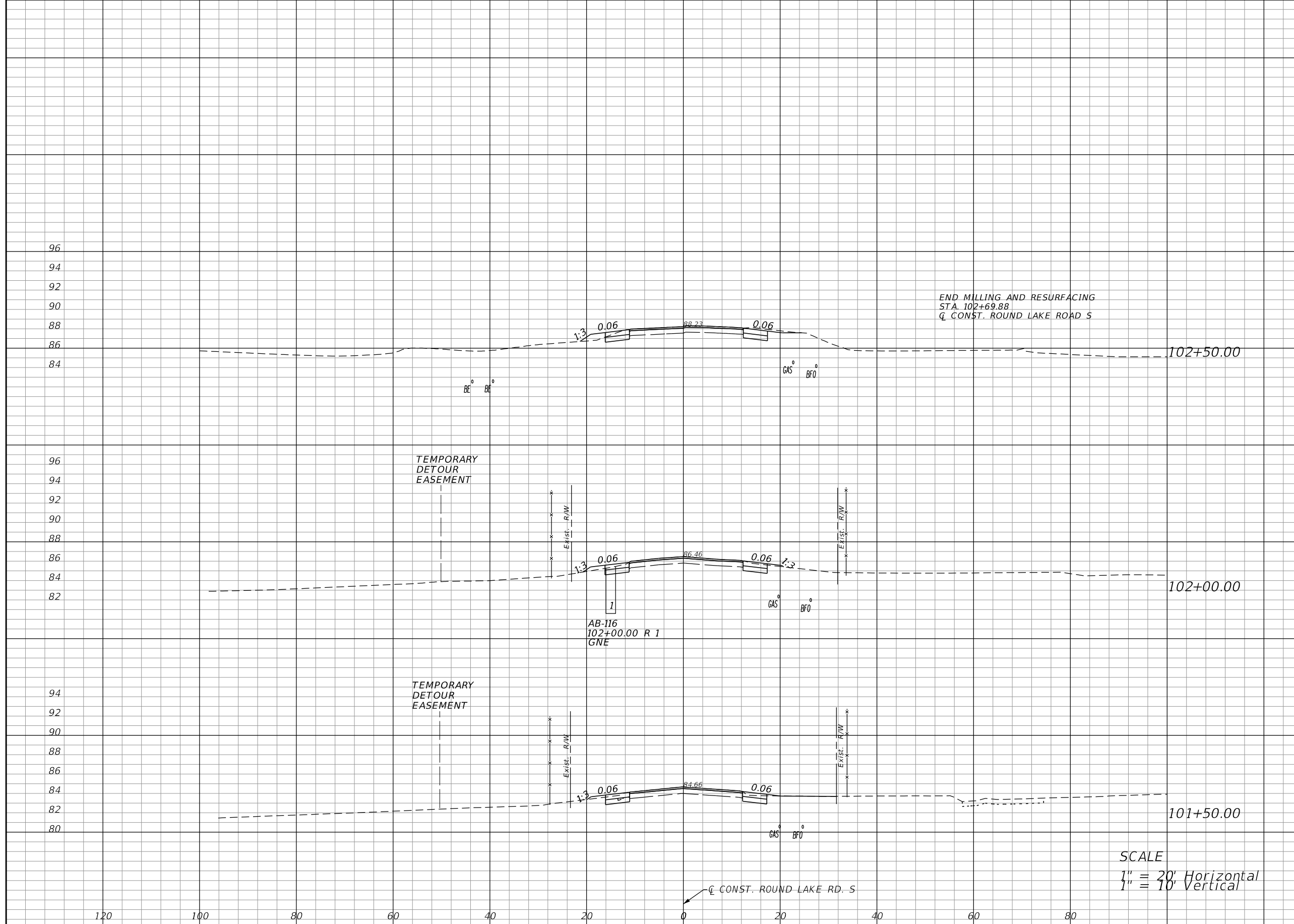
LOCHRANE ENGINEERING, INC.
 201 SOUTH BUMBY AVENUE
 ORLANDO, FLORIDA 32803
 (407) 896-3317
 FOREST W. ADKINS, P.E.
 P.E. NUMBER 56003
 CERTIFICATE OF AUTHORIZATION NO. 2856

STATE OF FLORIDA DEPARTMENT OF TRANSPORTATION		
ROAD NO.	COUNTY	FINANCIAL PROJECT ID
46	LAKE	238275-3-52-01

CROSS SECTIONS
ROUND LAKE ROAD SOUTH

SHEET NO.
 144

NOTICE: THE OFFICIAL RECORD OF THIS SHEET IS THE ELECTRONIC FILE SIGNED AND SEALED UNDER RULE 61G15-23.003, F.A.C.



Regular Exc.		Embankment	
A	V	A	V
20	41	6	8
24	58	3	4
38	81	1	1

SCALE
 1" = 20' Horizontal
 1" = 10' Vertical

REVISIONS			
DATE	DESCRIPTION	DATE	DESCRIPTION

LOCHRANE ENGINEERING, INC.
 201 SOUTH BUMBY AVENUE
 ORLANDO, FLORIDA 32803
 (407) 896-3317
 FOREST W. ADKINS, P.E.
 P.E. NUMBER 56003
 CERTIFICATE OF AUTHORIZATION NO. 2856

STATE OF FLORIDA DEPARTMENT OF TRANSPORTATION		
ROAD NO.	COUNTY	FINANCIAL PROJECT ID
46	LAKE	238275-3-52-01

**CROSS SECTIONS
 ROUND LAKE ROAD SOUTH**

SHEET NO.
 145

NOTICE: THE OFFICIAL RECORD OF THIS SHEET IS THE ELECTRONIC FILE SIGNED AND SEALED UNDER RULE 61G15-23.003, F.A.C.

Regular		Exc.		Embankment	
A	V	A	V	A	V

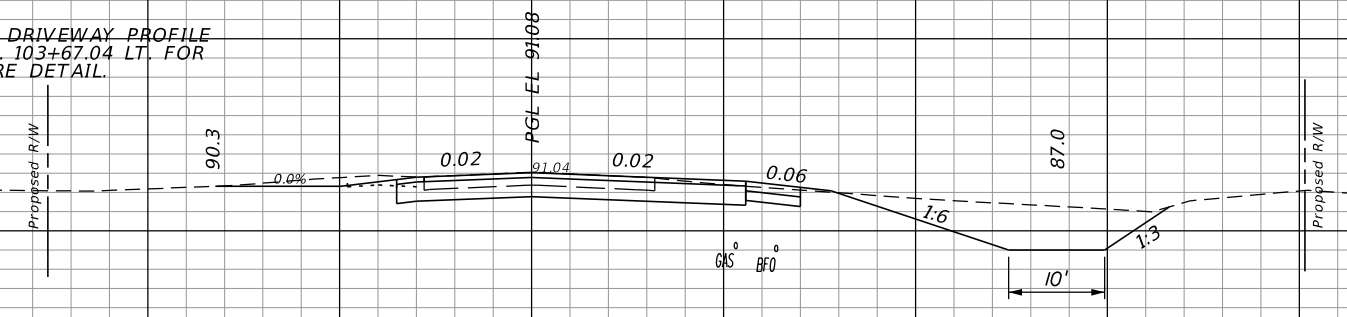
102
100
98
96
94
92
90
88
86
84



104+00.00

75	159	3	4
----	-----	---	---

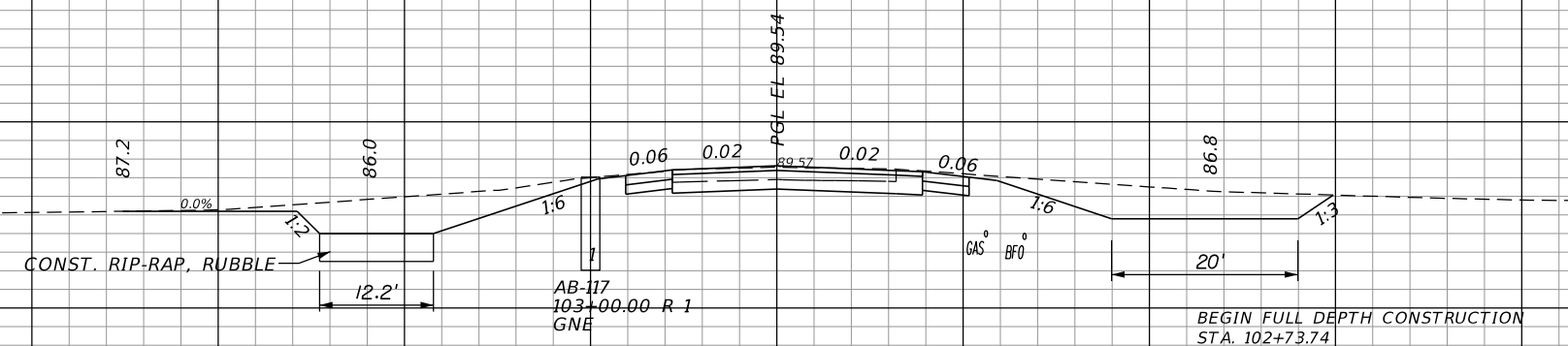
102
100
98
96
94
92
90
88
86
84



103+50.00

97	132	1	1
----	-----	---	---

98
96
94
92
90
88
86
84
82



103+00.00

45	61	0	5
----	----	---	---

SCALE
1" = 20' Horizontal
1" = 10' Vertical

120 100 80 60 40 20 0 20 40 60 80

REVISIONS			
DATE	DESCRIPTION	DATE	DESCRIPTION

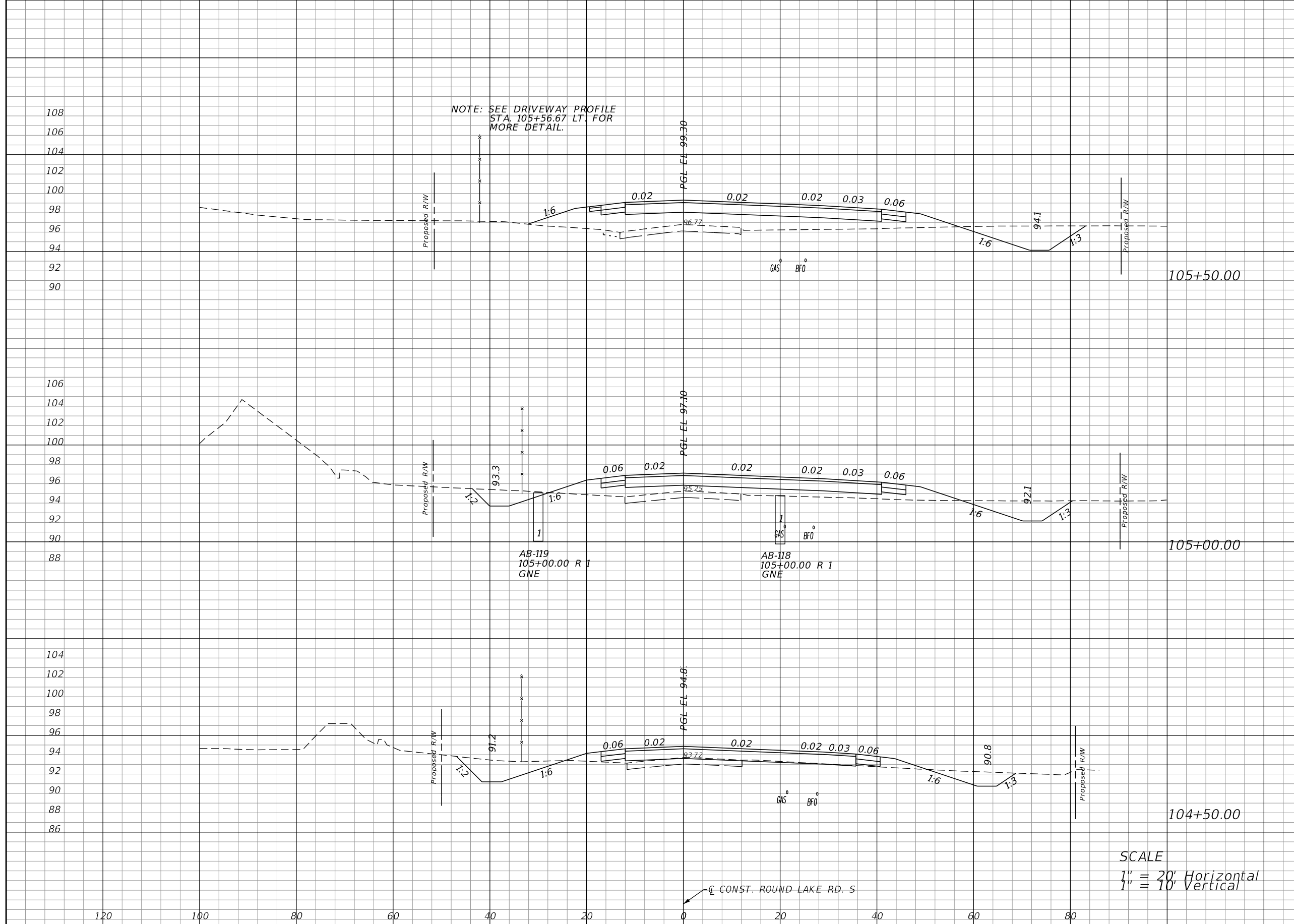
LOCHRANE ENGINEERING, INC.
201 SOUTH BUMBY AVENUE
ORLANDO, FLORIDA 32803
(407) 896-3317
FOREST W. ADKINS, P.E.
P.E. NUMBER 56003
CERTIFICATE OF AUTHORIZATION NO. 2856

STATE OF FLORIDA DEPARTMENT OF TRANSPORTATION		
ROAD NO.	COUNTY	FINANCIAL PROJECT ID
46	LAKE	238275-3-52-01

CROSS SECTIONS
ROUND LAKE ROAD SOUTH

SHEET NO.
146

NOTICE: THE OFFICIAL RECORD OF THIS SHEET IS THE ELECTRONIC FILE SIGNED AND SEALED UNDER RULE 61G15-23.003, F.A.C.



NOTE: SEE DRIVEWAY PROFILE STA. 105+56.67 LT. FOR MORE DETAIL.

105+50.00

105+00.00

104+50.00

SCALE
 1" = 20' Horizontal
 1" = 10' Vertical

CONST. ROUND LAKE RD. S

AB-119
 105+00.00 R 1
 GNE

AB-118
 105+00.00 R 1
 GNE

Regular		Exc.		Embankment	
A	V	A	V	A	V
44	103	114	165		
67	107	65	72		
48	113	13	15		

REVISIONS			
DATE	DESCRIPTION	DATE	DESCRIPTION

LOCHRANE ENGINEERING, INC.
 201 SOUTH BUMBY AVENUE
 ORLANDO, FLORIDA 32803
 (407) 896-3317
 FOREST W. ADKINS, P.E.
 P.E. NUMBER 56003
 CERTIFICATE OF AUTHORIZATION NO. 2856

STATE OF FLORIDA DEPARTMENT OF TRANSPORTATION		
ROAD NO.	COUNTY	FINANCIAL PROJECT ID
46	LAKE	238275-3-52-01

CROSS SECTIONS
ROUND LAKE ROAD SOUTH

SHEET NO.
 147

NOTICE: THE OFFICIAL RECORD OF THIS SHEET IS THE ELECTRONIC FILE SIGNED AND SEALED UNDER RULE 61G15-23.003, F.A.C.

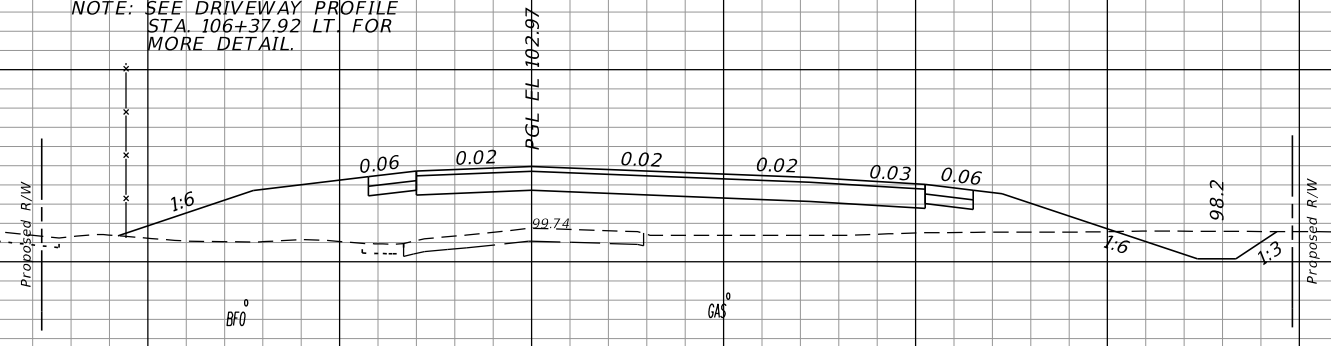
112
110
108
106
104
102
100
98
96



107+00.00

Regular		Exc.		Embankment	
A	V	A	V	A	V
7			20	247	409

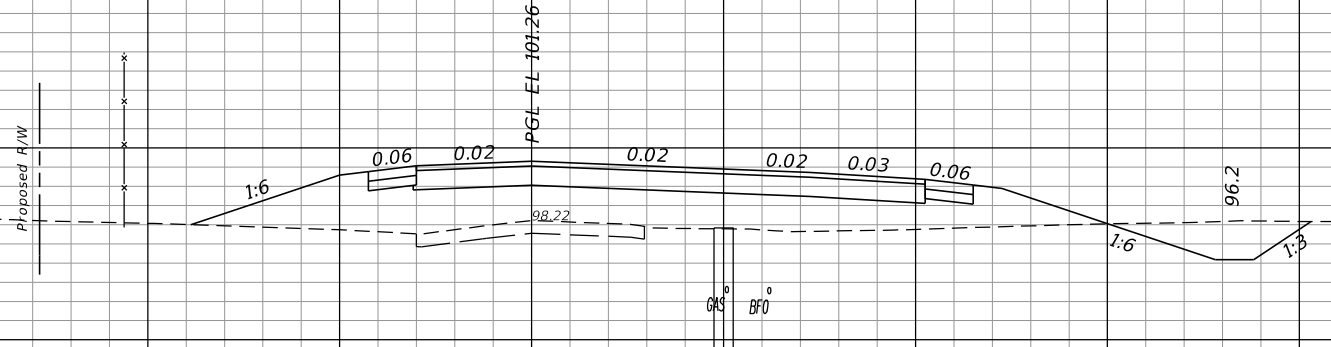
110
108
106
104
102
100
98
96
94



106+50.00

15			55	194	333
----	--	--	----	-----	-----

108
106
104
102
94
98
96
94
92



106+00.00

45			82	165	258
----	--	--	----	-----	-----

SCALE
1" = 20' Horizontal
1" = 10' Vertical

REVISIONS			
DATE	DESCRIPTION	DATE	DESCRIPTION

LOCHRANE ENGINEERING, INC.
201 SOUTH BUMBY AVENUE
ORLANDO, FLORIDA 32803
(407) 896-3317
FOREST W. ADKINS, P.E.
P.E. NUMBER 56003
CERTIFICATE OF AUTHORIZATION NO. 2856

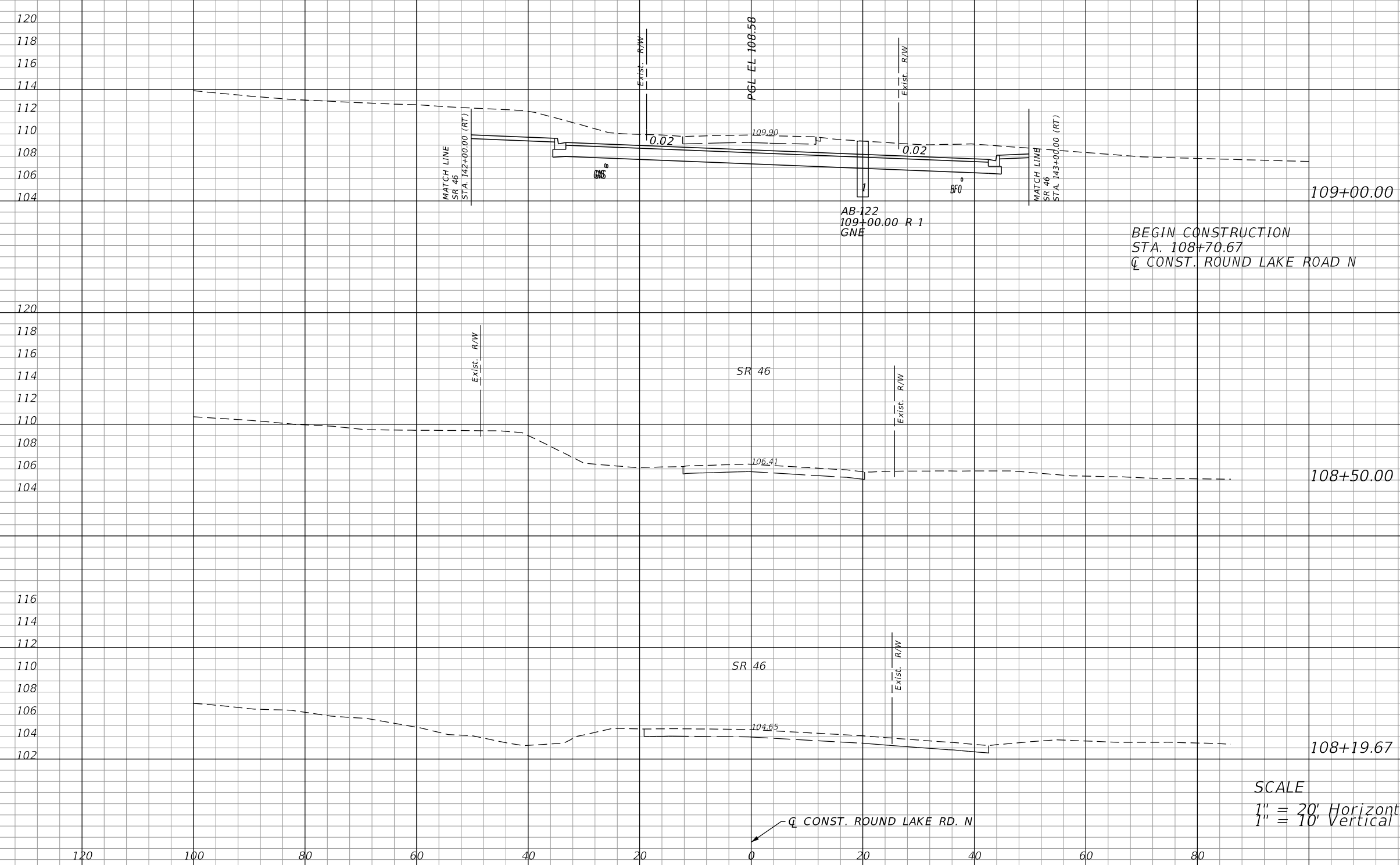
STATE OF FLORIDA DEPARTMENT OF TRANSPORTATION		
ROAD NO.	COUNTY	FINANCIAL PROJECT ID
46	LAKE	238275-3-52-01

CROSS SECTIONS
ROUND LAKE ROAD SOUTH

SHEET NO.
148

NOTICE: THE OFFICIAL RECORD OF THIS SHEET IS THE ELECTRONIC FILE SIGNED AND SEALED UNDER RULE 61G15-23.003, F.A.C.

Regular		Exc.		Embankment	
A	V	A	V	A	V



223	121	0	0
0	0	0	0

BEGIN CONSTRUCTION
 STA. 108+70.67
 Q CONST. ROUND LAKE ROAD N

SCALE
 1" = 20' Horizontal
 1" = 10' Vertical

REVISIONS			
DATE	DESCRIPTION	DATE	DESCRIPTION

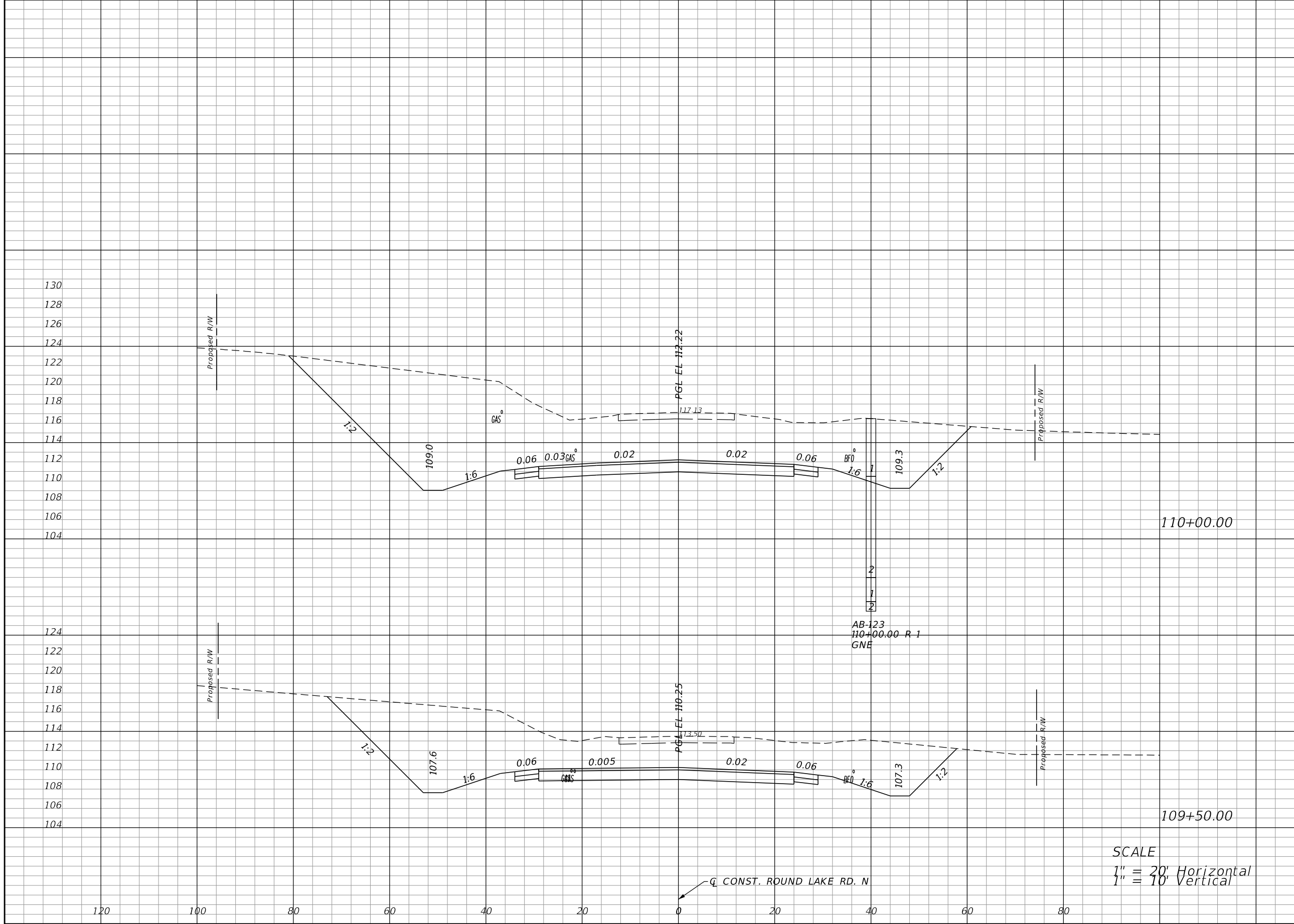
LOCHRANE ENGINEERING, INC.
 201 SOUTH BUMBY AVENUE
 ORLANDO, FLORIDA 32803
 (407) 896-3317
 FOREST W. ADKINS, P.E.
 P.E. NUMBER 56003
 CERTIFICATE OF AUTHORIZATION NO. 2856

STATE OF FLORIDA DEPARTMENT OF TRANSPORTATION		
ROAD NO.	COUNTY	FINANCIAL PROJECT ID
46	LAKE	238275-3-52-01

CROSS SECTIONS
ROUND LAKE ROAD NORTH

SHEET NO.
 150

NOTICE: THE OFFICIAL RECORD OF THIS SHEET IS THE ELECTRONIC FILE SIGNED AND SEALED UNDER RULE 61G15-23.003, F.A.C.



Regular		Exc.		Embankment	
A	V	A	V	A	V
930	1454	0	0	0	0
641	800	0	0	0	0

SCALE
 1" = 20' Horizontal
 1" = 10' Vertical

REVISIONS			
DATE	DESCRIPTION	DATE	DESCRIPTION

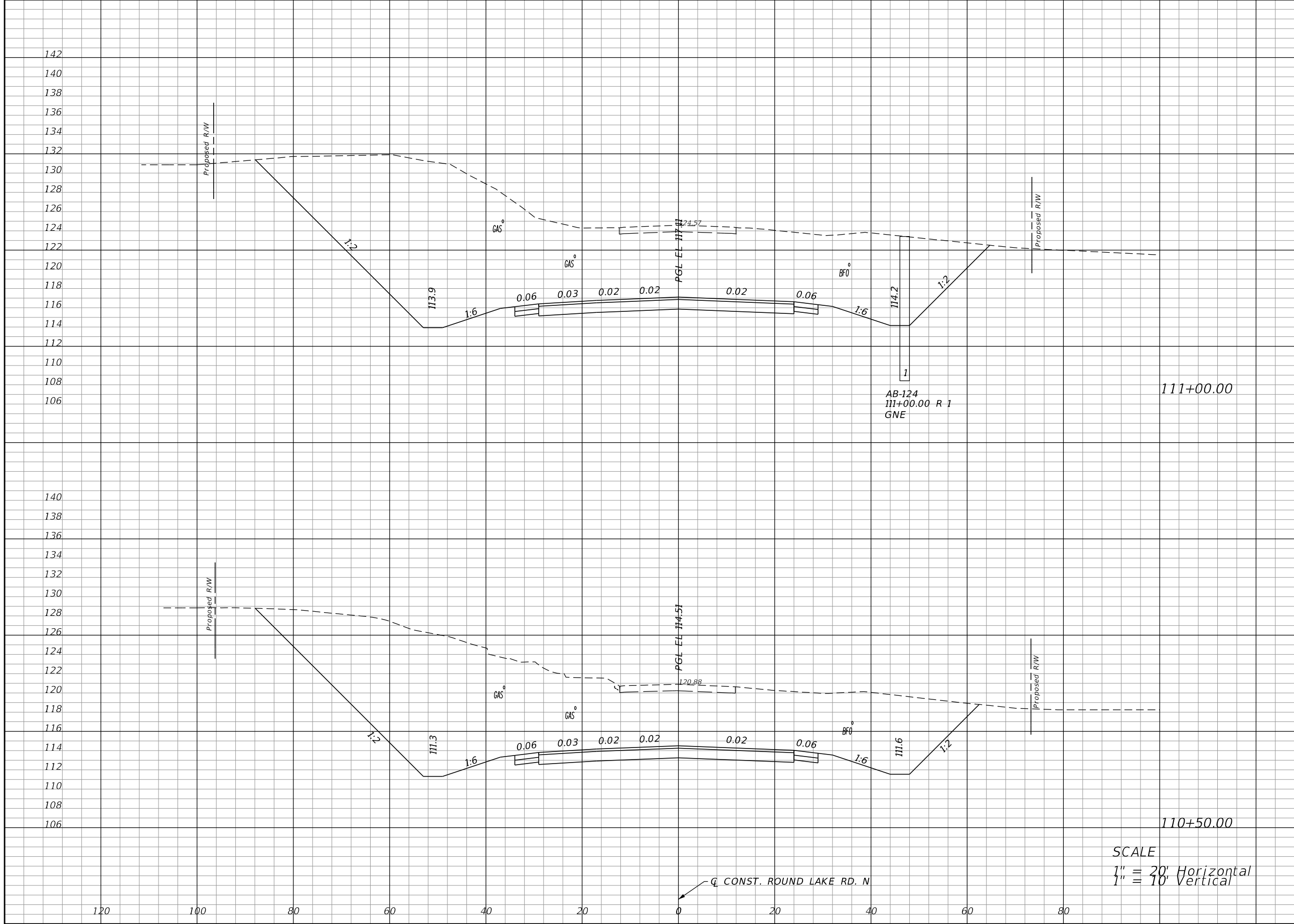
LOCHRANE ENGINEERING, INC.
 201 SOUTH BUMBAY AVENUE
 ORLANDO, FLORIDA 32803
 (407) 896-3317
 FOREST W. ADKINS, P.E.
 P.E. NUMBER 56003
 CERTIFICATE OF AUTHORIZATION NO. 2856

STATE OF FLORIDA DEPARTMENT OF TRANSPORTATION		
ROAD NO.	COUNTY	FINANCIAL PROJECT ID
46	LAKE	238275-3-52-01

CROSS SECTIONS
ROUND LAKE ROAD NORTH

SHEET NO.
 151

NOTICE: THE OFFICIAL RECORD OF THIS SHEET IS THE ELECTRONIC FILE SIGNED AND SEALED UNDER RULE 61G15-23.003, F.A.C.



Regular		Exc.		Embankment	
A	V	A	V	A	V
1398	2389	0	0	0	0
1182	1956	0	0	0	0

SCALE
 1" = 20' Horizontal
 1" = 10' Vertical

REVISIONS			
DATE	DESCRIPTION	DATE	DESCRIPTION

LOCHRANE ENGINEERING, INC.
 201 SOUTH BUMBY AVENUE
 ORLANDO, FLORIDA 32803
 (407) 896-3317
 FOREST W. ADKINS, P.E.
 P.E. NUMBER 56003
 CERTIFICATE OF AUTHORIZATION NO. 2856

STATE OF FLORIDA DEPARTMENT OF TRANSPORTATION		
ROAD NO.	COUNTY	FINANCIAL PROJECT ID
46	LAKE	238275-3-52-01

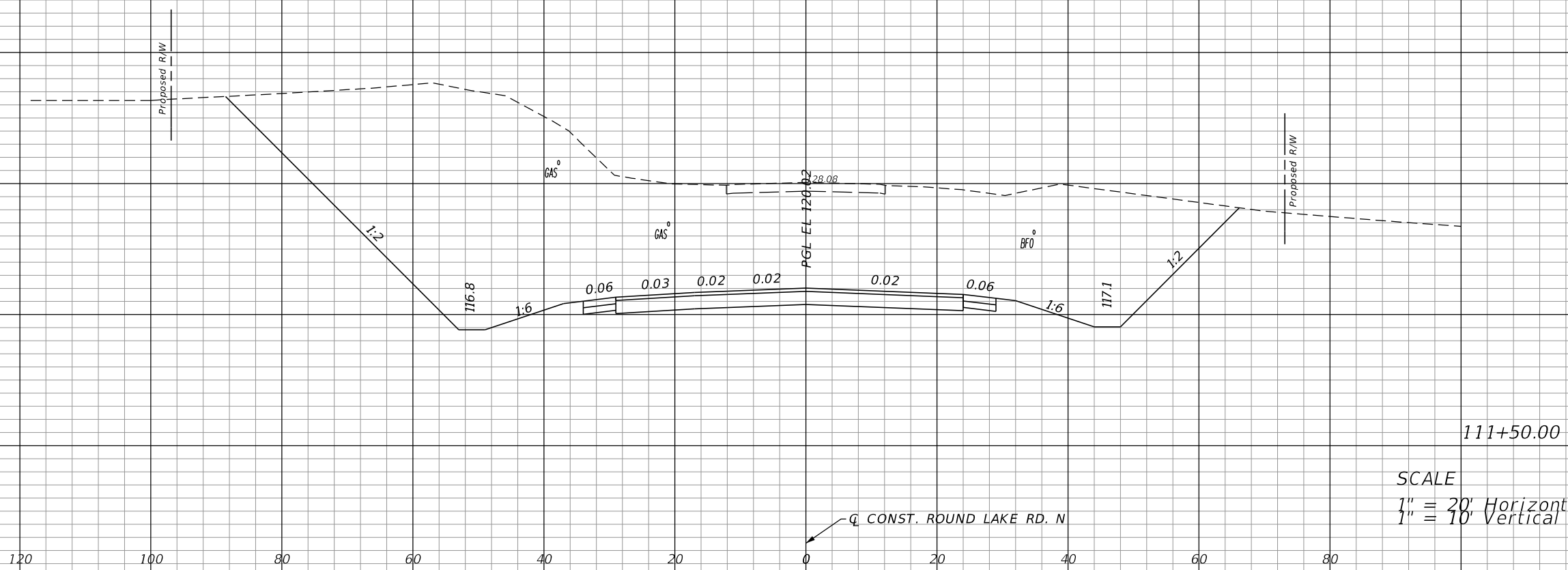
CROSS SECTIONS
ROUND LAKE ROAD NORTH

SHEET NO.
 152

NOTICE: THE OFFICIAL RECORD OF THIS SHEET IS THE ELECTRONIC FILE SIGNED AND SEALED UNDER RULE 61G15-23.003, F.A.C.

Regular		Exc.		Embankment	
A	V	A	V	A	V

146
144
142
140
138
136
134
132
130
128
126
124
122
120
118
116
114
112
110
108



1517	2699	0	0
------	------	---	---

SCALE
1" = 20' Horizontal
1" = 10' Vertical

REVISIONS			
DATE	DESCRIPTION	DATE	DESCRIPTION

LOCHRANE ENGINEERING, INC.
201 SOUTH BUMBY AVENUE
ORLANDO, FLORIDA 32803
(407) 896-3317
FOREST W. ADKINS, P.E.
P.E. NUMBER 56003
CERTIFICATE OF AUTHORIZATION NO. 2856

STATE OF FLORIDA DEPARTMENT OF TRANSPORTATION		
ROAD NO.	COUNTY	FINANCIAL PROJECT ID
46	LAKE	238275-3-52-01

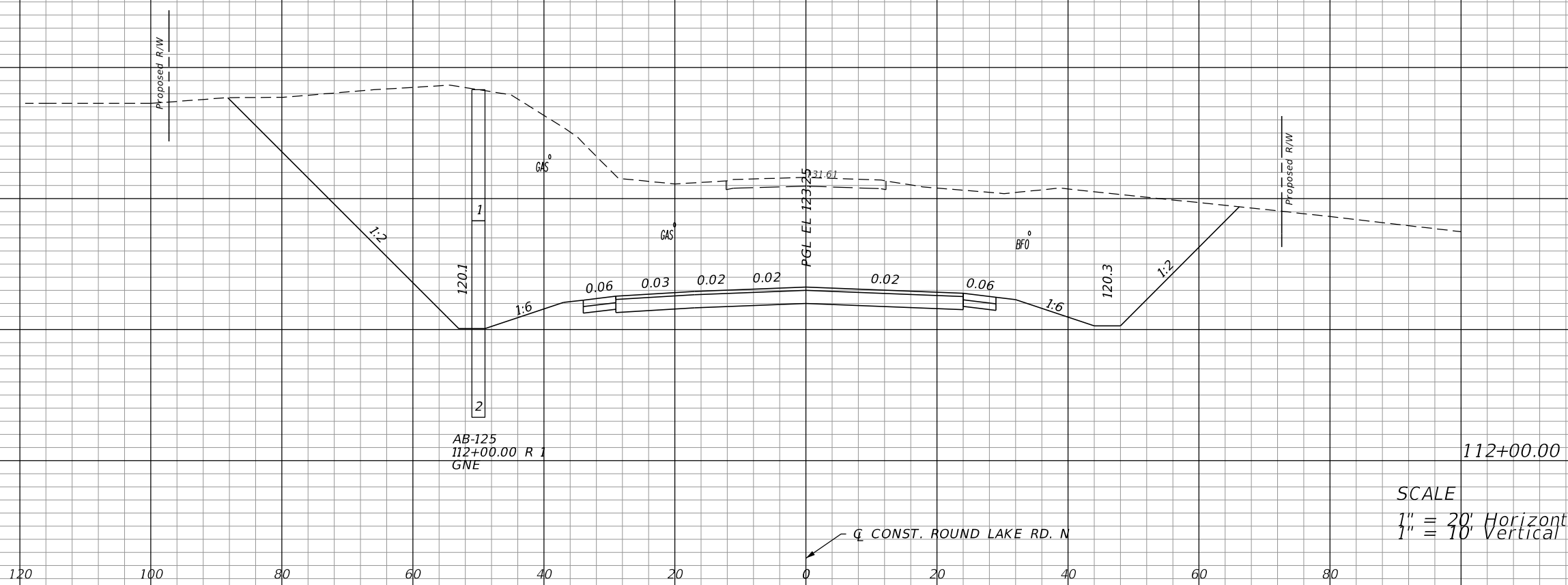
**CROSS SECTIONS
ROUND LAKE ROAD NORTH**

SHEET NO.
153

NOTICE: THE OFFICIAL RECORD OF THIS SHEET IS THE ELECTRONIC FILE SIGNED AND SEALED UNDER RULE 61G15-23.003, F.A.C.

Regular		Exc.		Embankment	
A	V	A	V	A	V

150
148
146
144
142
140
138
136
134
132
130
128
126
124
122
120
118
116
114
112
110



1508	2801	0	0
------	------	---	---

SCALE
1" = 20' Horizontal
1" = 10' Vertical

CONST. ROUND LAKE RD. N

REVISIONS			
DATE	DESCRIPTION	DATE	DESCRIPTION

LOCHRANE ENGINEERING, INC.
201 SOUTH BUMBY AVENUE
ORLANDO, FLORIDA 32803
(407) 896-3317
FOREST W. ADKINS, P.E.
P.E. NUMBER 56003
CERTIFICATE OF AUTHORIZATION NO. 2856

STATE OF FLORIDA DEPARTMENT OF TRANSPORTATION		
ROAD NO.	COUNTY	FINANCIAL PROJECT ID
46	LAKE	238275-3-52-01

CROSS SECTIONS
ROUND LAKE ROAD NORTH

SHEET NO.
154

NOTICE: THE OFFICIAL RECORD OF THIS SHEET IS THE ELECTRONIC FILE SIGNED AND SEALED UNDER RULE 61G15-23.003, F.A.C.

Regular		Exc.		Embankment	
A	V	A	V	A	V

152
150
148
146
144
142
140
138
136
134
132
130
128
126
124
122
120
118
116
114
112

120 100 80 60 40 20 0 20 40 60 80

Proposed R/W

Proposed R/W

GAS°

GAS°

BFO°

PGL EL 126.58
34.87

1:2

123.4

1.6

0.06

0.03

0.02

0.02

0.02

0.06

1.6

123.6

1:2

112+50.00

SCALE
1" = 20' Horizontal
1" = 10' Vertical

Q CONST. ROUND LAKE RD. N

1453

2741

0

0

REVISIONS			
DATE	DESCRIPTION	DATE	DESCRIPTION

LOCHRANE ENGINEERING, INC.
201 SOUTH BUMBY AVENUE
ORLANDO, FLORIDA 32803
(407) 896-3317
FOREST W. ADKINS, P.E.
P.E. NUMBER 56003
CERTIFICATE OF AUTHORIZATION NO. 2856

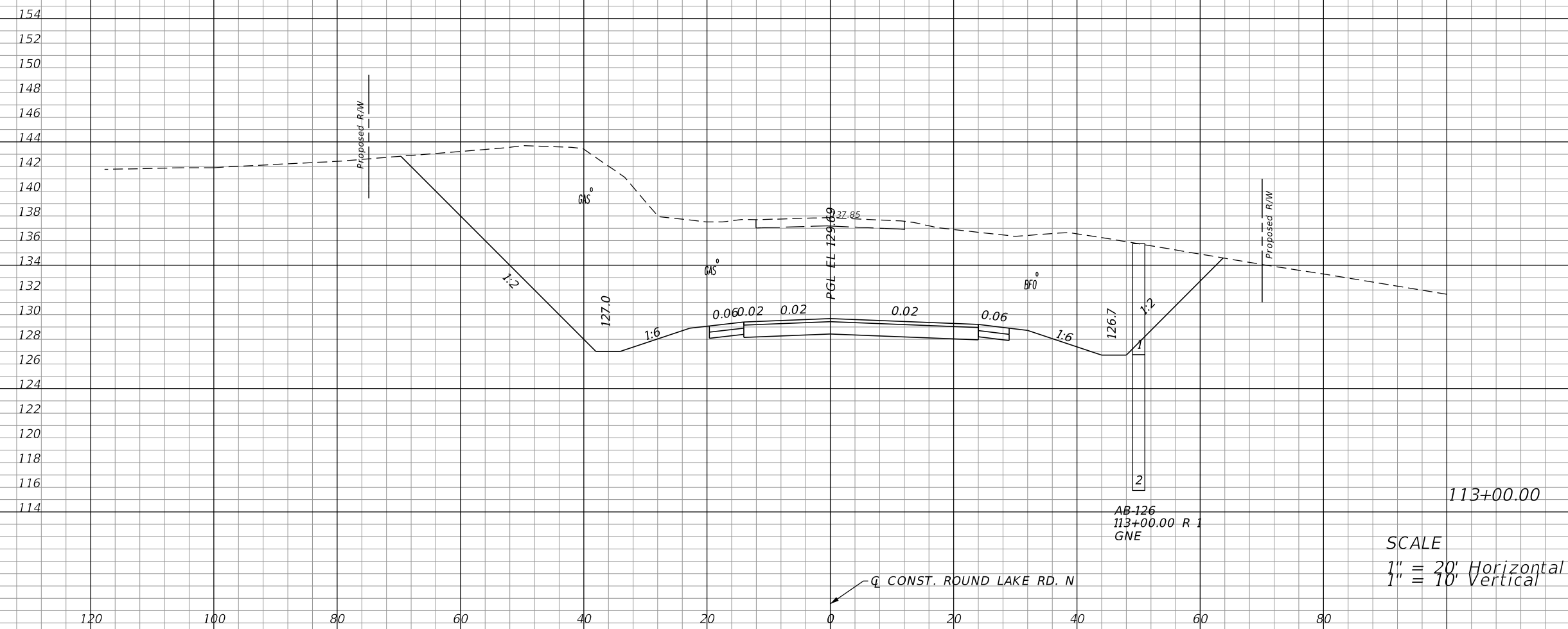
STATE OF FLORIDA DEPARTMENT OF TRANSPORTATION		
ROAD NO.	COUNTY	FINANCIAL PROJECT ID
46	LAKE	238275-3-52-01

CROSS SECTIONS
ROUND LAKE ROAD NORTH

SHEET NO.
155

NOTICE: THE OFFICIAL RECORD OF THIS SHEET IS THE ELECTRONIC FILE SIGNED AND SEALED UNDER RULE 61G15-23.003, F.A.C.

Regular		Exc.		Embankment	
A	V	A	V	A	V



1162	2421	0	0
------	------	---	---

SCALE
 1" = 20' Horizontal
 1" = 10' Vertical

REVISIONS			
DATE	DESCRIPTION	DATE	DESCRIPTION

LOCHRANE ENGINEERING, INC.
 201 SOUTH BUMBY AVENUE
 ORLANDO, FLORIDA 32803
 (407) 896-3317
 FOREST W. ADKINS, P.E.
 P.E. NUMBER 56003
 CERTIFICATE OF AUTHORIZATION NO. 2856

STATE OF FLORIDA DEPARTMENT OF TRANSPORTATION		
ROAD NO.	COUNTY	FINANCIAL PROJECT ID
46	LAKE	238275-3-52-01

CROSS SECTIONS
ROUND LAKE ROAD NORTH

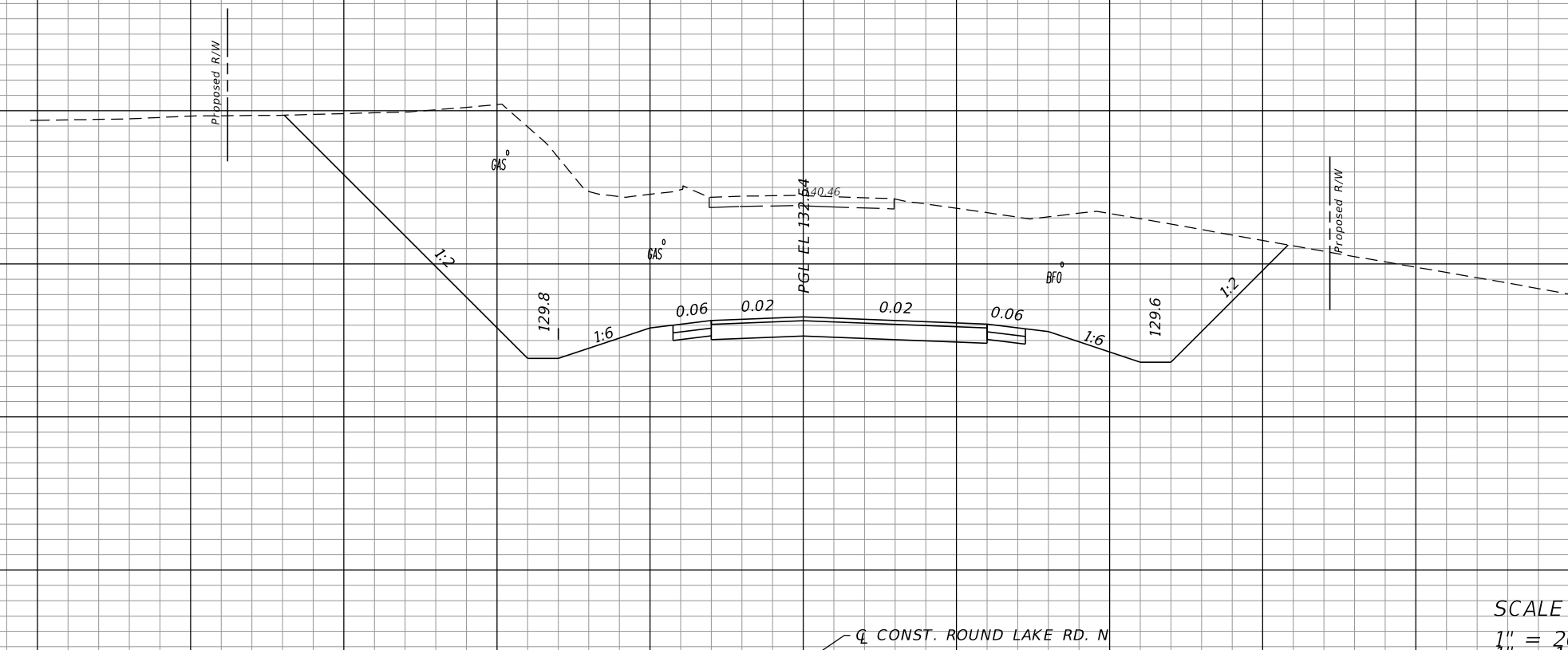
SHEET NO.
156

NOTICE: THE OFFICIAL RECORD OF THIS SHEET IS THE ELECTRONIC FILE SIGNED AND SEALED UNDER RULE 61G15-23.003, F.A.C.

Regular		Exc.		Embankment	
A	V	A	V	A	V

158
156
154
152
150
148
146
144
142
140
138
136
134
132
130
128
126
124
122
120
118
116

120 100 80 60 40 20 0 20 40 60 80



113+50.00

SCALE
1" = 20' Horizontal
1" = 10' Vertical

1111	2105	0	0
------	------	---	---

REVISIONS			
DATE	DESCRIPTION	DATE	DESCRIPTION

LOCHRANE ENGINEERING, INC.
201 SOUTH BUMBY AVENUE
ORLANDO, FLORIDA 32803
(407) 896-3317
FOREST W. ADKINS, P.E.
P.E. NUMBER 56003
CERTIFICATE OF AUTHORIZATION NO. 2856

STATE OF FLORIDA DEPARTMENT OF TRANSPORTATION		
ROAD NO.	COUNTY	FINANCIAL PROJECT ID
SR 46	LAKE	238275-3-52-01

CROSS SECTIONS
ROUND LAKE ROAD NORTH

SHEET NO.
157

NOTICE: THE OFFICIAL RECORD OF THIS SHEET IS THE ELECTRONIC FILE SIGNED AND SEALED UNDER RULE 61G15-23.003, F.A.C.

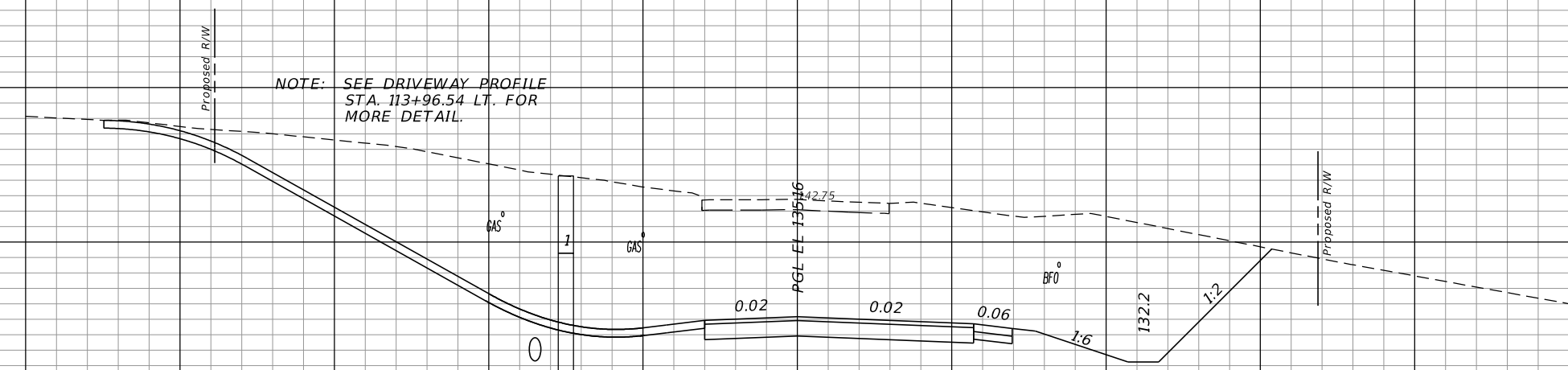
158
156
154
152
148
146
144
142
140
138
136
134
132
130
128
126
124
122



114+50.00

Regular		Exc.		Embankment	
A	V	A	V	A	V
980		1859		0	0

156
154
152
150
148
146
144
142
140
138
136
134
132
130
128
126
124
122
120



NOTE: SEE DRIVEWAY PROFILE
STA. 113+96.54 LT. FOR
MORE DETAIL.

AB - 127
114+00.00 R 1
GNE

114+00.00

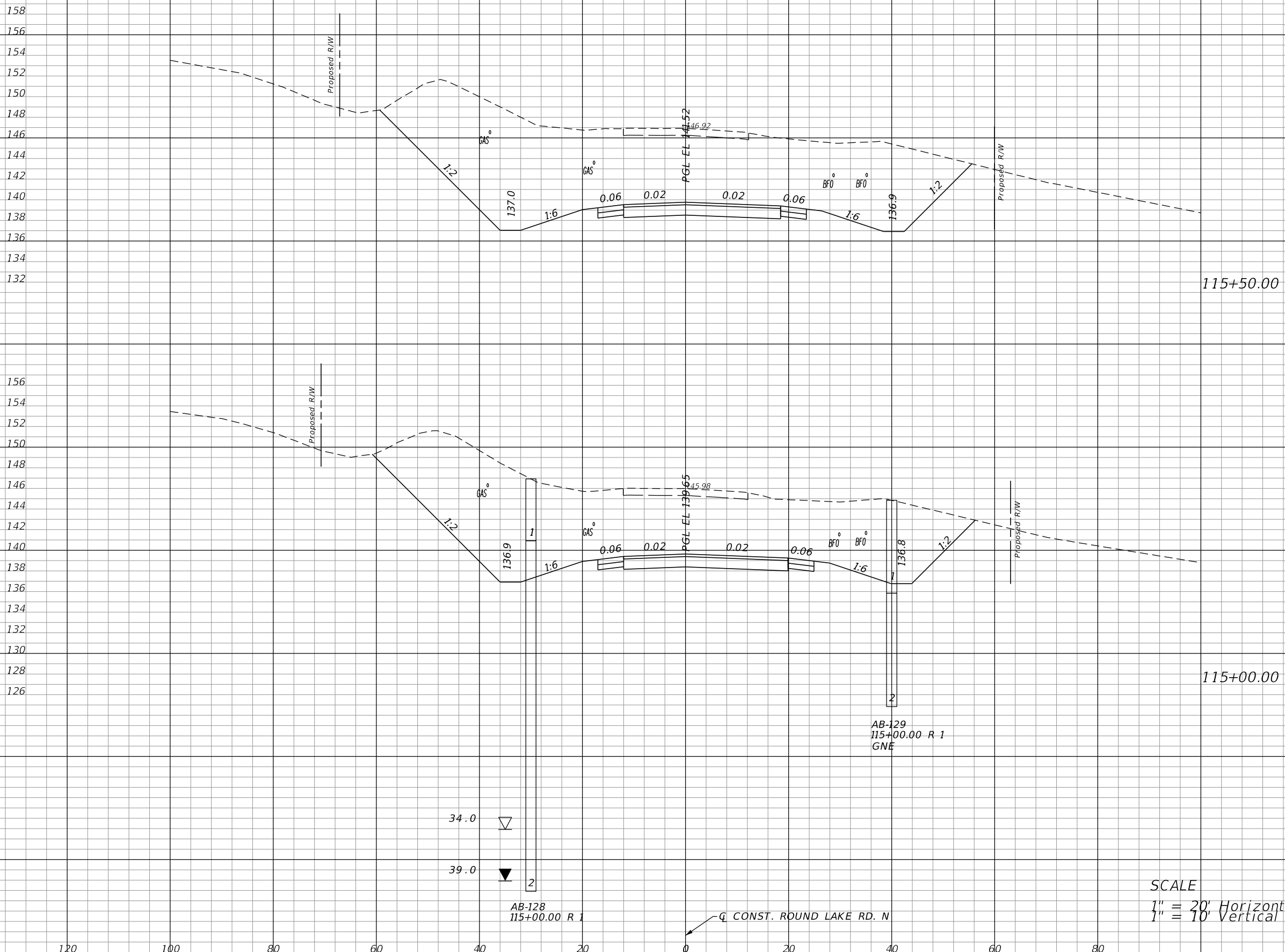
SCALE
1" = 20' Horizontal
1" = 10' Vertical

CONST. ROUND LAKE RD. N

120 100 80 60 40 20 0 20 40 60 80

REVISIONS				LOCHRANE ENGINEERING, INC. 201 SOUTH BUMBY AVENUE ORLANDO, FLORIDA 32803 (407) 896-3317 FOREST W. ADKINS, P.E. P.E. NUMBER 56003 CERTIFICATE OF AUTHORIZATION NO. 2856	STATE OF FLORIDA DEPARTMENT OF TRANSPORTATION			CROSS SECTIONS ROUND LAKE ROAD NORTH	SHEET NO. 158
DATE	DESCRIPTION	DATE	DESCRIPTION		ROAD NO.	COUNTY	FINANCIAL PROJECT ID		
					46	LAKE	238275-3-52-01		

NOTICE: THE OFFICIAL RECORD OF THIS SHEET IS THE ELECTRONIC FILE SIGNED AND SEALED UNDER RULE 61G15-23.003, F.A.C.



Regular		Exc.		Embankment	
A	V	A	V	A	V
887			1598	0	0
839			1684	0	0

REVISIONS			
DATE	DESCRIPTION	DATE	DESCRIPTION

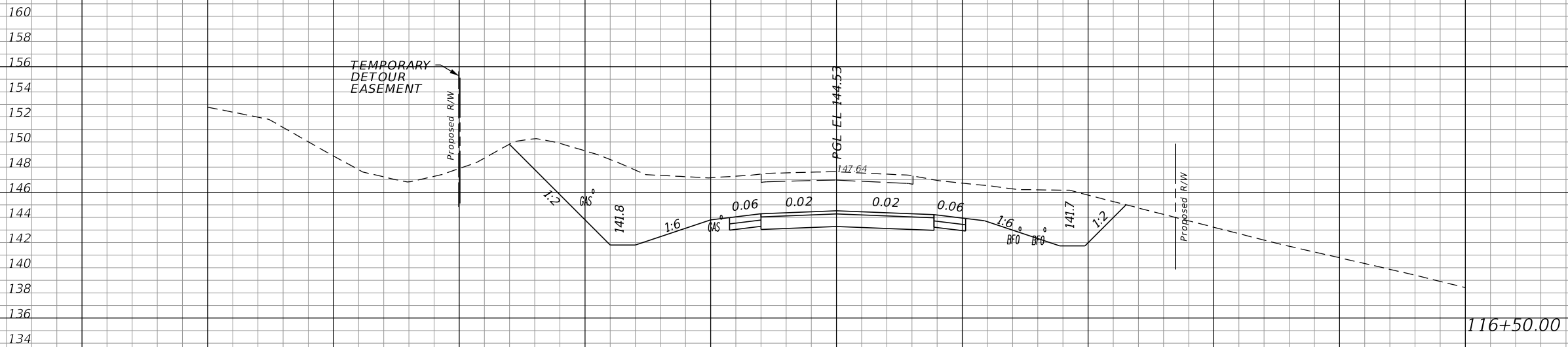
LOCHRANE ENGINEERING, INC.
 201 SOUTH BUMBY AVENUE
 ORLANDO, FLORIDA 32803
 (407) 896-3317
 FOREST W. ADKINS, P.E.
 P.E. NUMBER 56003
 CERTIFICATE OF AUTHORIZATION NO. 2856

STATE OF FLORIDA DEPARTMENT OF TRANSPORTATION		
ROAD NO.	COUNTY	FINANCIAL PROJECT ID
46	LAKE	238275-3-52-01

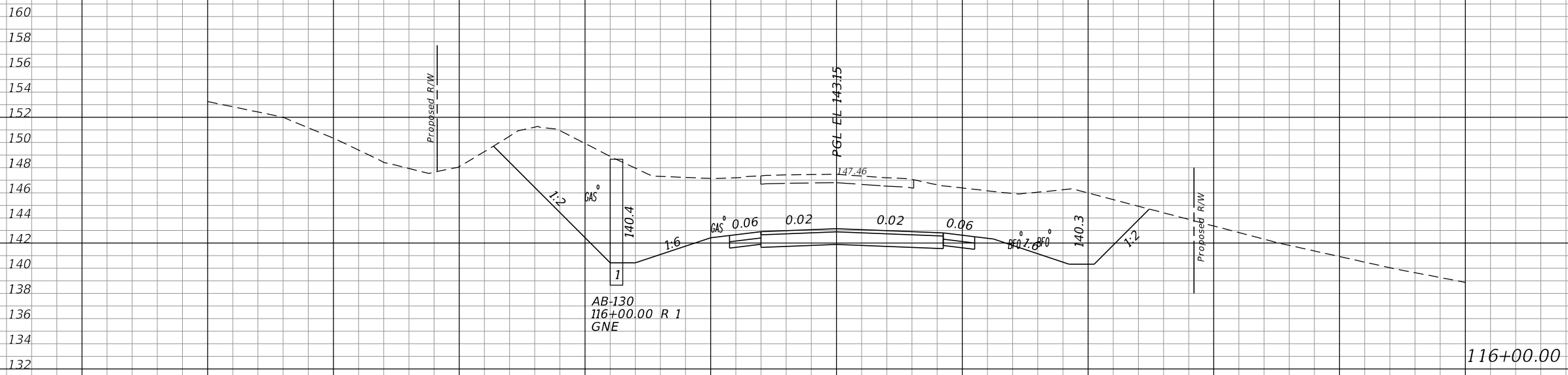
CROSS SECTIONS
ROUND LAKE ROAD NORTH

SHEET
 NO.
159

NOTICE: THE OFFICIAL RECORD OF THIS SHEET IS THE ELECTRONIC FILE SIGNED AND SEALED UNDER RULE 61G15-23.003, F.A.C.



Regular		Exc.		Embankment	
A	V	A	V	A	V
393			866	0	0
542			1323	0	0



SCALE
 1" = 20' Horizontal
 1" = 10' Vertical

REVISIONS			
DATE	DESCRIPTION	DATE	DESCRIPTION

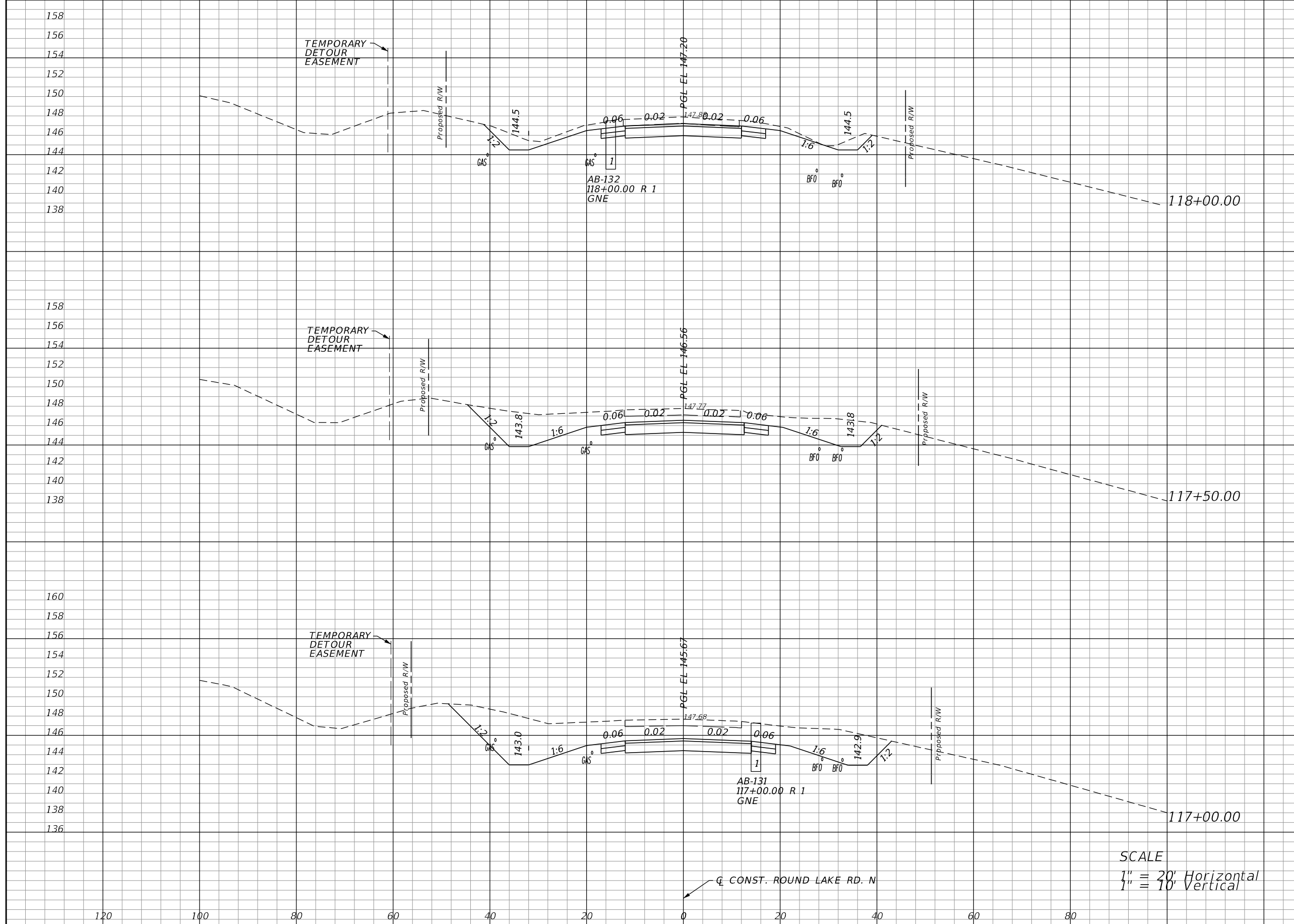
LOCHRANE ENGINEERING, INC.
 201 SOUTH BUMBY AVENUE
 ORLANDO, FLORIDA 32803
 (407) 896-3317
 FOREST W. ADKINS, P.E.
 P.E. NUMBER 56003
 CERTIFICATE OF AUTHORIZATION NO. 2856

STATE OF FLORIDA DEPARTMENT OF TRANSPORTATION		
ROAD NO.	COUNTY	FINANCIAL PROJECT ID
46	LAKE	238275-3-52-01

CROSS SECTIONS
ROUND LAKE ROAD NORTH

SHEET NO.
 160

NOTICE: THE OFFICIAL RECORD OF THIS SHEET IS THE ELECTRONIC FILE SIGNED AND SEALED UNDER RULE 61G15-23.003, F.A.C.



Regular	Exc.	Embankment	
		A	V
92	261	0	0
190	435	0	0
280	623	0	0

SCALE
 1" = 20' Horizontal
 1" = 10' Vertical

REVISIONS			
DATE	DESCRIPTION	DATE	DESCRIPTION

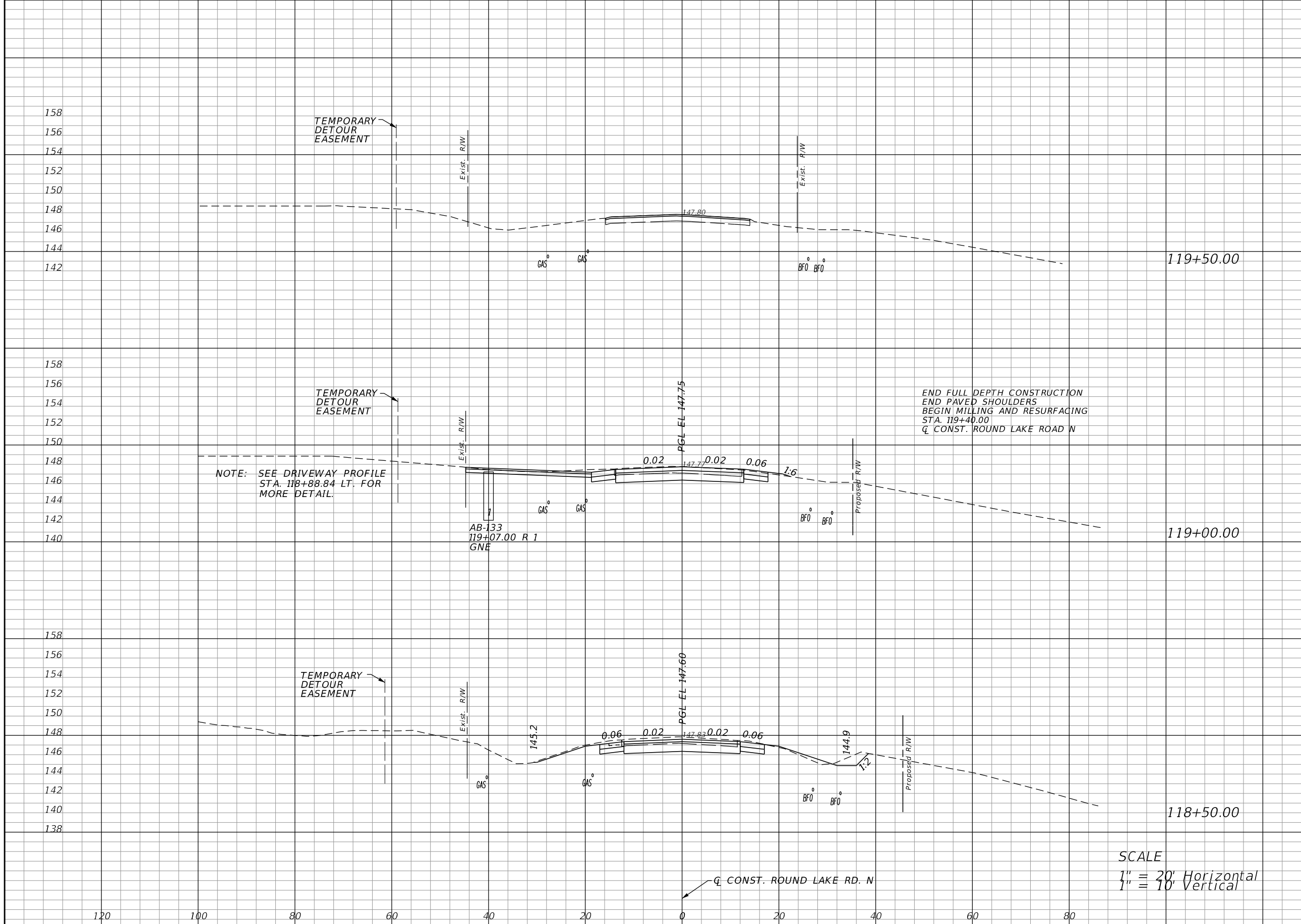
LOCHRANE ENGINEERING, INC.
 201 SOUTH BUMBAY AVENUE
 ORLANDO, FLORIDA 32803
 (407) 896-3317
 FOREST W. ADKINS, P.E.
 P.E. NUMBER 56003
 CERTIFICATE OF AUTHORIZATION NO. 2856

STATE OF FLORIDA DEPARTMENT OF TRANSPORTATION		
ROAD NO.	COUNTY	FINANCIAL PROJECT ID
46	LAKE	238275-3-52-01

CROSS SECTIONS
ROUND LAKE ROAD NORTH

SHEET NO.
 161

NOTICE: THE OFFICIAL RECORD OF THIS SHEET IS THE ELECTRONIC FILE SIGNED AND SEALED UNDER RULE 61G15-23.003, F.A.C.



Regular		Exc.		Embankment	
A	V	A	V	A	V
0		0			
60	44	1			
	105			1	3
54		3			
	135				2

REVISIONS			
DATE	DESCRIPTION	DATE	DESCRIPTION

LOCHRANE ENGINEERING, INC.
 201 SOUTH BUMBY AVENUE
 ORLANDO, FLORIDA 32803
 (407) 896-3317
 FOREST W. ADKINS, P.E.
 P.E. NUMBER 56003
 CERTIFICATE OF AUTHORIZATION NO. 2856

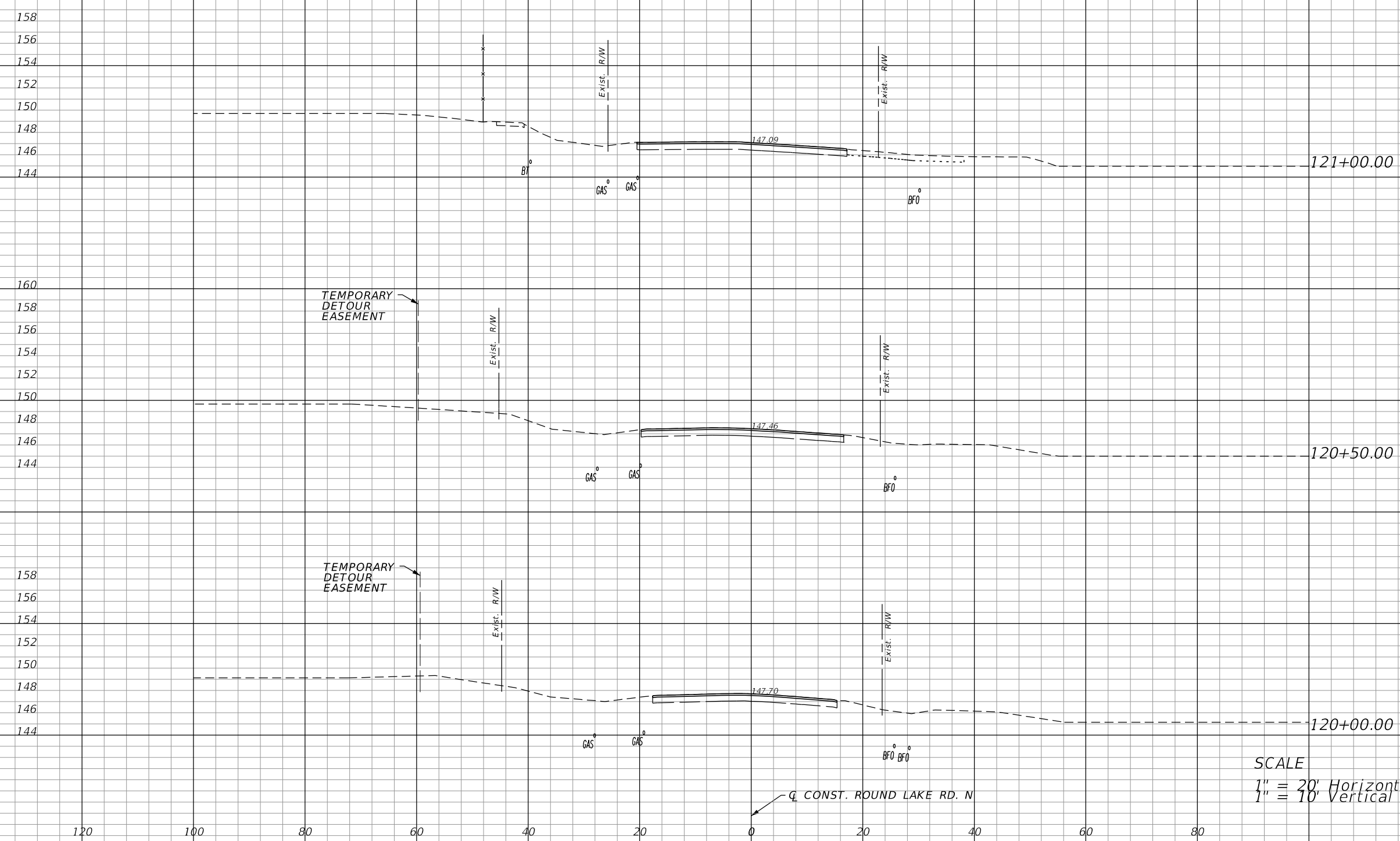
STATE OF FLORIDA DEPARTMENT OF TRANSPORTATION		
ROAD NO.	COUNTY	FINANCIAL PROJECT ID
46	LAKE	238275-3-52-01

CROSS SECTIONS
ROUND LAKE ROAD NORTH

SHEET
 NO.
162

NOTICE: THE OFFICIAL RECORD OF THIS SHEET IS THE ELECTRONIC FILE SIGNED AND SEALED UNDER RULE 61G15-23.003, F.A.C.

Regular		Exc.		Embankment	
A	V	A	V	A	V



SCALE
 1" = 20' Horizontal
 1" = 10' Vertical

REVISIONS			
DATE	DESCRIPTION	DATE	DESCRIPTION

LOCHRANE ENGINEERING, INC.
 201 SOUTH BUMBY AVENUE
 ORLANDO, FLORIDA 32803
 (407) 896-3317
 FOREST W. ADKINS, P.E.
 P.E. NUMBER 56003
 CERTIFICATE OF AUTHORIZATION NO. 2856

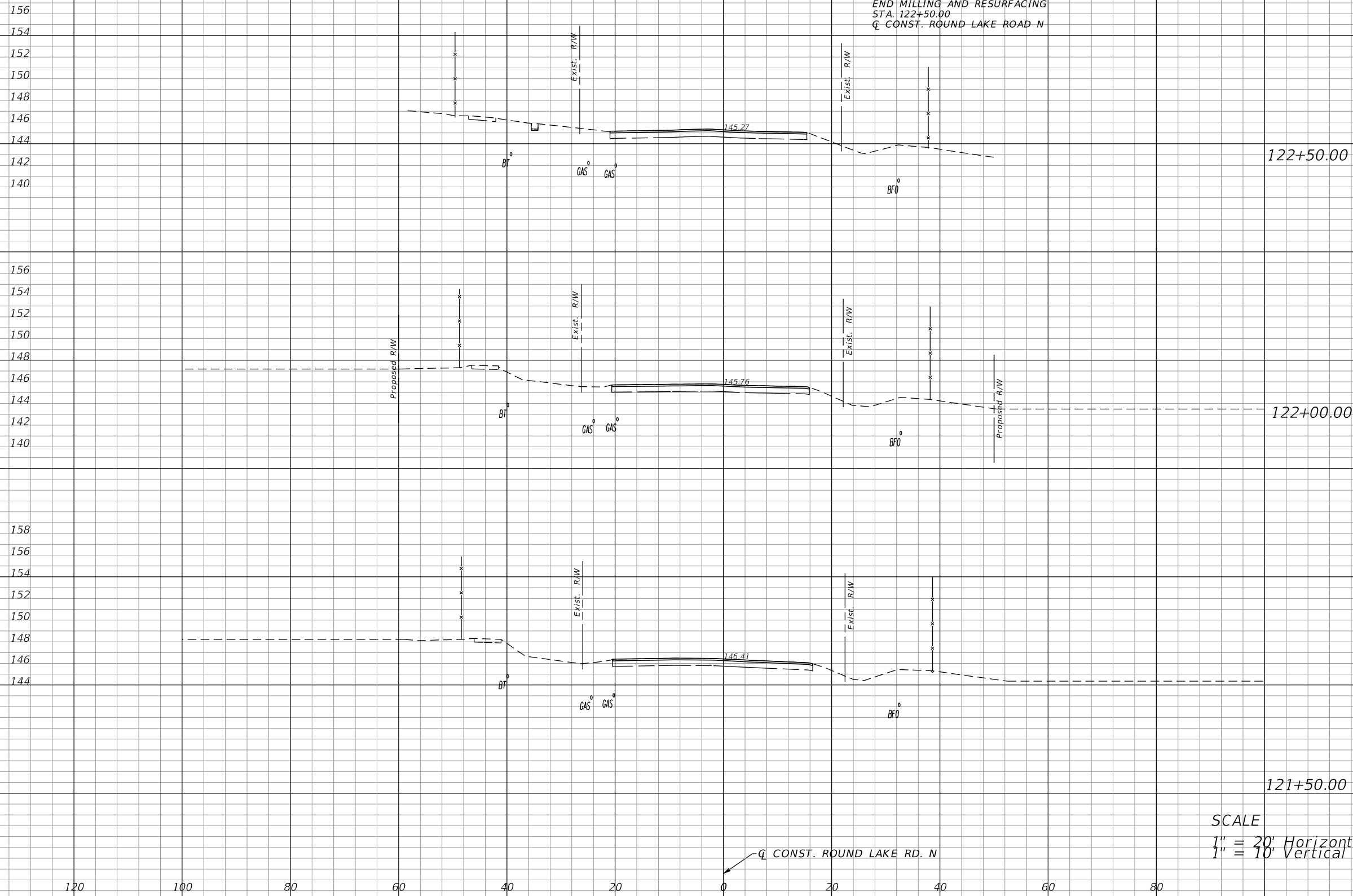
STATE OF FLORIDA DEPARTMENT OF TRANSPORTATION		
ROAD NO.	COUNTY	FINANCIAL PROJECT ID
46	LAKE	238275-3-52-01

CROSS SECTIONS
ROUND LAKE ROAD NORTH

SHEET NO.
 163

NOTICE: THE OFFICIAL RECORD OF THIS SHEET IS THE ELECTRONIC FILE SIGNED AND SEALED UNDER RULE 61G15-23.003, F.A.C.

Regular		Exc.		Embankment	
A	V	A	V	A	V



END CONSTRUCTION
 END MILLING AND RESURFACING
 STA. 122+50.00
 Q CONST. ROUND LAKE ROAD N

SCALE
 1" = 20' Horizontal
 1" = 10' Vertical

REVISIONS			
DATE	DESCRIPTION	DATE	DESCRIPTION

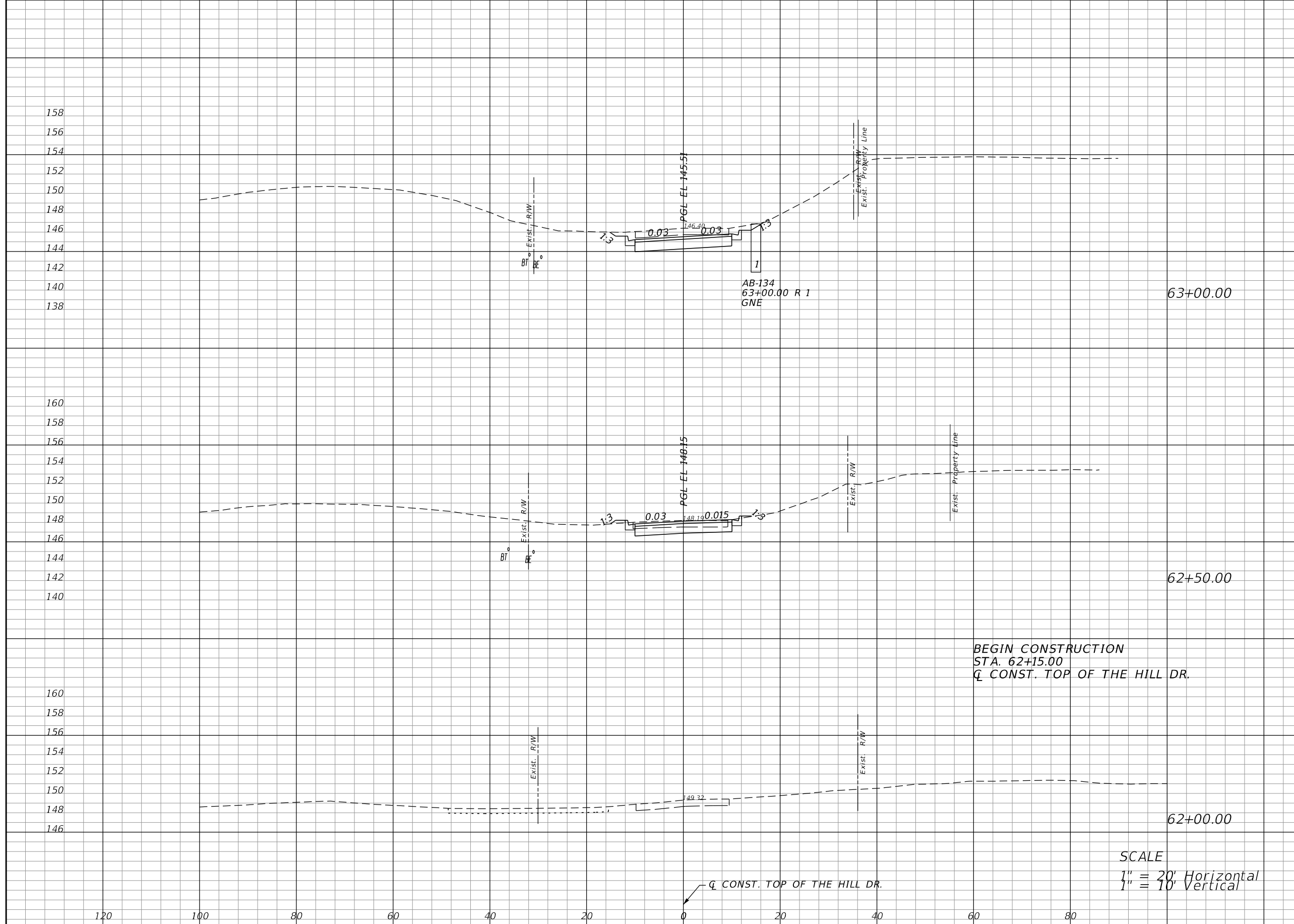
LOCHRANE ENGINEERING, INC.
 201 SOUTH BUMBY AVENUE
 ORLANDO, FLORIDA 32803
 (407) 896-3317
 FOREST W. ADKINS, P.E.
 P.E. NUMBER 56003
 CERTIFICATE OF AUTHORIZATION NO. 2856

STATE OF FLORIDA DEPARTMENT OF TRANSPORTATION		
ROAD NO.	COUNTY	FINANCIAL PROJECT ID
46	LAKE	238275-3-52-01

CROSS SECTIONS
ROUND LAKE ROAD NORTH

SHEET NO.
 164

NOTICE: THE OFFICIAL RECORD OF THIS SHEET IS THE ELECTRONIC FILE SIGNED AND SEALED UNDER RULE 61G15-23.003, F.A.C.



Regular		Exc.		Embankment	
A	V	A	V	A	V
37	50	0	1	0	1
17	11	1	1	0	0
0	0	0	0	0	0

BEGIN CONSTRUCTION
 STA. 62+15.00
 Q CONST. TOP OF THE HILL DR.

SCALE
 1" = 20' Horizontal
 1" = 10' Vertical

REVISIONS			
DATE	DESCRIPTION	DATE	DESCRIPTION

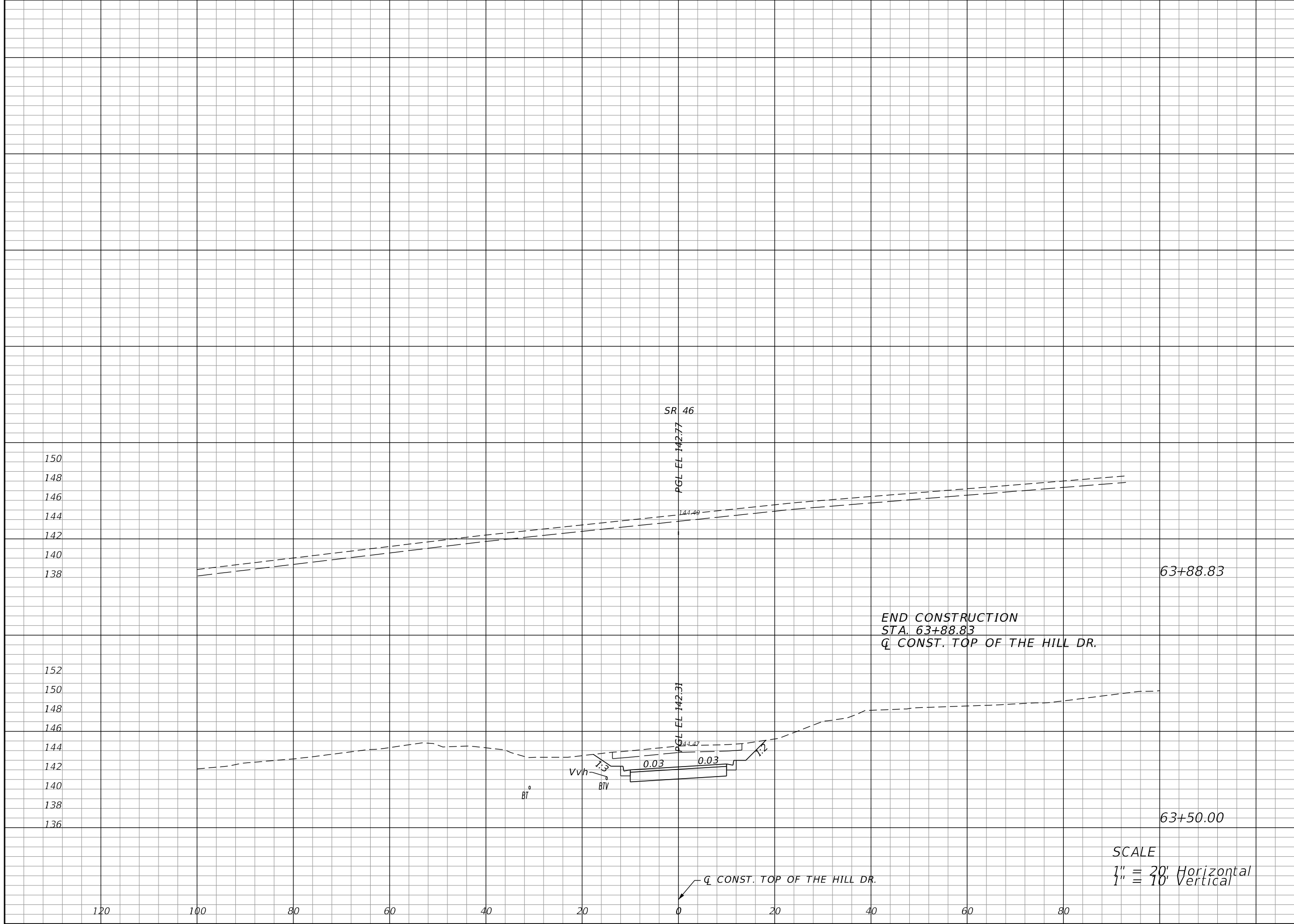
LOCHRANE ENGINEERING, INC.
 201 SOUTH BUMBY AVENUE
 ORLANDO, FLORIDA 32803
 (407) 896-3317
 FOREST W. ADKINS, P.E.
 P.E. NUMBER 56003
 CERTIFICATE OF AUTHORIZATION NO. 2856

STATE OF FLORIDA DEPARTMENT OF TRANSPORTATION		
ROAD NO.	COUNTY	FINANCIAL PROJECT ID
46	LAKE	238275-3-52-01

**CROSS SECTIONS
 TOP OF THE HILL DRIVE**

SHEET NO.
 165

NOTICE: THE OFFICIAL RECORD OF THIS SHEET IS THE ELECTRONIC FILE SIGNED AND SEALED UNDER RULE 61G15-23.003, F.A.C.



Regular		Exc.		Embankment	
A	V	A	V	A	V
0	52	0	0	0	0
72	101	0	0	0	0

SCALE
 1" = 20' Horizontal
 1" = 10' Vertical

REVISIONS			
DATE	DESCRIPTION	DATE	DESCRIPTION

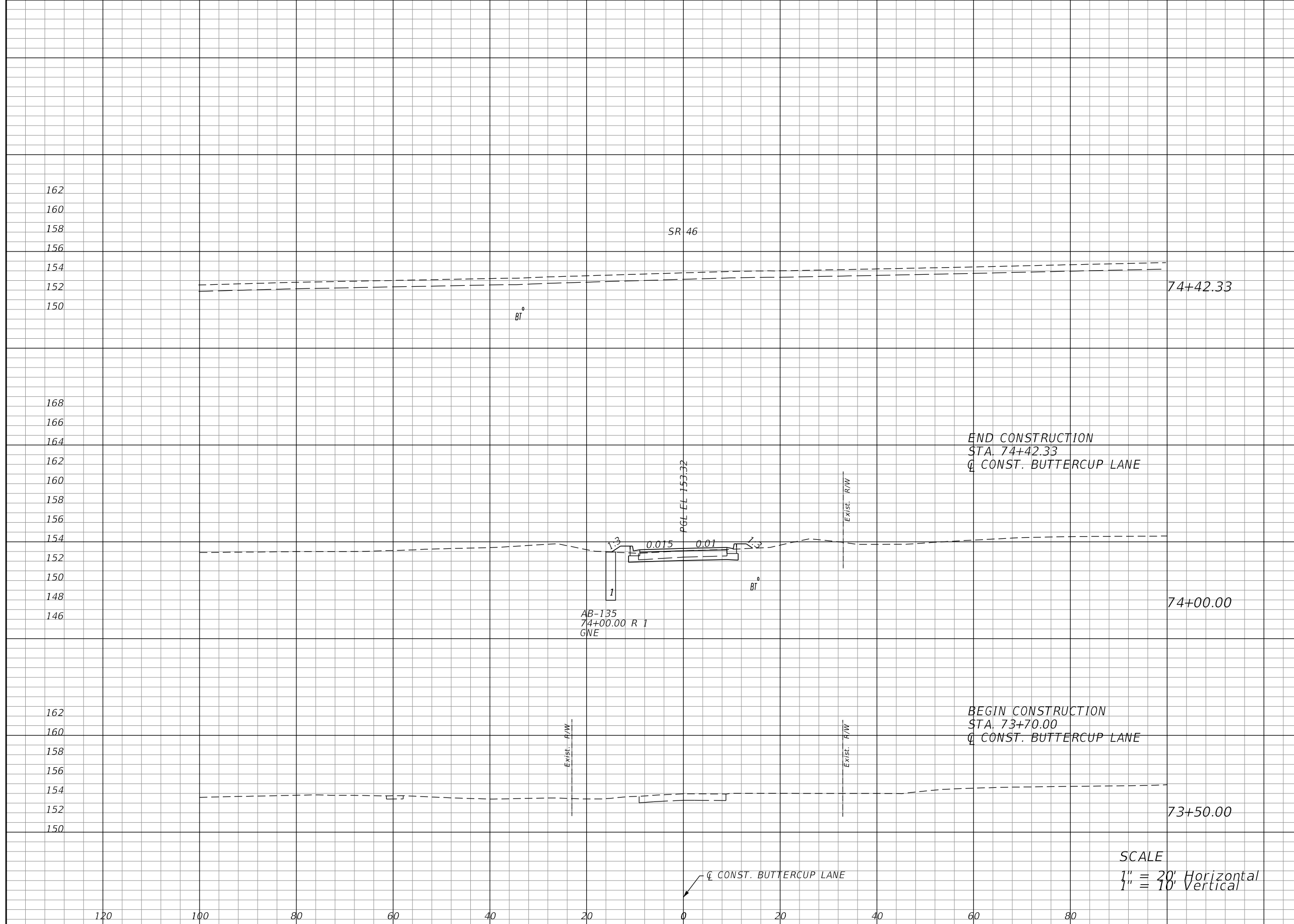
LOCHRANE ENGINEERING, INC.
 201 SOUTH BUMBY AVENUE
 ORLANDO, FLORIDA 32803
 (407) 896-3317
 FOREST W. ADKINS, P.E.
 P.E. NUMBER 56003
 CERTIFICATE OF AUTHORIZATION NO. 2856

STATE OF FLORIDA DEPARTMENT OF TRANSPORTATION		
ROAD NO.	COUNTY	FINANCIAL PROJECT ID
46	LAKE	238275-3-52-01

**CROSS SECTIONS
TOP OF THE HILL DRIVE**

SHEET NO.
166

NOTICE: THE OFFICIAL RECORD OF THIS SHEET IS THE ELECTRONIC FILE SIGNED AND SEALED UNDER RULE 61G15-23.003, F.A.C.



Regular		Exc.		Embankment	
A	V	A	V	A	V
0		0		0	
20	16	2	2	2	1
0		0		0	

SCALE
 1" = 20' Horizontal
 1" = 10' Vertical

REVISIONS			
DATE	DESCRIPTION	DATE	DESCRIPTION

LOCHRANE ENGINEERING, INC.
 201 SOUTH BUMBY AVENUE
 ORLANDO, FLORIDA 32803
 (407) 896-3317
 FOREST W. ADKINS, P.E.
 P.E. NUMBER 56003
 CERTIFICATE OF AUTHORIZATION NO. 2856

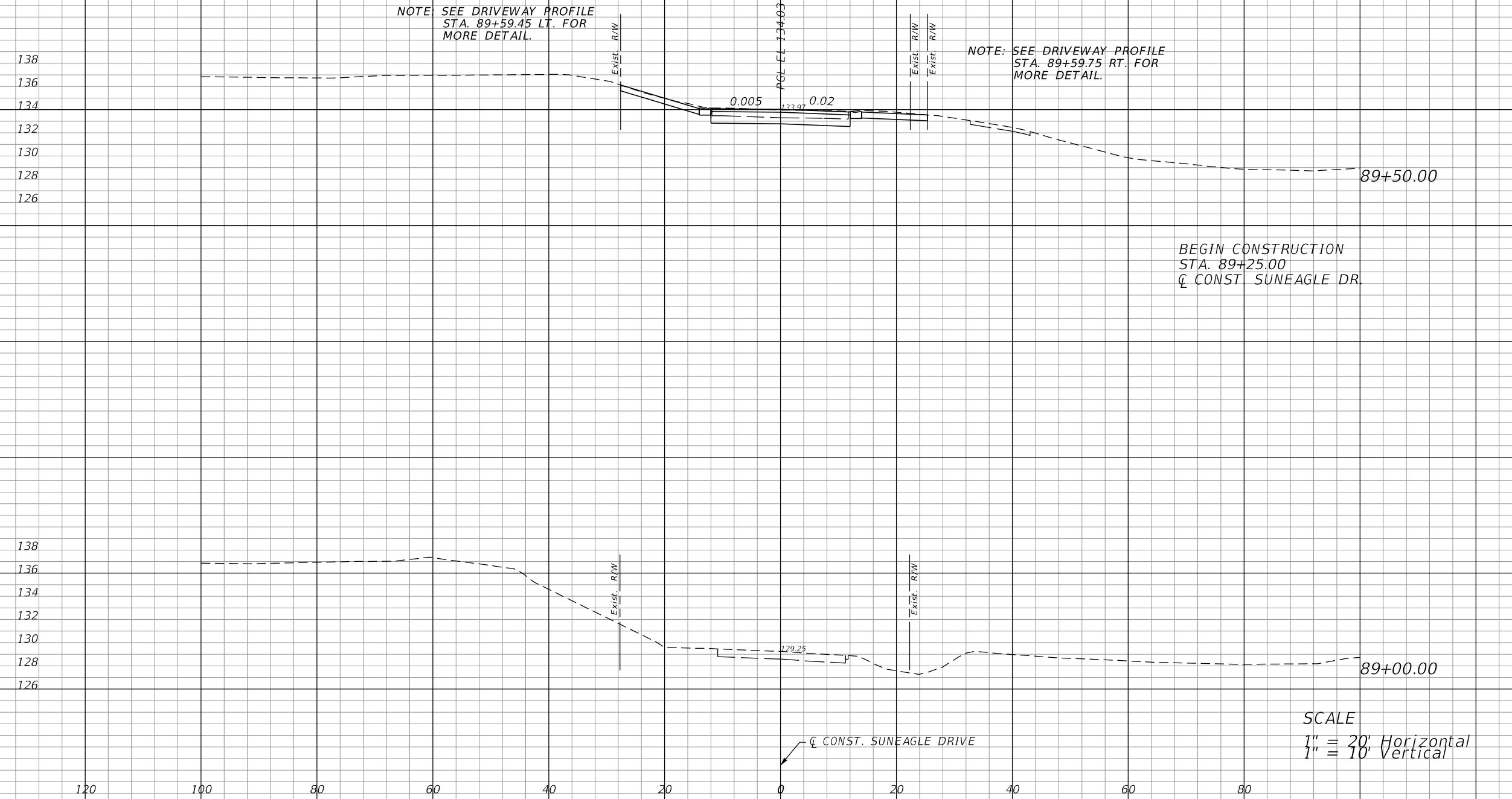
STATE OF FLORIDA DEPARTMENT OF TRANSPORTATION		
ROAD NO.	COUNTY	FINANCIAL PROJECT ID
46	LAKE	238275-3-52-01

**CROSS SECTIONS
 BUTTERCUP LANE**

SHEET NO.
 167

NOTICE: THE OFFICIAL RECORD OF THIS SHEET IS THE ELECTRONIC FILE SIGNED AND SEALED UNDER RULE 61G15-23.003, F.A.C.

Regular		Exc.		Embankment	
A	V	A	V	A	V



38	18	0	0
0	0	0	0

SCALE
 1" = 20' Horizontal
 1" = 10' Vertical

REVISIONS			
DATE	DESCRIPTION	DATE	DESCRIPTION

LOCHRANE ENGINEERING, INC.
 201 SOUTH BUMBY AVENUE
 ORLANDO, FLORIDA 32803
 (407) 896-3317
 FOREST W. ADKINS, P.E.
 P.E. NUMBER 56003
 CERTIFICATE OF AUTHORIZATION NO. 2856

STATE OF FLORIDA DEPARTMENT OF TRANSPORTATION		
ROAD NO.	COUNTY	FINANCIAL PROJECT ID
46	LAKE	238275-3-52-01

**CROSS SECTIONS
SUNEAGLE DRIVE**

SHEET NO.
168

NOTICE: THE OFFICIAL RECORD OF THIS SHEET IS THE ELECTRONIC FILE SIGNED AND SEALED UNDER RULE 61G15-23.003, F.A.C.

