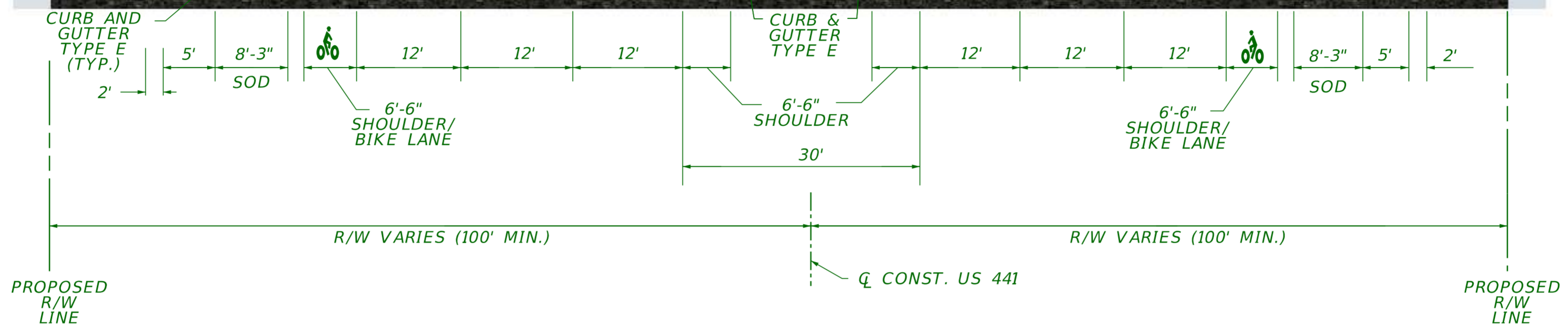
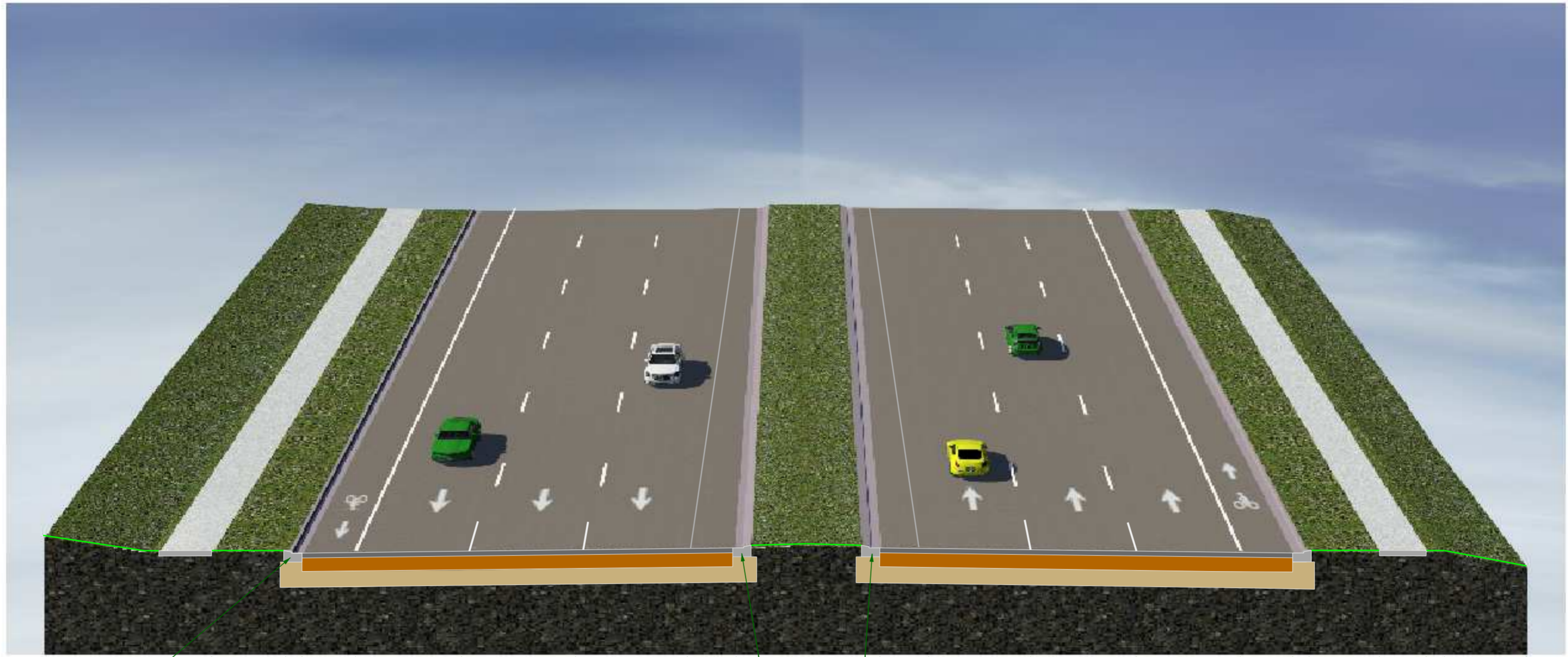




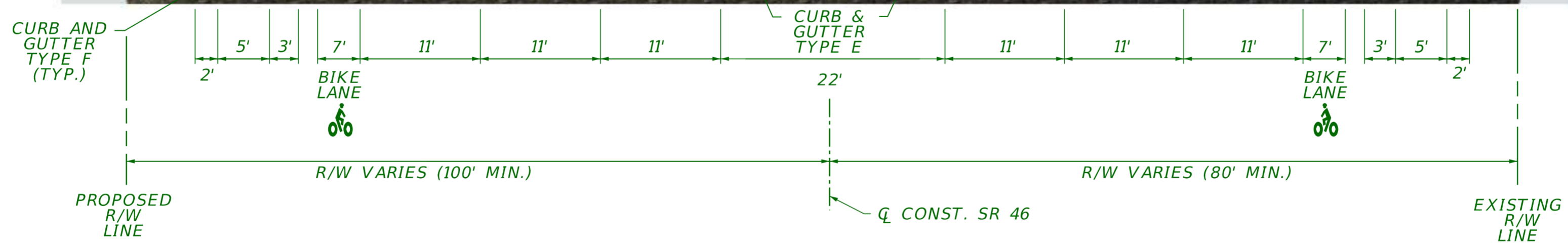
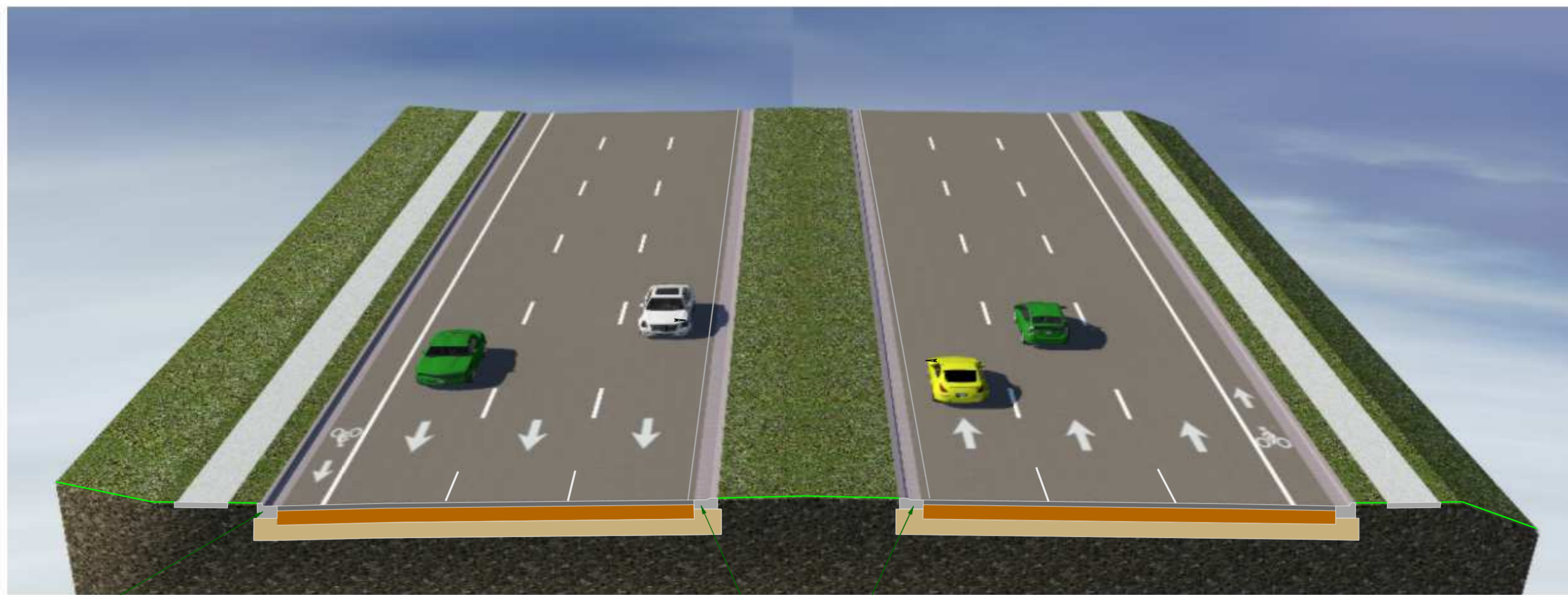
**WEEKIYA PARKWAY**  
Completing Central Florida's Beltway



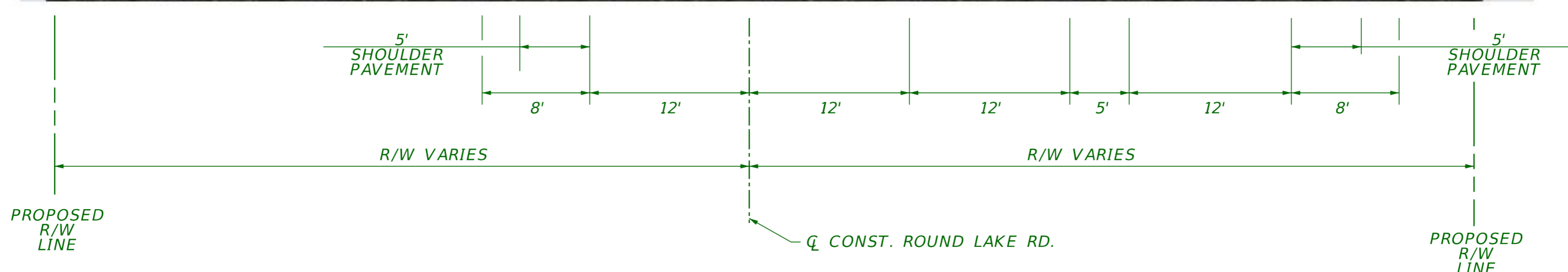
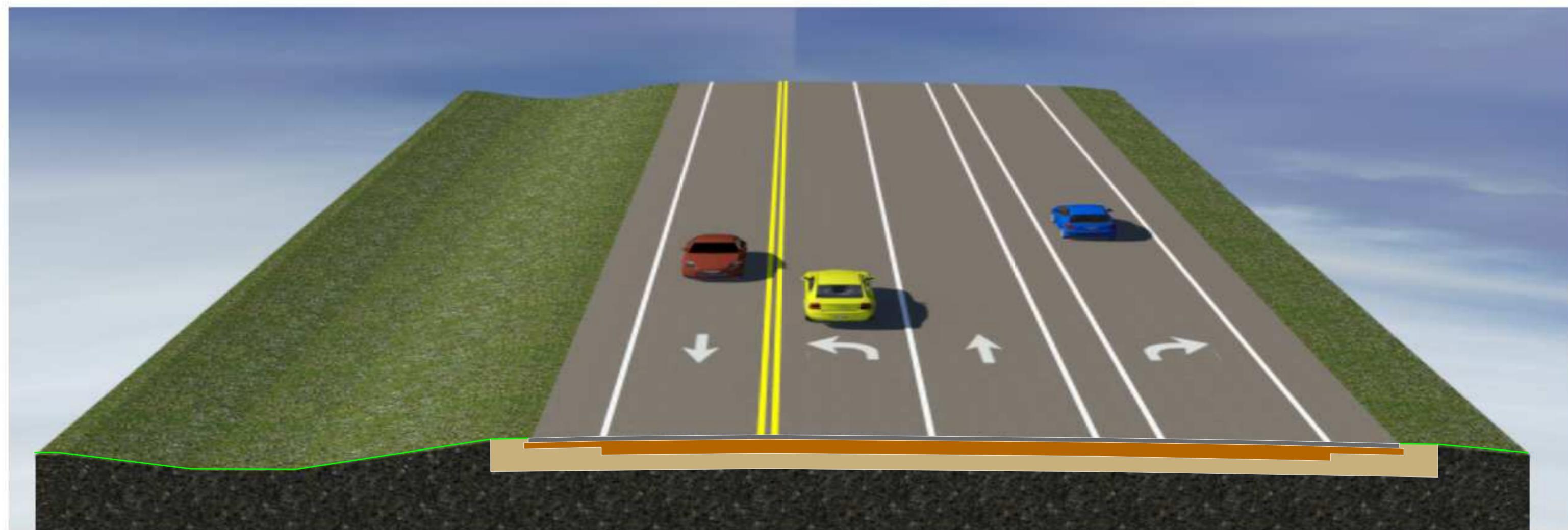
**SECTION 3A AND 3B TYPICAL SECTIONS  
JANUARY 2016  
100% PLANS - SUBJECT TO CHANGE**



**US 441 FROM NORTH OF CSX RR  
TO SOUTH OF LINCOLN AVENUE**



**SR 46 FROM WEST OF US 441  
TO EAST OF ROUND LAKE ROAD**



**ROUND LAKE ROAD FROM  
SOUTH OF SR 46 TO  
NORTH OF SR 46**